

Standard jaw pullers TMMP series

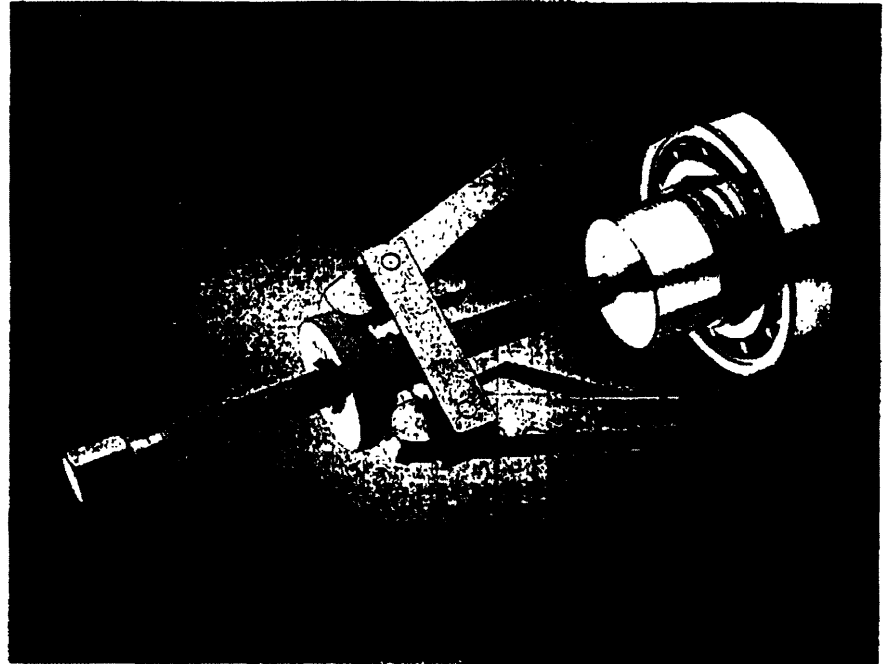
Versatile two and three arm mechanical pullers



▲ TMMP 3x230 dismounting a bearing

- Range of five different jaw pullers with two or three arms
- Maximum nominal span from 65 to 300 mm (2.6 to 11.8 in).
- Cone system for automatic centring and secure positioning of arms.
- Strong springs to keep arms apart for easy operation.
- Hardened, high quality carbon steel.

The easy and effective way to dismount small to medium size bearings is to use a mechanical puller. Using a SKF puller helps to ensure that no damage is caused to the bearing or to the bearing seating in the removal operation. SKF standard jaw pullers offer you easy and safe jaw puller operation.

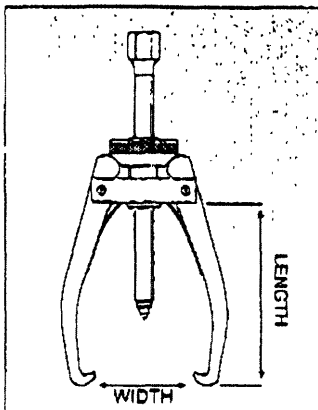


▲ TMMP 2x170



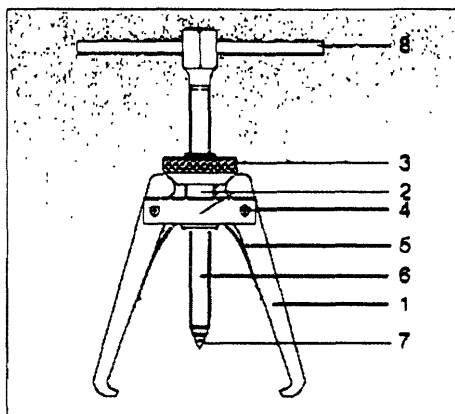
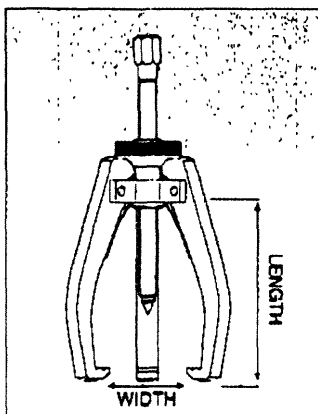
◀ TMMP 3x300

Standard jaw pullers



Ordering details / technical data

Designation	No. of arms	Width of grip		Effective length of arms		Maximum withdrawal force		Weight	
		mm	in	mm	in	kN	lbf	kg	lb
TMMP 2x65	2	65	2,6	60	2,4	6,0	1.340	0,4	0,9
TMMP 2x170	2	170	6,7	135	5,3	18,0	4.030	1,9	4,2
TMMP 3x185	3	185	7,3	135	5,3	24,0	5.380	2,5	5,5
TMMP 3x230	3	230	9,1	210	8,3	34,0	7.610	5,5	12
TMMP 3x300	3	300	11,8	240	9,4	50,0	11.200	9,0	20



Part ordering details

No.	Designation	Description
1	TMMP ...-1	Arm
2	TMMP ...-2	Stand & nut
3	TMMP ...-3	Cone
4	TMMP ...-9	Journal
5	TMMP ...-5	Blade springs (set)
6	TMMP ...-6	Spindle with centre nib
7	TMMP ...-7	Centre nib
8	TMMP ...-8	Bar (only TMMP 2x65)

PULLERS

