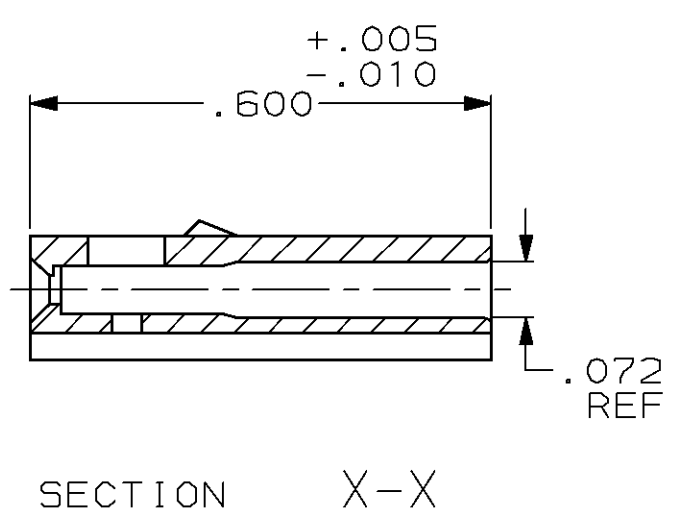
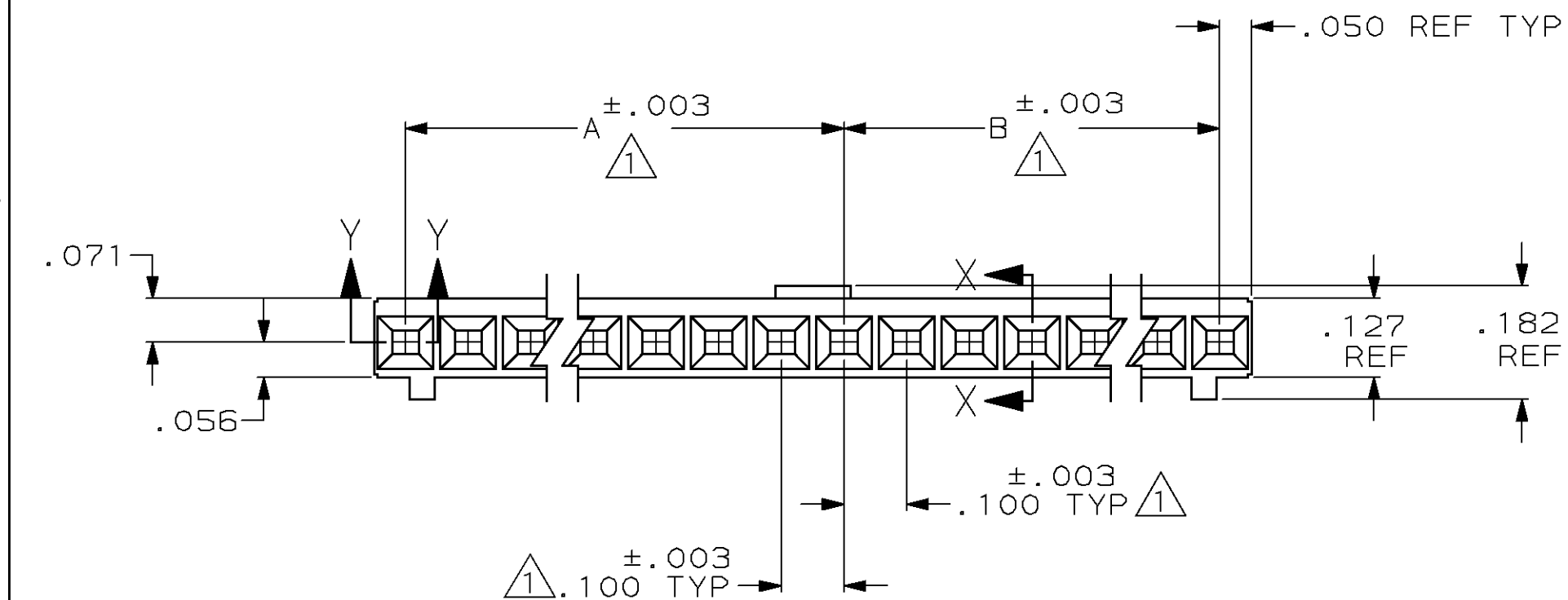
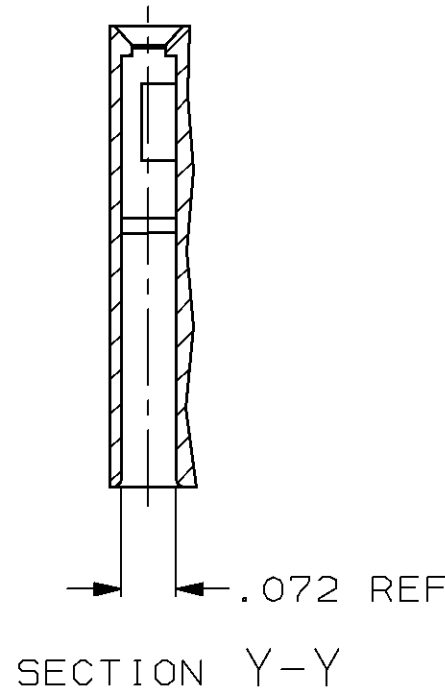
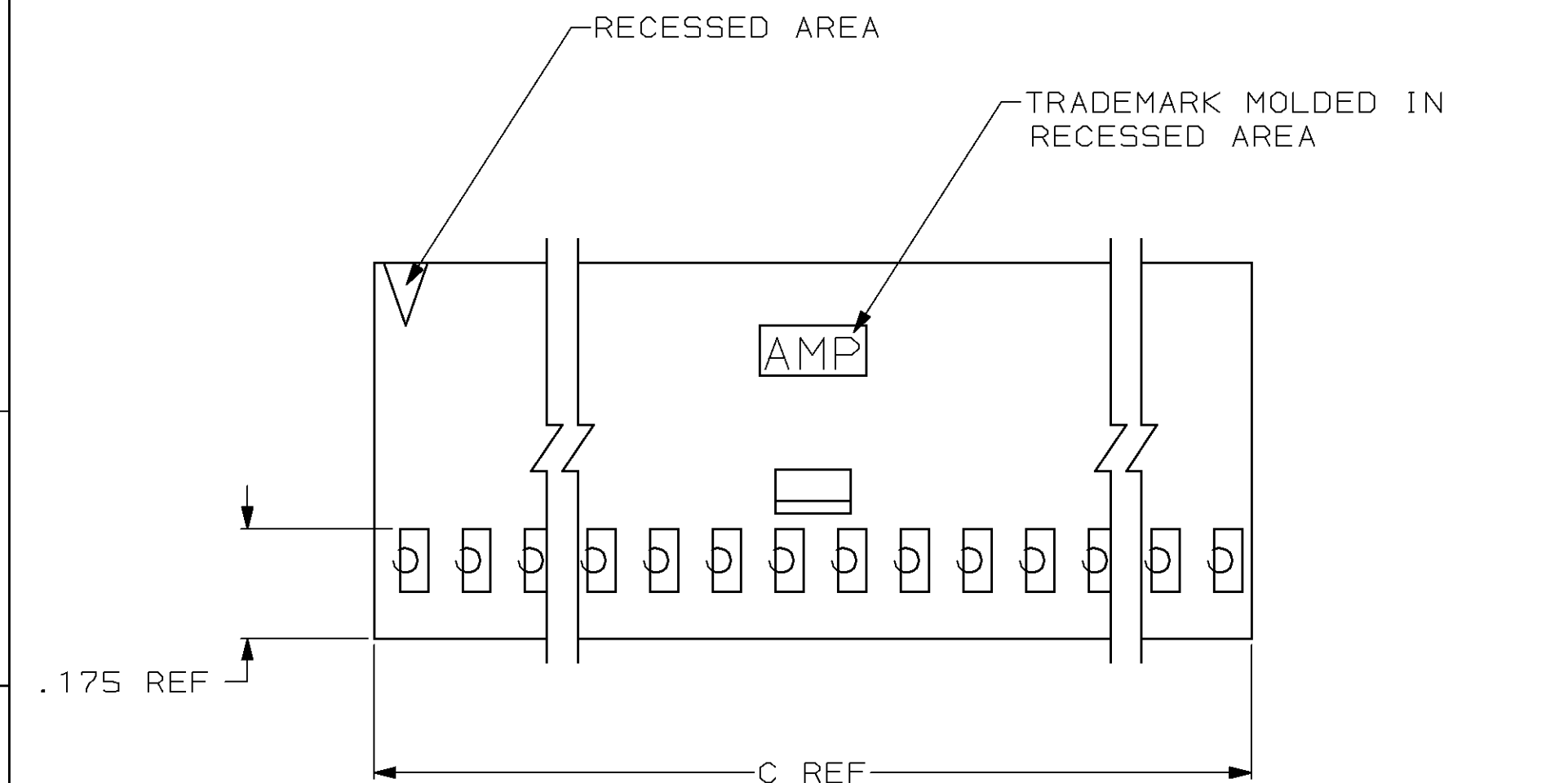


THIS DRAWING IS UNPUBLISHED. RELEASED FOR PUBLICATION, 19  
 © COPYRIGHT 19 BY AMP INCORPORATED. ALL INTERNATIONAL RIGHTS RESERVED.

LOC	DIST	P	F	REVISIONS				
				ZONE	LTR	DESCRIPTION	DATE	APPD
AD	39			C		REV LOC & DIST AD-4171	3-90	BF
				D		OBS PER 0010-0743-93	9/14/93	PS
				E		OBS PER 0010-1031-93	12-7-93	PS
				F		OBS PER 0010-1049-93	12-7-93	PS
				G		REACT. -11 PER 0010-1231-94	8-23-94	PS
				H		REACT. -26 PER 0010-1273-94	8-23-94	PS
				J		REV PER 0010-0641-95	5-18-95	PS
				K		REV PER 0010-0187-95	1-24-96	SAS
				L		REV PER 0310-0074-97	3-5-97	JS
				M		REV PER 0310-0484-97	2-6-98	BS



3.600	1.700	1.800	36	3-102241-4
3.500	1.700	1.700	35	3-102241-3
3.400	1.600	1.700	34	3-102241-2
3.300	1.600	1.600	33	3-102241-1
3.200	1.500	1.600	32	3-102241-0
3.100	1.500	1.500	31	2-102241-9
3.000	1.400	1.500	30	2-102241-8
2.900	1.400	1.400	29	2-102241-7
2.800	1.300	1.400	28	2-102241-6
2.700	1.300	1.300	27	2-102241-5
2.600	1.200	1.300	26	2-102241-4
2.500	1.200	1.200	25	2-102241-3
2.400	1.100	1.200	24	2-102241-2
2.300	1.100	1.100	23	2-102241-1
2.200	1.000	1.100	22	2-102241-0
2.100	1.000	1.000	21	1-102241-9
2.000	.900	1.000	20	1-102241-8
1.900	.900	.900	19	1-102241-7
1.800	.800	.900	18	1-102241-6
1.700	.800	.800	17	1-102241-5
1.600	.700	.800	16	1-102241-4
1.500	.700	.700	15	1-102241-3
1.400	.600	.700	14	1-102241-2
1.300	.600	.600	13	1-102241-1
1.200	.500	.600	12	1-102241-0
1.100	.500	.500	11	102241-9
1.000	.400	.500	10	102241-8
.900	.400	.400	9	102241-7
.800	.300	.400	8	102241-6
.700	.300	.300	7	102241-5
.600	.200	.300	6	102241-4
.500	.200	.200	5	102241-3
.400	.100	.200	4	102241-2
.300	.100	.100	3	102241-1

- ① CAVITY LOCATION DIMENSIONS INCREASE IN INCREMENTS OF .100 TOLERANCE NON-CUMULATIVE
- ② USE EXTRACTION TOOL 91052-1 TO REMOVE RECEPTACLE CONTACTS
- ③ OBSOLETE PART NUMBER

DO NOT SCALE PRINT. UNLESS SPECIFIED DIMENSIONS IN INCHES TOLERANCES ON:		PART NO	
2 PLC DEC ± -	3 PLC DEC ± .005	DR 8-2-78 D FABIAN	AMP INCORPORATED Harrisburg, Pa. 17105
ANGLES ± -		CHK 10-27-78 B WOLFE	
MATERIAL FLAME RETARDANT GLASS FILLED NYLON COLOR: BLACK	FINISH -	APPD 10-27-78 D LITTLE	NAME CONN HOUSING, CRIMP SNAP-IN MOD IV, SINGLE ROW, .100 CENTERS, WITH POLARIZATION & DETENTS
		APPD 10-27-78 J MULLIGAN	SIZE C
		PRODUCT SPEC -	FSCM NO 00779
		APPLICATION SPEC -	DRAWING NO 102241
		WEIGHT -	SCALE -
			SHEET 1 OF 1