

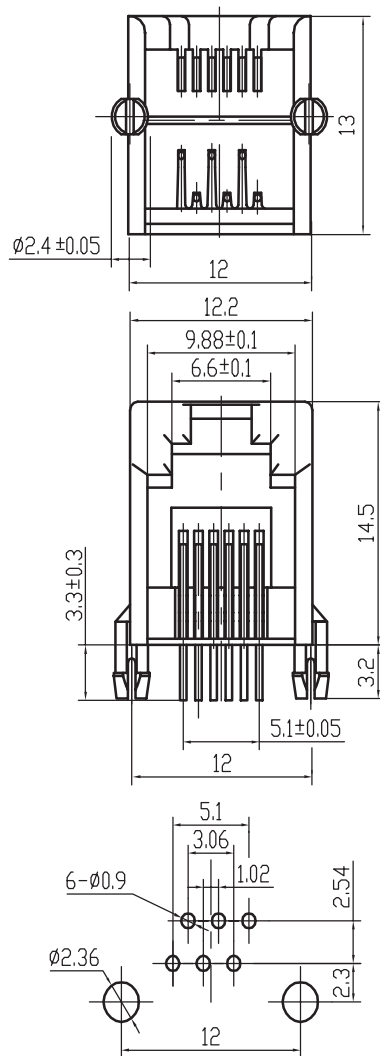
1

2

3

4

5



PCB LAYOUT - COMPONENT VIEW

## TECHNICAL CHARACTERISTICS

## MATERIAL

INSULATOR MATERIAL: GLASS FILLED PBT  
 COLOUR: BLACK  
 CONTACT MATERIAL: COPPER ALLOY  
 CONTACT TYPE: STAMPED  
 CONTACT PLATING: SELECTIVE GOLD  
 QUALITY CLASS: 500 MATING CYCLES

## ENVIRONMENTAL

OPERATING TEMPERATURE:  $-25^{\circ}\text{C}$  UP TO  $85^{\circ}\text{C}$   
 FLAMMABILITY RATING UL94-V0  
 COMPLIANCE: LEAD FREE AND ROHS

## ELECTRICAL

CURRENT RATING: 1.5 A  
 WORKING VOLTAGE: 120 VAC  
 INSULATION RESISTANCE:  $>500$  mOHM  
 DIELECTRIC WITHSTANDING VOLTAGE: 1 000 VAC/MN  
 CONTACT RESISTANCE: 20 mOHM MAX

## SOLDERING

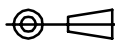
REFLOW PROCESS ONLY

## PACKAGING

TRAY

RoHS Compliant

PROJECTION:



GENERAL TOLERANCE

.X =  $\pm 0.2$ .XX =  $\pm 0.15$ 

APPROVAL: RJ

UNIT: MM

DESCRIPTION: RJ11 HORIZONTAL TAB UP

SIZE

SCALE:

WERI PART NO: 615006138421

**A4**

SHEET: 1/1

DRAW:

G			
F			
E			
D			
C			
B	05-DEC-07	MODIFICATIONS	EC
A	21-NOV-07	PDF	EC
REV	DATE	FILE	BY