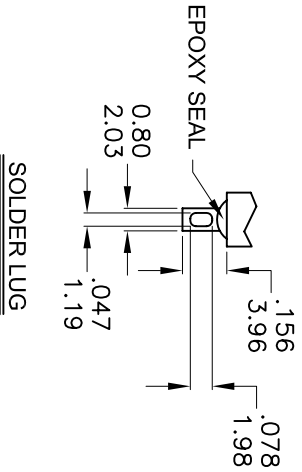


Model No.	POS.1	POS.2	POS.3
3MD3	ON	OFF	ON
Term. Comm.	2-3,5-6	2-3,5-4	2-1,5-4
SCHEMATIC			

SWITCH FUNCTION



SOLDER LUG

**SPECIFICATIONS**  
**ELECTRICAL LIFE:** 50,000 make-and-break cycles at full load.  
**CONTACT RESISTANCE:** 10m Ω max. Initial @ 2-4VDC  
 100mA for both silver and gold plated contacts.  
**INSULATION RESISTANCE:** 1,000M Ω min.  
**DIELECTRIC STRENGTH:** 1,000 V RMS@sea level.  
**OPERATING TEMPERATURE:** -30° C to 85° C.

**MATERIALS**  
**CASE:** Diallyl phthalate (DAP) (UL94v-0).  
**ACTUATOR:** Nylon, black std.  
**BUSHING:** Brass, nickel plated.  
**HOUSING:** Stainless Steel.  
**SWITCH SUPPORT:** Brass, Tin plated.  
**TERMINAL/CONTACT:** Brass, Silver or gold plated.

**RATING :**

R : 0.4 Volt-Amps(VA) max. @20V max.(AC or DC)  
 Q : 2Amps @250VAC  
 5Amps @120 VAC or 28 VDC

符號	原尺寸	修改後尺寸	變更日期
1	(A)		
2	(B)		
3	(C)		
4	(D)		
5	(E)		

<b>SCALE (比例) : 3 : 2</b>
<b>TOLERANCE (公差) :</b>
0.00 mm ± 0.25mm
0.0 mm ± 0.40mm
ANGULAR : ± 2.54 mm
FILE NAME : 3MDP0122

<b>德利威電子股份有限公司</b>		<b>DAILYWELL ELECTRONICS CO.,LTD.</b>	
TITLE 圖名	Miniature Rocker & Paddle Switches	SIZE 圖紙	A4
DWG NO. 圖號	3MD3R00000M1QE	UNIT 單位	inch mm
REV. 版本	A	DATE 日期	NOV - 14 - 2003
CHECKED BY 審核	Jack	DRAWN BY 製圖	BLUE
SHEET 張數	1 of 1		