

ECONOSWITCH—ENVIRONMENTALLY SEALED SWITCHES

Series—8530, 8531, 8532

Econoswitch Sealed Toggle Switches

FEATURES

- Environmentally sealed
- 1, 2 and 4 pole Circuitry
- One hole mounting for easy installation
- Multi-circuits
- 2 & 3 position with maintained and momentary action
- Three types of termination offered as standard

SPECIFICATIONS

- Watertight seal per MIL-STD-108E exceeds IP 66/67
- UL recognized and CSA certified
- Three standard types of terminals
 - screw 6-32 UNC-2A
 - solder lug .125 [3.17] dia. hole
 - spade .250 [6.35] x .032 [0.81] thick
- Life: 50,000 operations at rated load.
100,000 operations mechanical life.
- Temperature Range: -50°F to +150°F
(-46°C to +66°C)

CURRENT RATINGS

No. of Poles	Catalog Number	Type of Operation	28VDC			115VAC 60 or 400Hz		
			Lamp Load	Resistive Load	Inductive Load	Lamp Load	Resistive Load	Inductive Load
1	8530	Maintained Momentary	5	20	15	3	15	10
			4	15	10	2	15	7
2	8531	Maintained Momentary	7	20	15	4	15	15
			5	18	10	2	11	8
4	8532	Maintained Momentary	5	20	12	4	15	15
			4	18	10	2	11	8

For the UL/CSA ratings see page 72

STANDARD LEVER SELECTION TABLE

CIRCUIT WITH LEVER IN...

CATALOG NUMBER

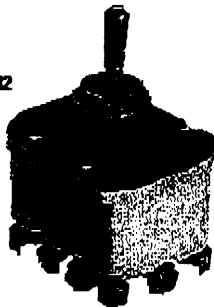
8530



8531

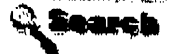


8532



Up Position	Center Position	Down Position (Keyway)	Screw Terminals			Solder Lug Terminals			Spade Terminals		
ONE POLE											
ON	OFF	ON	8530K1			8530K91			8530K31		
ON	NONE	OFF	K9			K99			K39		
ON	NONE	ON	K4			K94			K34		
ON	OFF	NONE	K6			K96			K36		
ON	OFF*	NONE	K8			K98			K38		
ON	NONE	ON*	8530K5			8530K95			8530K35		
* ON	OFF	ON*	K2			K92			K32		
NONE	OFF	ON*	K7			K97			K37		
ON	NONE	OFF*	K10			K910			K310		
OFF	NONE	ON*	K11			K911			K311		
ON	OFF	ON*	8530K3			8530K93			8530K33		
* ON	ON	NONE	K12			K912			K312		
ON	ON	NONE	K13			K913			K313		
ON	ON	ON	K14			K914			K314		
ON	ON	ON*	K15			K915			K315		
* ON	ON	ON*	8531K16			8531K916			8531K316		
ON	ON	ON*	K17			K917			K317		
ON	ON	ON*	K18			K918			K318		
* ON	ON	ON*	K19			K919			K319		
TWO POLE											
ON	OFF	ON	8531K1			8531K91			8531K31		
ON	NONE	OFF	K9			K99			K39		
ON	NONE	ON	K4			K94			K34		
ON	OFF	NONE	K6			K96			K36		
ON	OFF*	NONE	K8			K98			K38		
ON	NONE	ON*	8531K5			8531K95			8531K35		
* ON	OFF	ON*	K2			K92			K32		
NONE	OFF	ON*	K7			K97			K37		
ON	NONE	OFF*	K10			K910			K310		
OFF	NONE	ON*	K11			K911			K311		
ON	OFF	ON*	8531K3			8531K93			8531K33		
* ON	ON	NONE	K12			K912			K312		
ON	ON	NONE	K13			K913			K313		
ON	ON	ON	K14			K914			K314		
ON	ON	ON*	K15			K915			K315		
* ON	ON	ON*	8531K16			8531K916			8531K316		
ON	ON	ON*	K17			K917			K317		
ON	ON	ON*	K18			K918			K318		
* ON	ON	ON*	K19			K919			K319		
FOUR POLE											
ON	OFF	ON	8532K1			8532K91			8532K31		
ON	NONE	OFF	K9			K99			K39		
ON	NONE	ON	K4			K94			K34		
ON	OFF	NONE	K6			K96			K36		
ON	OFF*	NONE	K8			K98			K38		
ON	NONE	ON*	8532K5			8532K95			8532K35		
* ON	OFF	ON*	K2			K92			K32		
NONE	OFF	ON*	K7			K97			K37		
ON	NONE	OFF*	K10			K910			K310		
OFF	NONE	ON*	K11			K911			K311		
ON	OFF	ON*	8532K3			8532K93			8532K33		
* ON	ON	NONE	K12			K912			K312		
ON	ON	NONE	K13			K913			K313		
ON	ON	ON	K15			K915			K315		
ON	ON	ON*	K16			K916			K316		
* ON	ON	ON*	K17			K917			K317		

* Momentary contact.
See Page 73 for circuit diagrams.

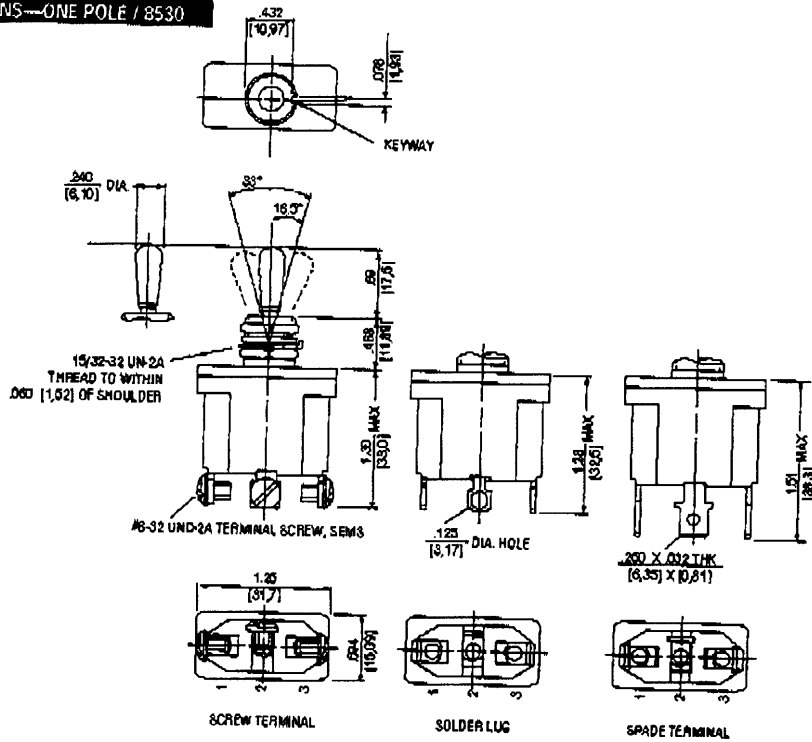


ECONOSWITCH—ENVIRONMENTALLY SEALED SWITCHES

Series—8530, 8531, 8532

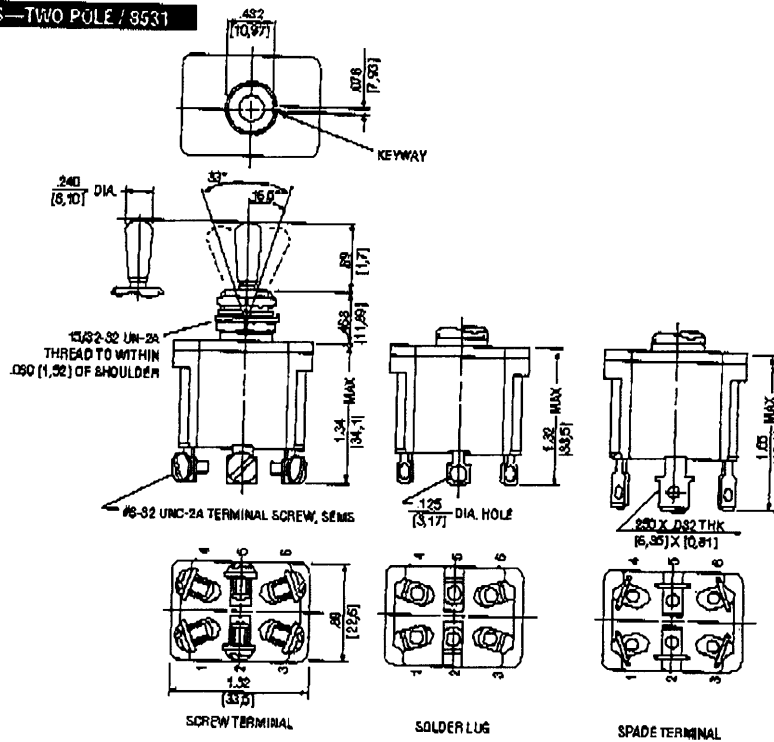
Econoswitch Sealed Toggle Switches

MOUNTING DIMENSIONS—ONE POLE / 8530



Terminal Identification

MOUNTING DIMENSIONS—TWO POLE / 8531



Terminal Identification

STANDARD
0.00 - inches
[0.0] = mm

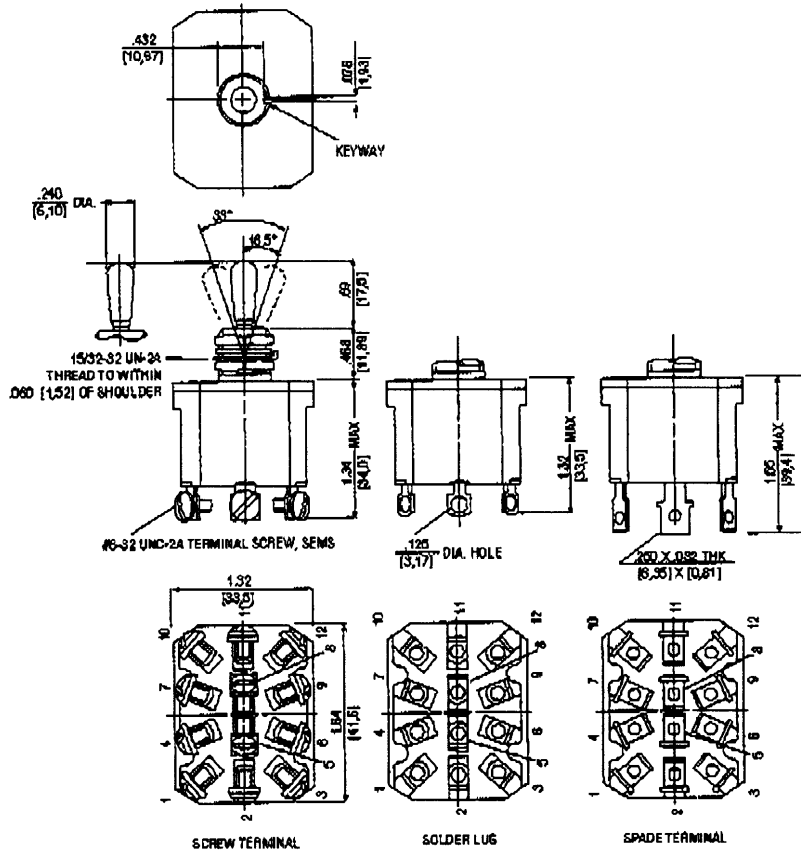
Mounting dimensions for reference only.
Non-functional terminals not supplied.

ECONOSWITCH—ENVIRONMENTALLY SEALED SWITCHES

Series—8530, 8531, 8532

Econoswitch Sealed Toggle Switches

MOUNTING DIMENSIONS—FOUR POLE / 8532



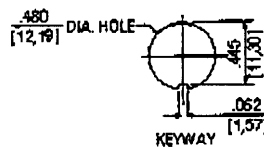
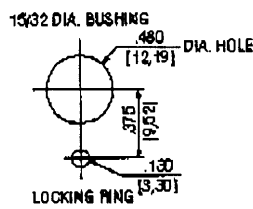
Terminal Identification

Non-functional terminals not supplied.

OPTIONS/ACCESSORIES

- Special mounting hardware
- Mounting hardware furnished assembled
- Terminal screws furnished assembled
- Special circuits
- Panel seal, Part Number 32-341
- Custom wire harnesses
- Mating connector available for two poles with spade terminal
- External jumpers available
 - bussing jumper
 - reversing jumpers

PANEL CUTOUT DIMENSIONS



STANDARD
0.00 - inches
[0.0] = mm

Mounting dimensions for reference only.