

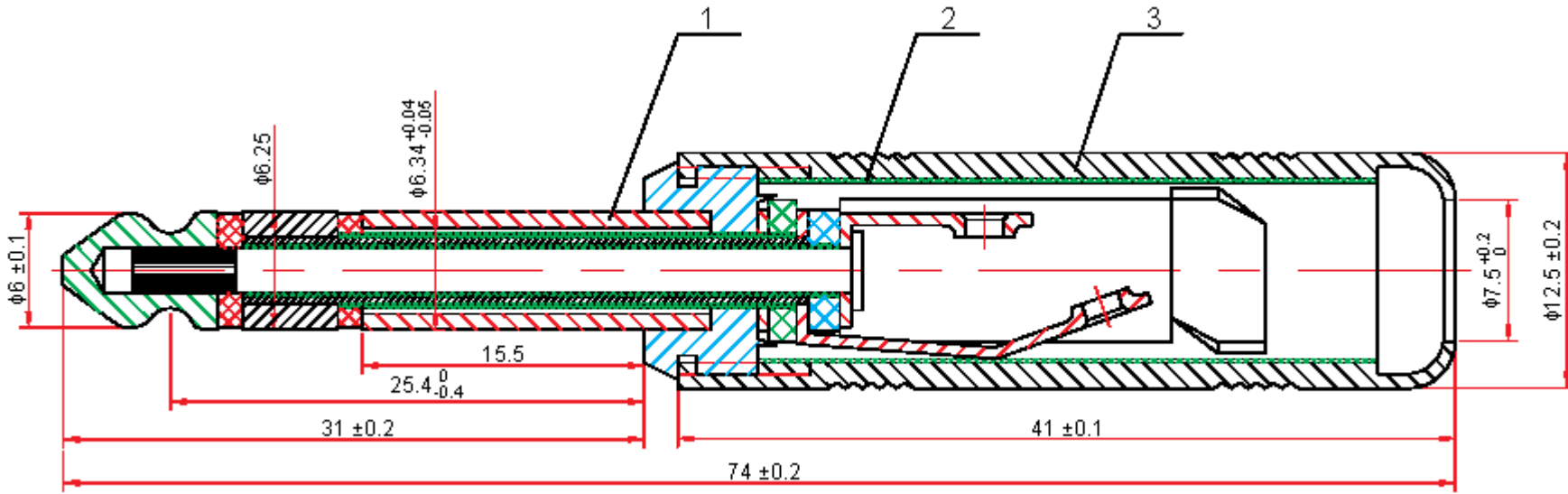


PART NO.

SP101H

REVISIONS

ECN #	REV	DESCRIPTION	DRAWN	DATE	CHECKD	DATE	APPRVD	DATE
-	A	RELEASED	Ramya	13/8/09	Geetha	13/8/09	Farnell	27/8/09



Dimensions: Millimetres

The terminal plating silver, thickness 0.5µm (SOLDER).

Specifications

Item	Description	Material	Plating	Part Number
1	Ø6.3 Stereo Plug	-	-	SP101H
2	Plastic Tube	PP	Ø9.6 x 32	
3	Die-cast Shell	ZZnA14-1	Nickel	

<http://www.farnell.com>

<http://www.newark.com>

<http://www.cpc.co.uk>

This data sheet and its contents (the "Information") belong to the Premier Farnell Group (the "Group") or are licensed to it. No licence is granted for the use of it other than for information purposes in connection with the products to which it relates. No licence of any intellectual property rights is granted. The Information is subject to change without notice and replaces all data sheets previously supplied. The Information supplied is believed to be accurate but the Group assumes no responsibility for its accuracy or completeness, any error in or omission from it or for any use made of it. Users of this data sheet should check for themselves the Information and the suitability of the products for their purpose and not make any assumptions based on information included or omitted. Liability for loss or damage resulting from any reliance on the Information or use of it (including liability resulting from negligence or where the Group was aware of the possibility of such loss or damage arising) is excluded. This will not operate to limit or restrict the Group's liability for death or personal injury resulting from its negligence. SPC MULTICOMP is the registered trademark of the Group. © Premier Farnell plc 2009.

TOLERANCES:

UNLESS OTHERWISE SPECIFIED, DIMENSIONS ARE FOR REFERENCE PURPOSES ONLY.

DRAWN BY:	DATE:
Ramya	13/08/09
CHECKED BY:	DATE:
Geetha	13/08/09
APPROVED BY:	DATE:
Farnell	27/08/09

DRAWING TITLE:

6.3mm Plug - Stereo, Outer Diameter: 7.5mm

SIZE	DWG NO.	ELECTRONIC FILE	REV
A	M10002308	1715988-TDS_DWG	A
SCALE: NTS	U.O.M.: mm	SHEET: 1 OF 1	