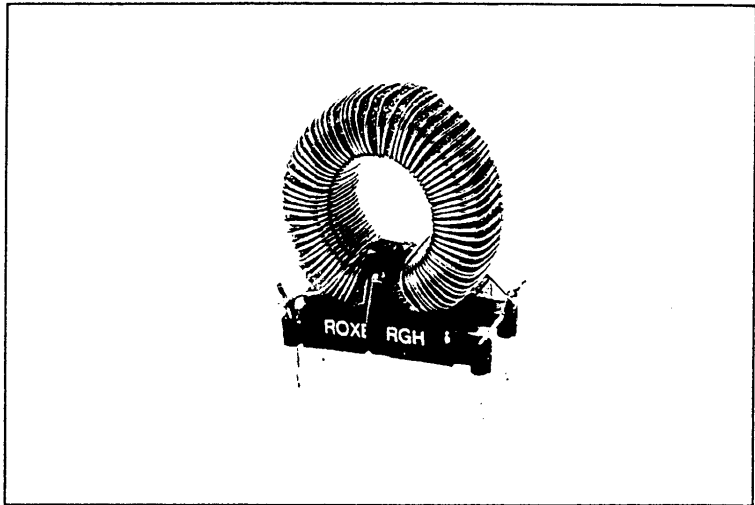


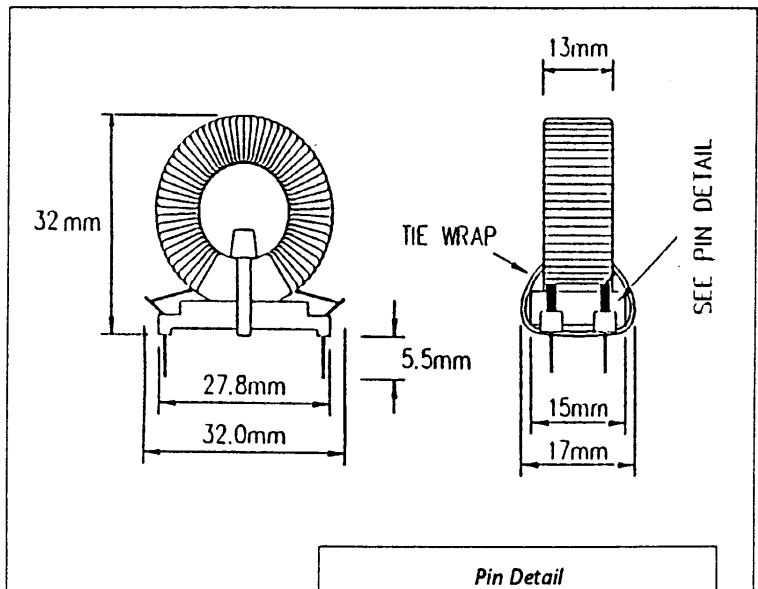
SMV SERIES - DIFFERENTIAL MODE SUPPRESSION CHOKES

The **SMV SERIES** is available from 0.5A, 2.15mH up to 8A, 0.085mH and has a maximum temperature rise of 30°C at full load. They can be used for all AC and DC applications up to line voltage and frequency.

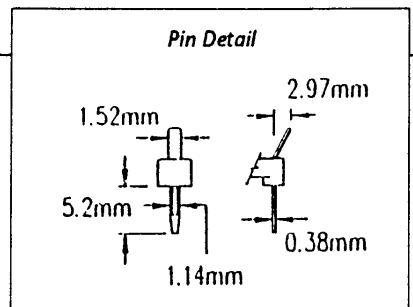
ROXBURGH also supports these products with X and Y rated suppression capacitors to enable engineers to build discreet filter networks.



| | |
|-------------------------------------|----------------|
| Rated Voltage | 250V AC |
| Line Frequency | DC to 440 Hz |
| Temperature Range | -25°C to 100°C |
| Ambient Temperature @ rated current | 45°C |

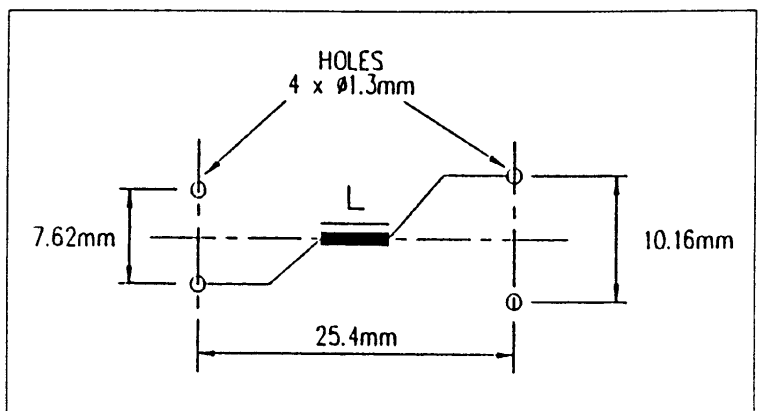


MAX HEIGHT ABOVE PCB: 32mm
MAX FOOTPRINT: 32mm X 17mm



| Type | Current (Amps) | Inductance* (mH) | Resistance* (mΩ) |
|-------|----------------|------------------|------------------|
| SMV05 | 0.5 | 2.15 | 3850 |
| SMV10 | 1.0 | 1.17 | 1470 |
| SMV20 | 2.0 | 0.50 | 370 |
| SMV30 | 3.0 | 0.26 | 140 |
| SMV40 | 4.0 | 0.21 | 100 |
| SMV60 | 6.0 | 0.12 | 40 |
| SMV80 | 8.0 | 0.085 | 25 |

MOUNTING DETAIL VIEWED FROM COMPONENT SIDE



*(Per phase)