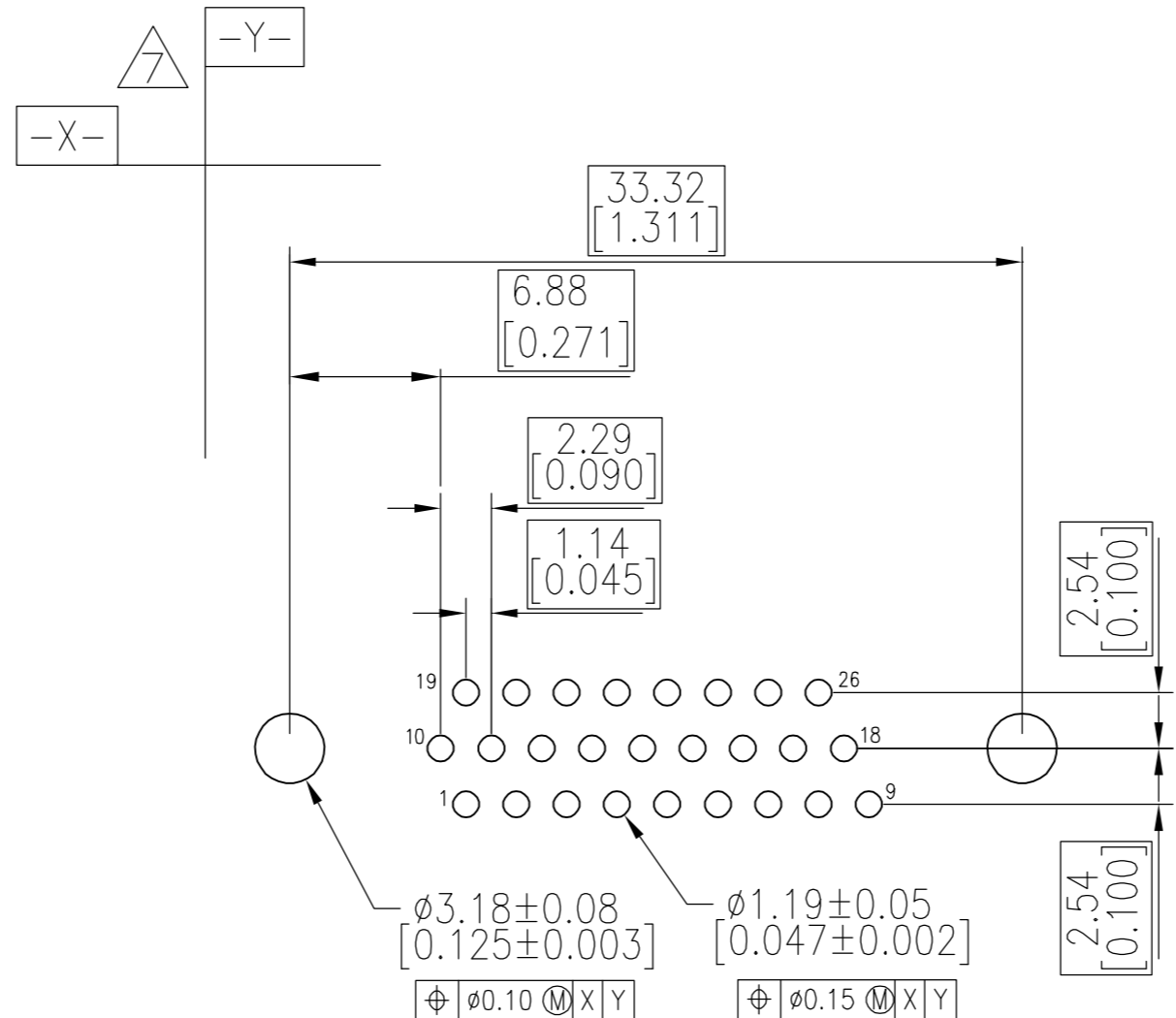
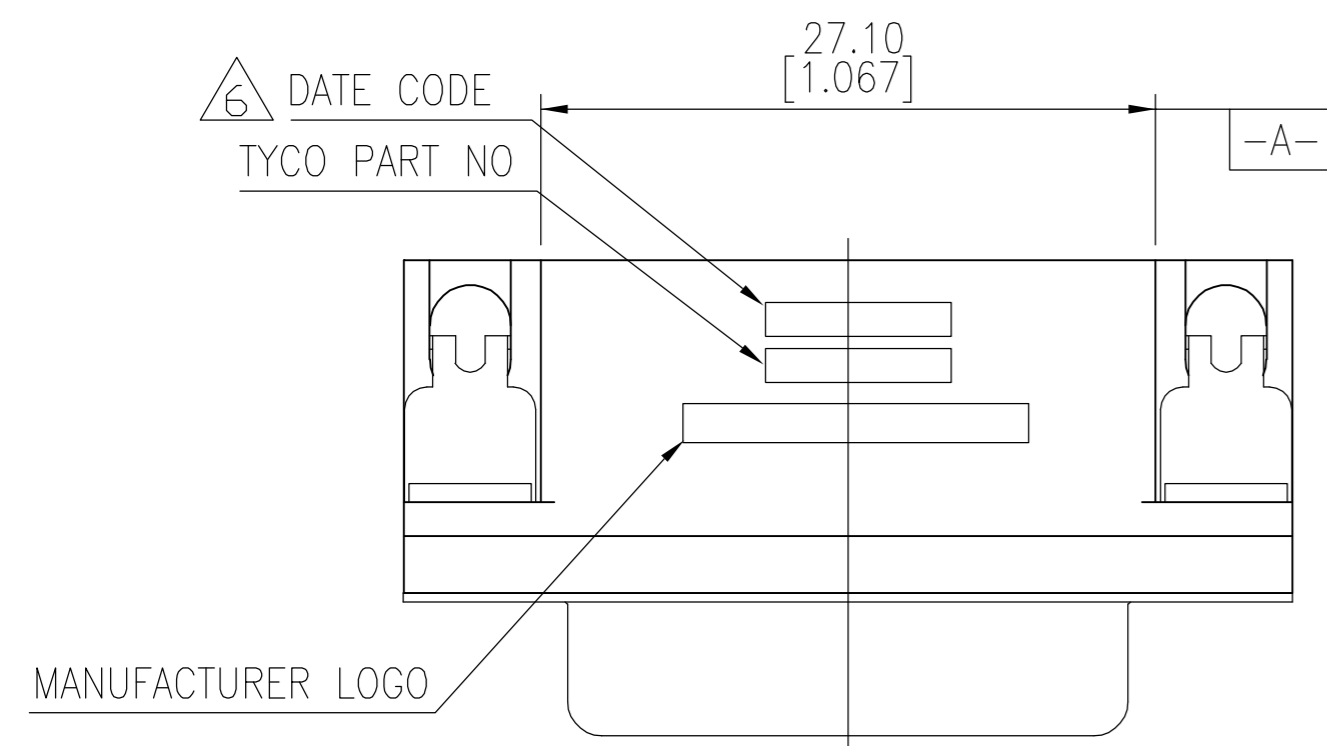


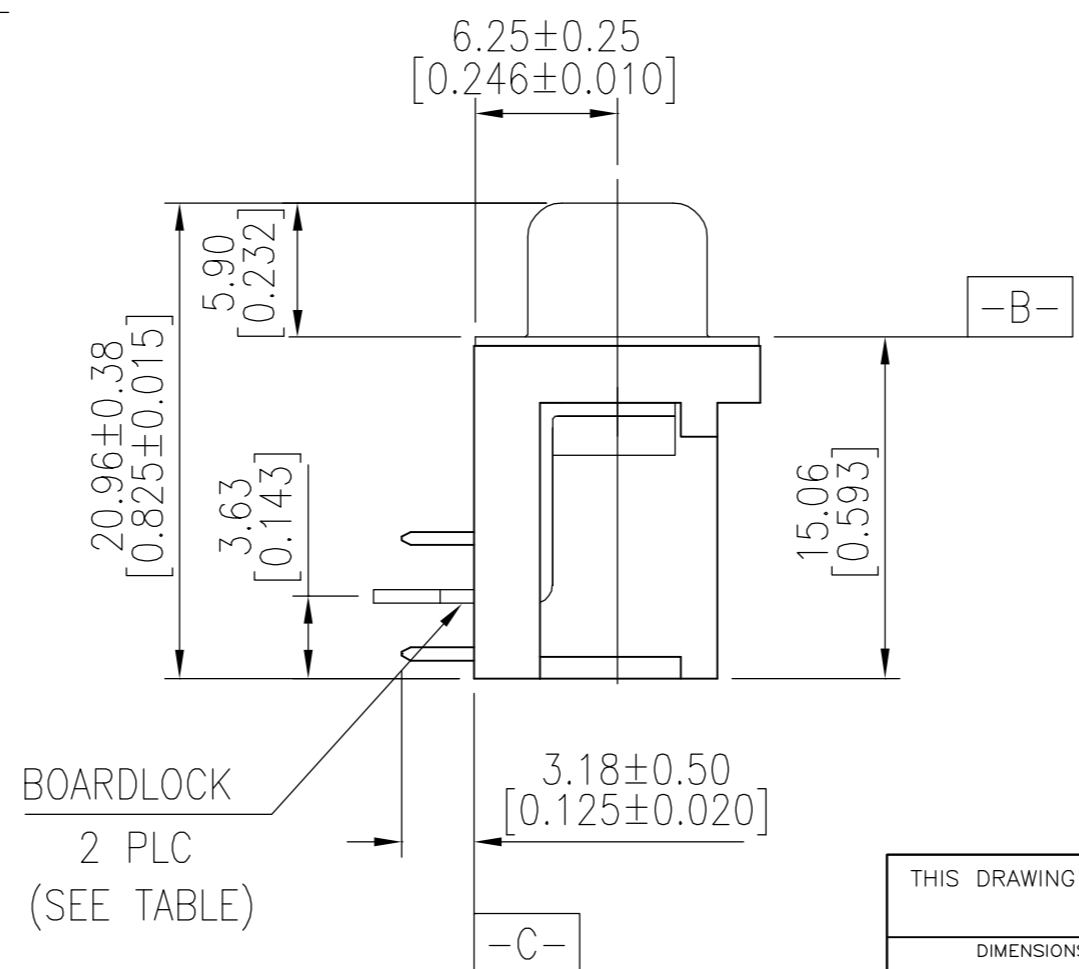
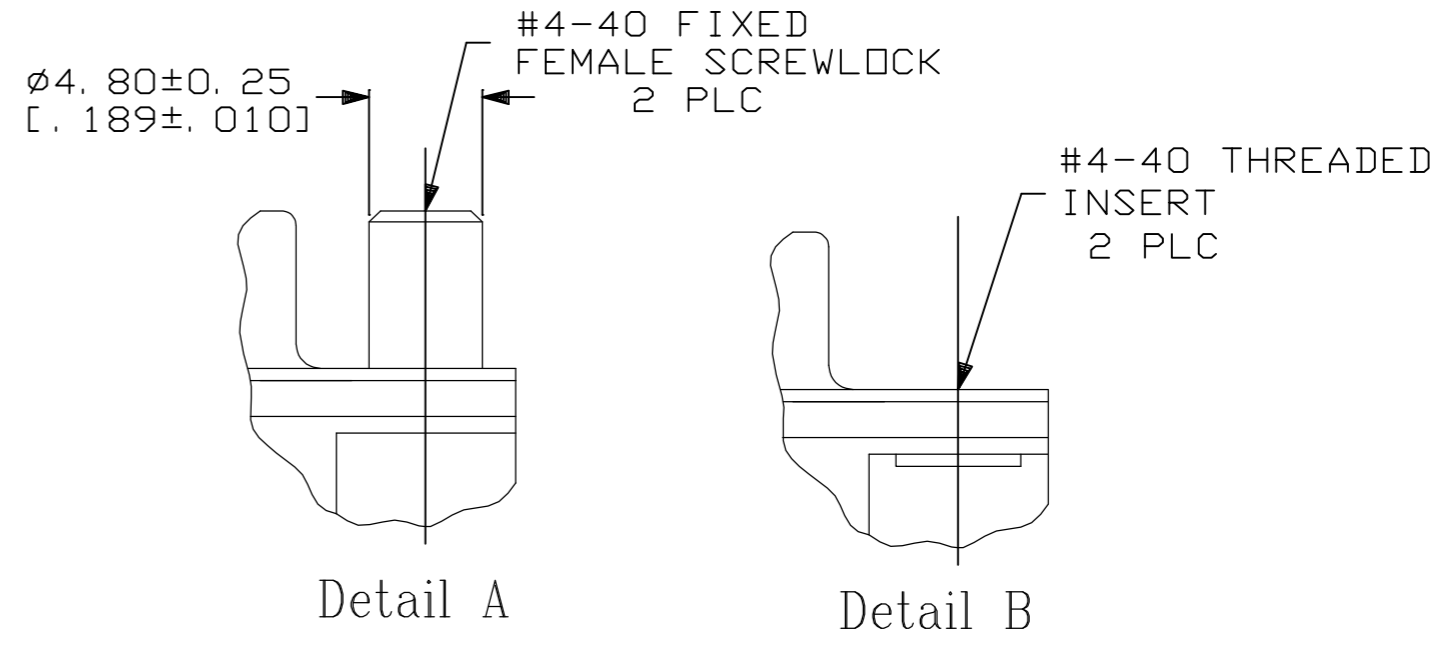
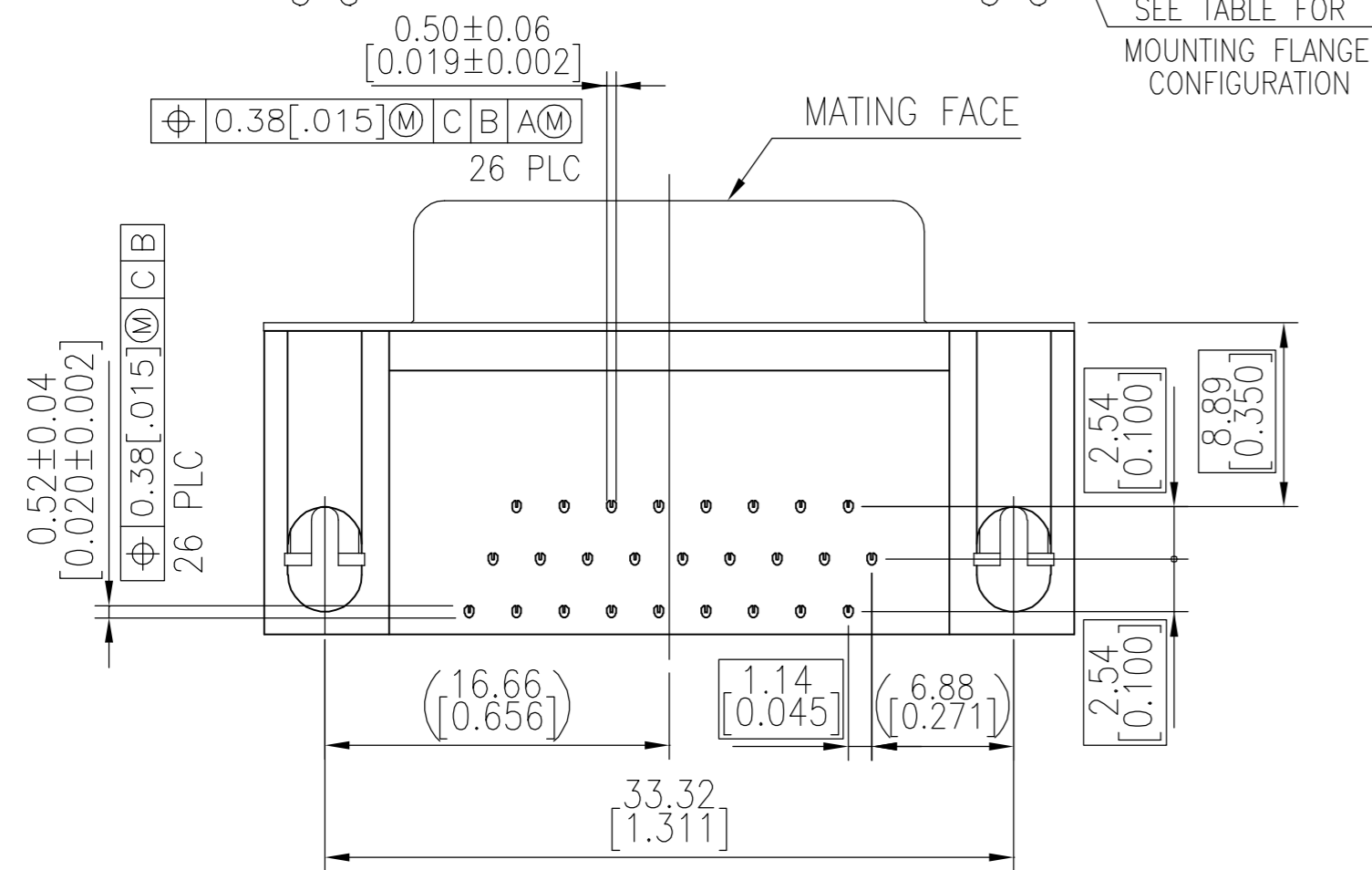
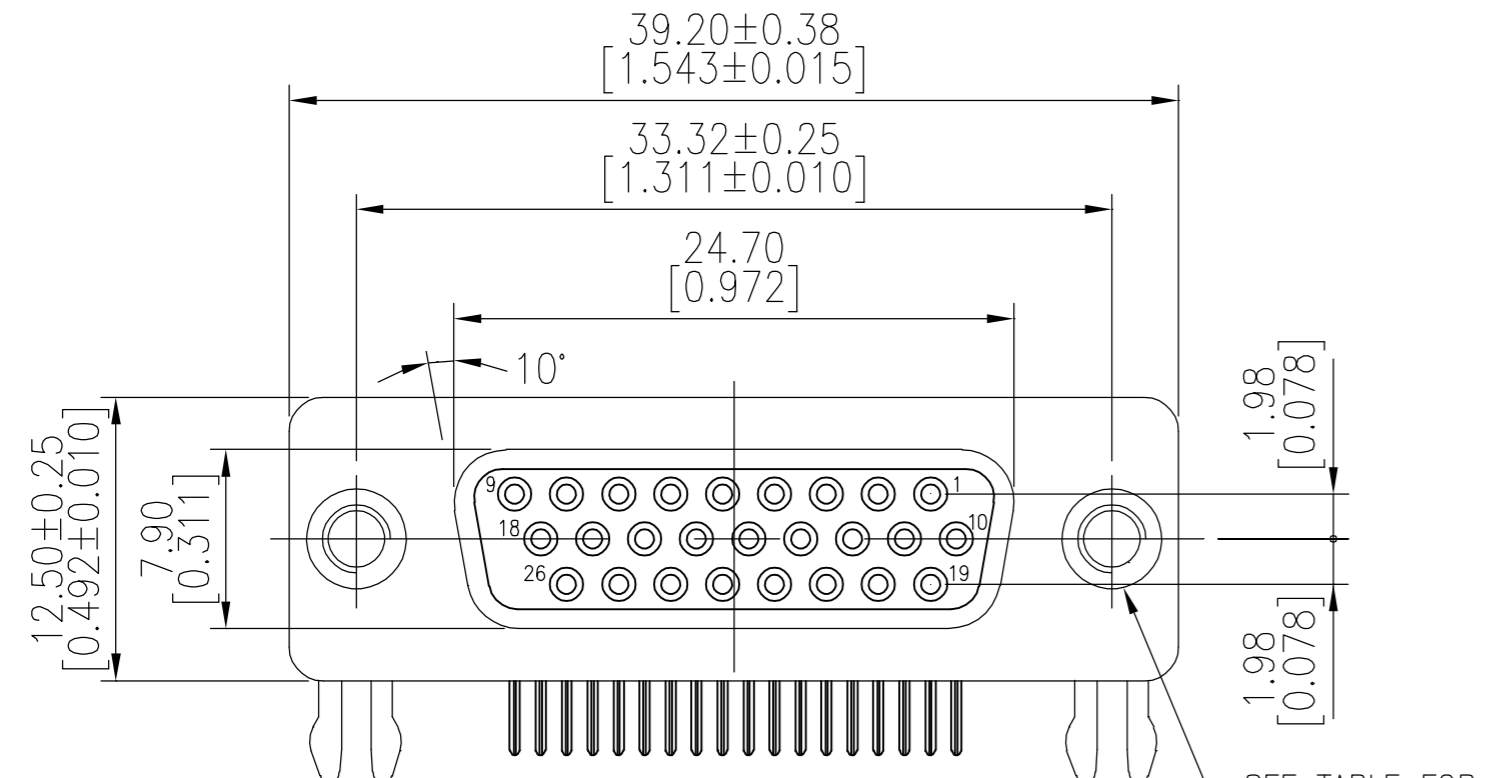
THIS DRAWING IS UNPUBLISHED. RELEASED FOR PUBLICATION
 © COPYRIGHT BY TYCO ELECTRONICS CORPORATION. ALL RIGHTS RESERVED.

LOC		DIST		REVISIONS			
P	LTR	DESCRIPTION	DATE	DWN	APVD		
GP	00						
	C	REVISED PER ECO-07-000513	11JAN07	JDP	SLB		



RECOMMENDED PCB LAYOUT

- HOUSING: PBT, 30% GF POLYESTER, UL 94V-0 RATED, COLOR BLACK.
- CONTACTS: PHOSPHOR BRONZE, GOLD PLATE IN MATING AREA (SEE TABLE), 120µ" MIN TIN PLATE ON SOLDER TAIL, BOTH OVER 50µ" MIN NICKEL UNDERPLATE.
- SHELL: STEEL, NICKEL PLATE.
- BOARDLOCK: BRASS, TIN PLATE 100µ" MIN.
- FEMALE SCREWLOCK: BRASS, NICKEL PLATE 30µ" MIN.
- FOUR DIGIT DATE CODE IN THIS FORMAT.
 01 45
 YEAR ———— MANUFACTURING WEEK
- DATUMS -X- & -Y- TO BE ESTABLISHED BY CUSTOMER.



NO	Tray	Detail B	Gold flash	2-5748481-7
NO	Tray	Detail B	15 µ" MIN GOLD	2-5748481-6
YES	Tray	Detail A	Gold flash	2-5748481-5
YES	Tray	Detail A	15 µ" MIN GOLD	2-5748481-4
YES	Tray	Detail B	Gold flash	2-5748481-3
YES	Tray	Detail B	15 µ" MIN GOLD	2-5748481-2
NO	Tray	Detail B	30 µ" MIN GOLD	1-5748481-9
YES	Tray	Detail A	30 µ" MIN GOLD	5748481-6
YES	Tray	Detail B	30 µ" MIN GOLD	5748481-5
BOARDLOCK	Packaging	Mounting Flange	Contact Mating Area Finish	Part No

5748481-5, 2--2, & 2--3 SHOWN

THIS DRAWING IS A CONTROLLED DOCUMENT.

DWN	R.RICHARDSON	31MAY05	Tyco Electronics Corporation Harrisburg, PA 17105-3608
CHK	S.BOLASH	31MAY05	
APVD	M.WALMSLEY	31MAY05	
PRODUCT SPEC			
NAME AMPLIMITE HD-22 26 POS RECEPTACLE, RIGHT ANGLE			RESTRICTED TO
MATERIAL		WEIGHT	SCALE
FINISH		SCALE	SHEET
CUSTOMER DRAWING		SCALE	REV

SIZE: A2 CAGE CODE: 00779 C=5748481 SHEET: 1 of 1 REV: C