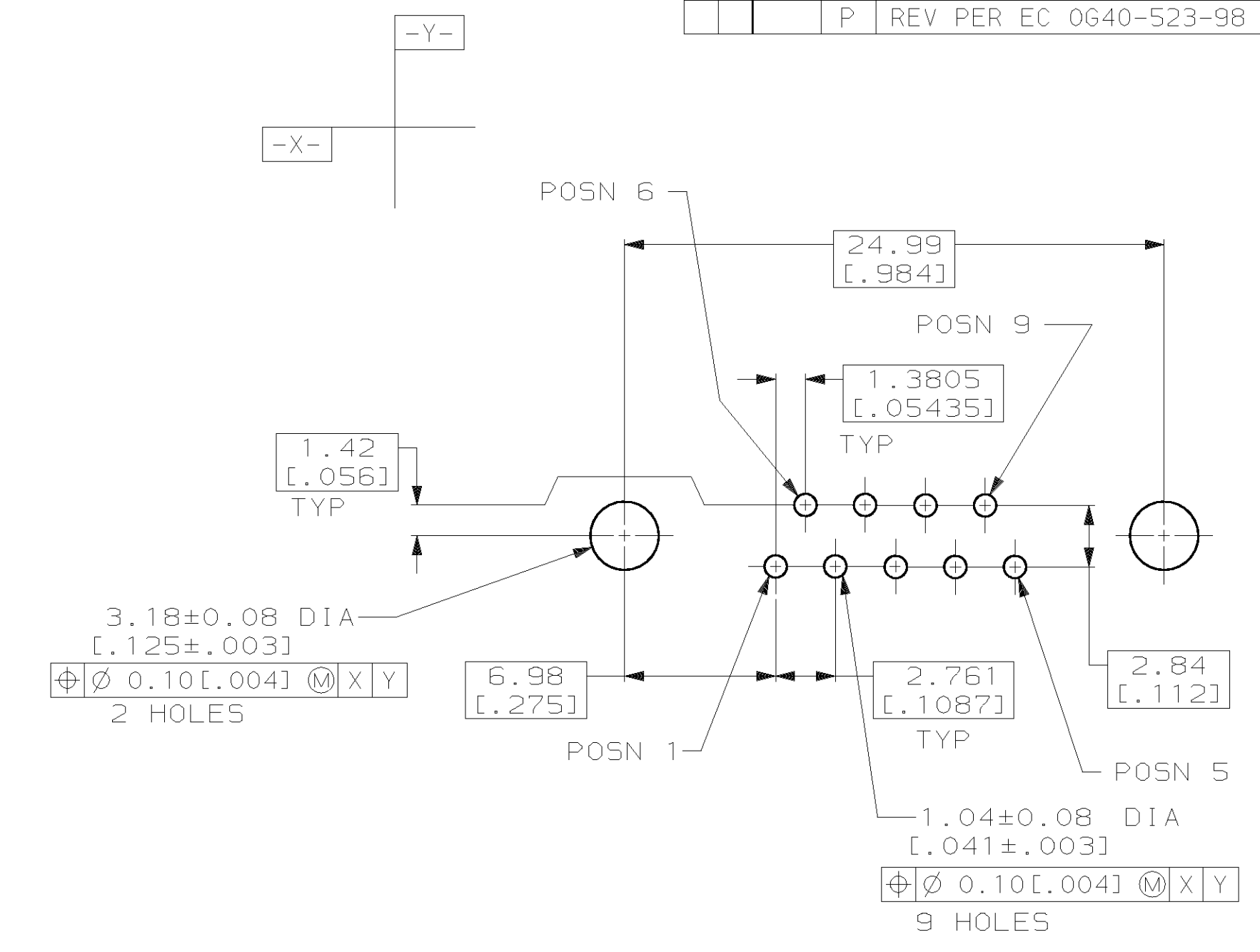
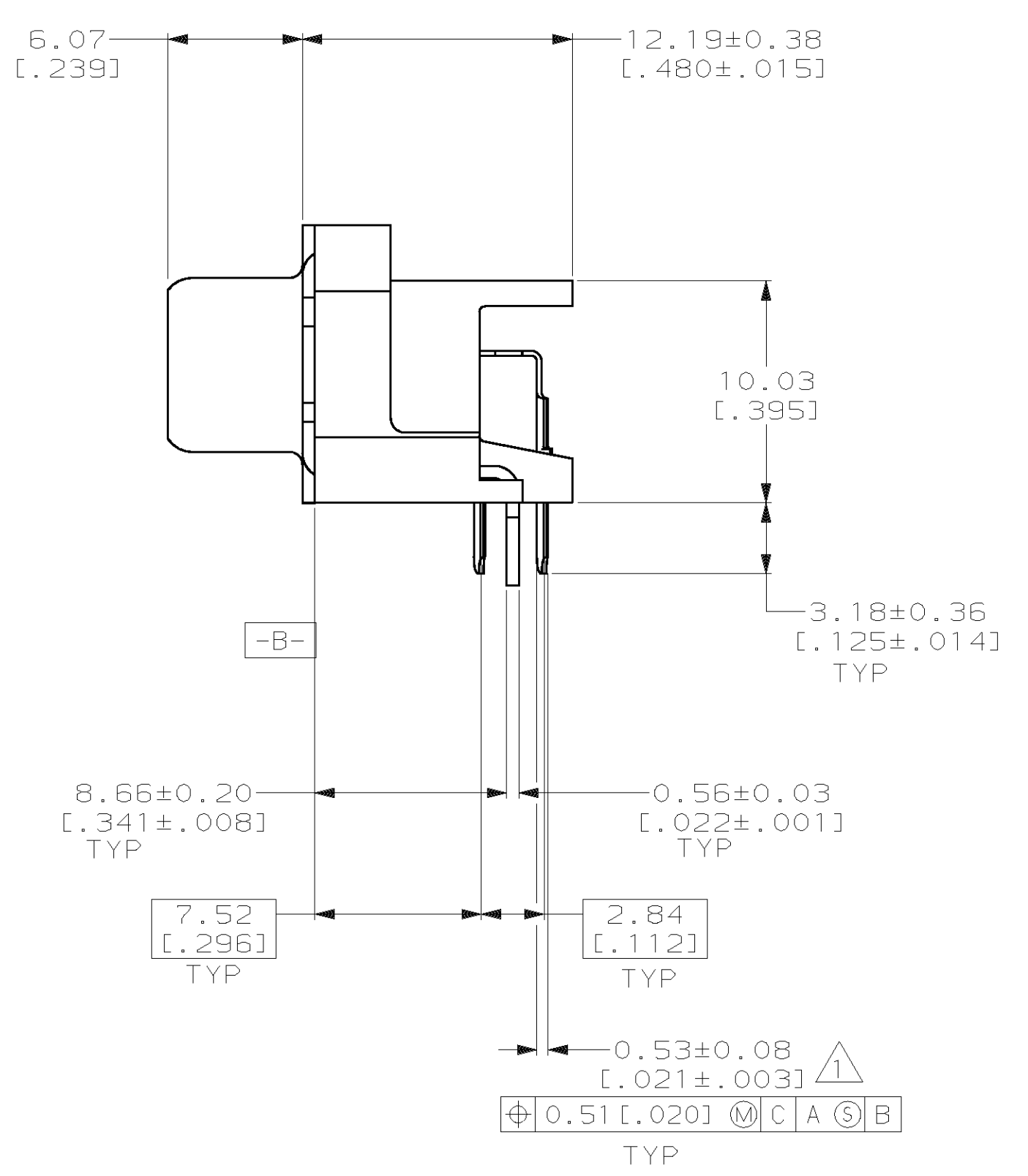
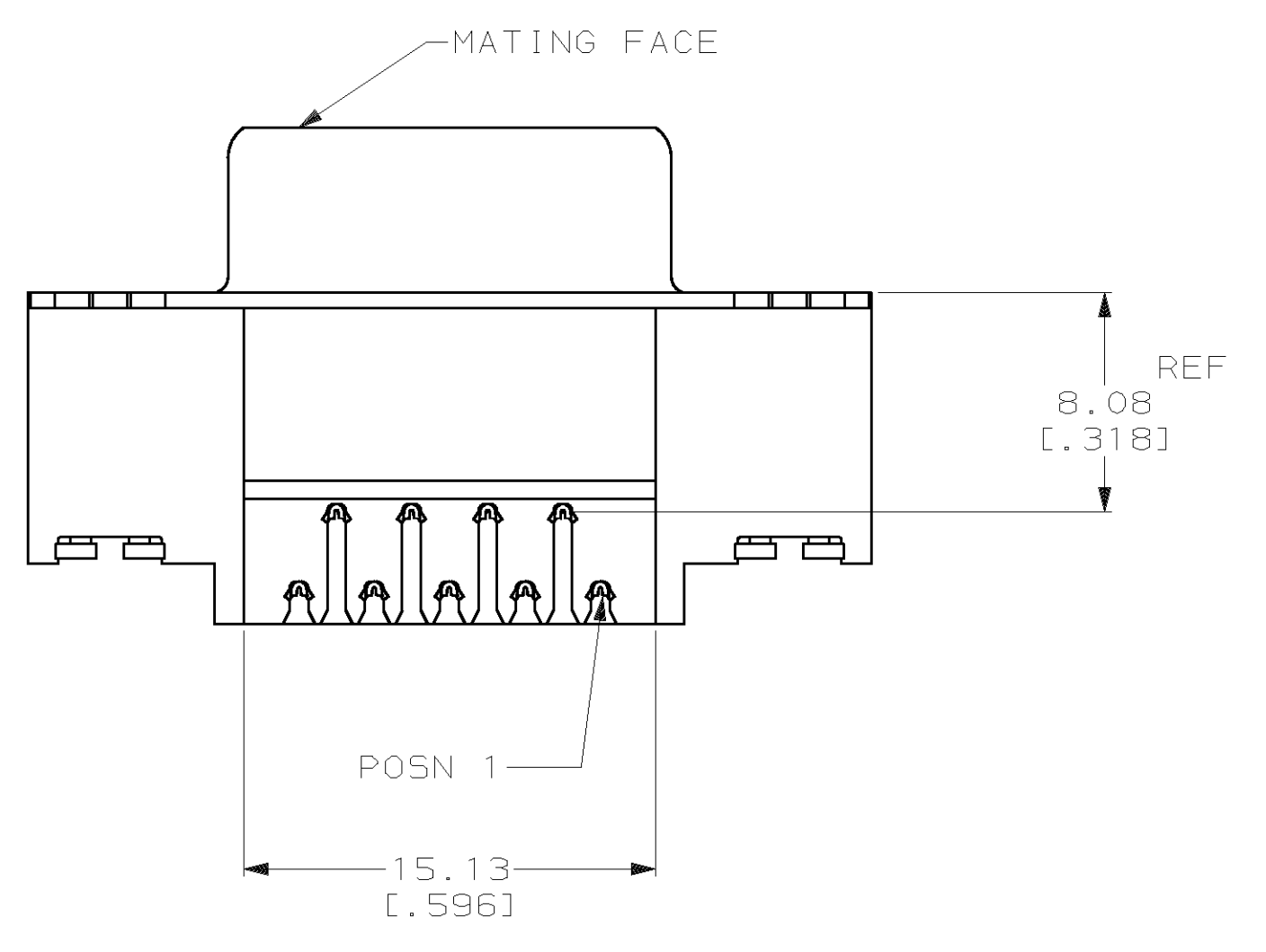
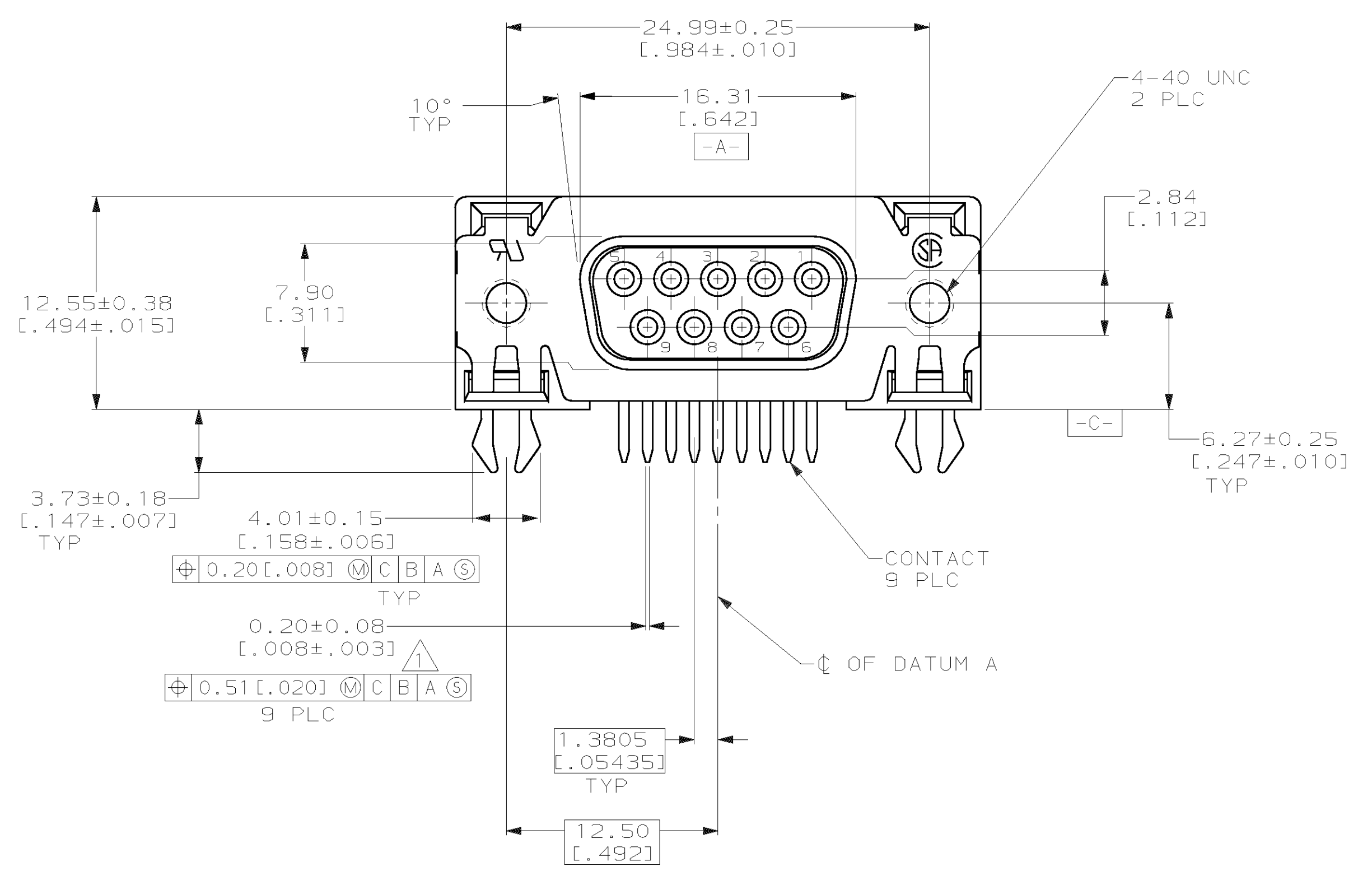
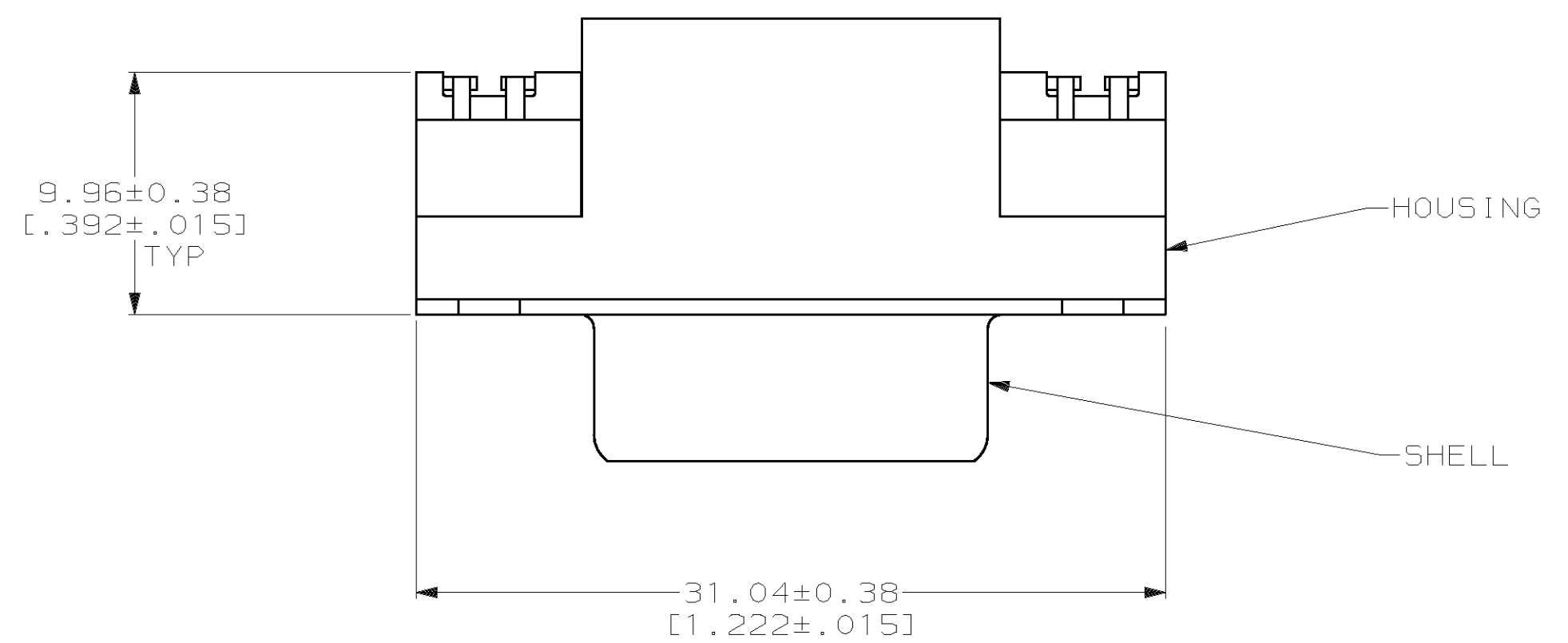


LOC	DIST	P	F	ZONE	LTR	DESCRIPTION	DATE	APPD
BD	77				M	REV PER EC 0420-170-97	09 FEB 98	RT
					N	ADDED -12 PER EC 0640-315-98	19 AUG 98	RT
					P	REV PER EC 0640-523-98	19 MAR 99	RT



PC BOARD MOUNTING DIMENSIONS
 (1.57 [.062] PC BOARD THICKNESS)

- 1 POSITION TOLERANCE APPLIES AT TIP ONLY.
- 2 POLYESTER, UL 94V-0 RATED, GLASS FILLED, BLACK.
- 3 PHOSPHOR BRONZE PER QQ-B-750.
- 4 CARBON STEEL PER ASTM E45.
- 5 GOLD PLATING PER MIL-G-45204, NICKEL PER QQ-N-290, TIN PLATING PER MIL-T-10727, COPPER PLATING PER MIL-C-14550.
- 6 3.81µm [.000150] MIN TIN OVER
2.54µm [.000100] MIN COPPER.
- 7 0.38µm [.000015] MIN GOLD FOR A LENGTH OF 1.27 [.050] MIN FROM MATING END, 3.05µm [.000120] MIN TIN-LEAD FOR A LENGTH OF 3.43 [.135] MIN FROM OPPOSITE END, BOTH OVER 1.27µm [.000050] MIN NICKEL.
- 8 NYLON, BLACK, GLASS FILLED, UL 94V-0 RATED.
- 9 COMPATIBLE WITH TYPICAL HIGH TEMPERATURE SOLDERING APPLICATIONS TO A MAXIMUM OF 225°C FOR A MAXIMUM DURATION OF 90 SECONDS.
- 10 GOLD FLASH FOR A LENGTH OF 1.27 [.050] MIN FROM MATING END, 3.05µm [.000120] MIN TIN-LEAD FOR A LENGTH OF 3.43 [.135] MIN FROM OPPOSITE END, BOTH OVER 1.27µm [.000050] MIN NICKEL.
- 11 0.76µm [.000030] MIN GOLD FOR A LENGTH OF 1.27 [.050] MIN FROM MATING END, 3.05µm [.000120] MIN TIN-LEAD FOR A LENGTH OF 3.43 [.135] MIN FROM OPPOSITE END, BOTH OVER 1.27µm [.000050] MIN NICKEL.

TRAY	11	2	1-787200-2
TUBE	7	8	787200-7
TUBE	7	2	787200-6
TRAY	7	8	787200-5
TRAY	7	2	787200-2
TRAY	10	2	787200-1
PACKAGING TYPE	CONTACT FINISH	HOUSING MATERIAL	PART NUMBER

DO NOT SCALE PRINT. UNLESS SPECIFIED DIMENSIONS IN mm [INCHES] TOLERANCES ON: 2 PLC DEC ±0.13 [.005] 3 PLC DEC ± ANGLES ± 2°	DR 6-7-94 C.OBERMAN CHK 6-8-94 R.STONE APPD 6-10-94 J.DOMINGOS APPD 6-10-94 W.PARKER PRODUCT SPEC 108-1545 APPLICATION SPEC 114-40052 WEIGHT
---	--

AMP AMP Incorporated Harrisburg, PA 17105-3508		
NAME RECEPTACLE ASSEMBLY, SIZE 1, 9 POSN, RIGHT ANGLE, .318 SERIES, AMPLIMITE 2000™		
SIZE D	CAGE CODE 00779	DRAWING NO C=787200
SCALE 4:1	SHEET 1 OF 1	

THIS DRAWING IS A CONTROLLED DOCUMENT FOR AMP INCORPORATED. IT IS SUBJECT TO CHANGE AND THE CONTROLLING ENGINEERING ORGANIZATION SHOULD BE CONTACTED FOR THE LATEST REVISION.