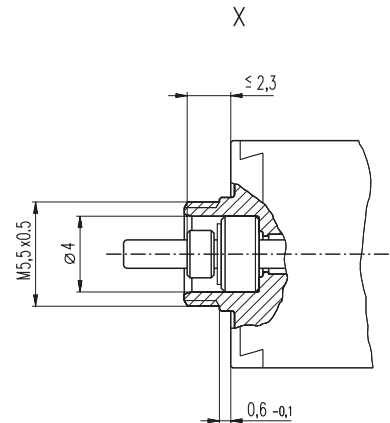
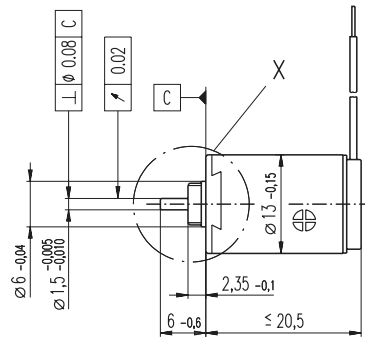
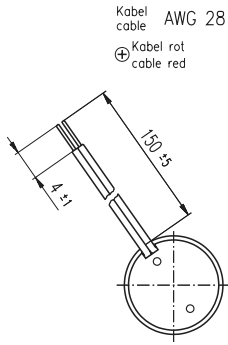


RE-max 13 \varnothing 13 mm, Precious Metal Brushes CLL, 1.2 Watt

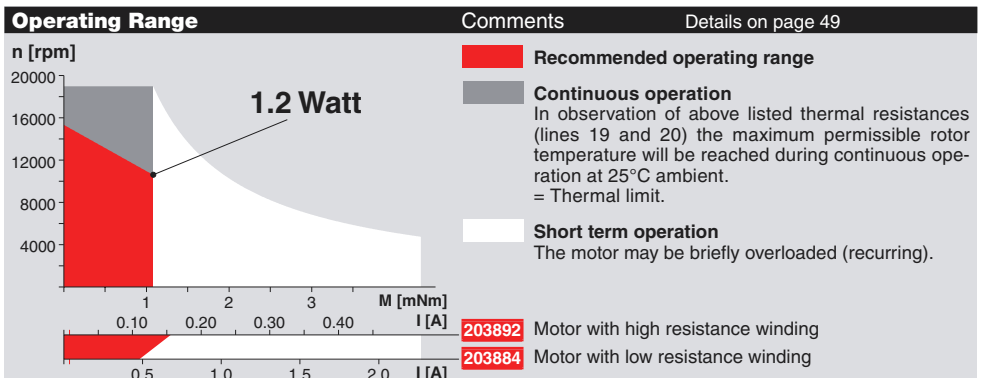


- Stock program
- Standard program
- Special program (on request!)

Order Number

Motor Data		201352	203881	203882	203883	203884	203885	203886	203887	203888	203889	203890	203891	203892	203893	203894
1 Assigned power rating	W	1.2	1.2	1.2	1.2	1.2	1.2	1.2	1.2	1.2	1.2	1.2	1.2	1.2	1.2	1.2
2 Nominal voltage	Volt	1.5	1.8	2.4	3	3.6	4.8	4.8	6	7.2	10	12	15	15	18	24
3 No load speed	rpm	17600	17200	18100	18600	17200	18700	16300	16700	16500	18500	17800	18000	16800	17100	17300
4 Stall torque	mNm	4.28	3.6	4.03	4.08	3.82	4.42	4.11	4.14	3.98	4.48	4.26	4.2	3.85	3.97	3.96
5 Speed / torque gradient	rpm / mNm	4170	4880	4560	4640	4600	4310	4040	4090	4220	4190	4250	4350	4440	4380	4450
6 No load current	mA	87	70	57	48	35	30	24	20	16	14	11	9	8	7	5
7 Starting current	mA	5340	3670	3230	2690	1950	1840	1490	1220	970	883	673	535	460	401	305
8 Terminal resistance	Ohm	0.281	0.491	0.742	1.11	1.85	2.61	3.23	4.9	7.42	11.3	17.8	28	32.6	44.9	78.8
9 Max. permissible speed	rpm	19000	19000	19000	19000	19000	19000	19000	19000	19000	19000	19000	19000	19000	19000	19000
10 Max. continuous current	mA	480	480	480	480	480	480	480	402	327	264	211	168	156	133	100
11 Max. continuous torque	mNm	0.385	0.47	0.599	0.727	0.941	1.15	1.33	1.36	1.34	1.34	1.33	1.32	1.3	1.31	1.3
12 Max. power output at nominal voltage	mW	1960	1610	1890	1970	1710	2160	1740	1790	1710	2160	1970	1960	1680	1760	1780
13 Max. efficiency	%	77	75	76	76	76	77	77	77	77	77	77	77	76	76	76
14 Torque constant	mNm / A	0.802	0.98	1.25	1.51	1.96	2.41	2.76	3.39	4.1	5.08	6.33	7.84	8.37	9.89	13
15 Speed constant	rpm / V	11900	9740	7660	6310	4870	3970	3460	2820	2330	1880	1510	1220	1140	966	734
16 Mechanical time constant	ms	15	14	14	13	13	13	13	13	13	13	13	13	13	13	13
17 Rotor inertia	gcm ²	0.343	0.278	0.286	0.276	0.274	0.287	0.302	0.298	0.289	0.29	0.286	0.28	0.276	0.279	0.275
18 Terminal inductance	mH	0	0.01	0.01	0.02	0.03	0.04	0.06	0.09	0.13	0.19	0.3	0.46	0.53	0.73	1.27
19 Thermal resistance housing-ambient	K / W	48	48	48	48	48	48	48	48	48	48	48	48	48	48	48
20 Thermal resistance rotor-housing	K / W	14	14	14	14	14	14	14	14	14	14	14	14	14	14	14
21 Thermal time constant winding	s	6	5	5	5	5	5	5	5	5	5	5	5	5	5	5

- ### Specifications
- Axial play 0.05 - 0.15 mm
 - Max. **sleeve bearing** loads
 - axial (dynamic) 0.8 N
 - radial (5 mm from flange) 1.4 N
 - Press-fit force (static) 15 N
 - Radial play **sleeve bearing** 0.014 mm
 - Ambient temperature range -20 / +65°C
 - Max. rotor temperature +85°C
 - Number of commutator segments 7
 - Weight of motor 15 g
 - Values listed in the table are nominal. For applicable tolerances (see page 43). For additional details please use the maxon selection program on the enclosed CD-Rom.
 - CLL = Capacitor Long Life



maxon Modular System

Planetary Gearhead
 \varnothing 13 mm
0.2 - 0.35 Nm
Details page 167

Planetary Gearhead
 \varnothing 13 mm
0.05 - 0.15 Nm
Details page 168

Digital MR Encoder
16 CPT, 2 / 3 channels
Details page 196

Digital MR Encoder
64 / 128 / 256 CPT,
2 / 3 channels
Details page 197 / 198