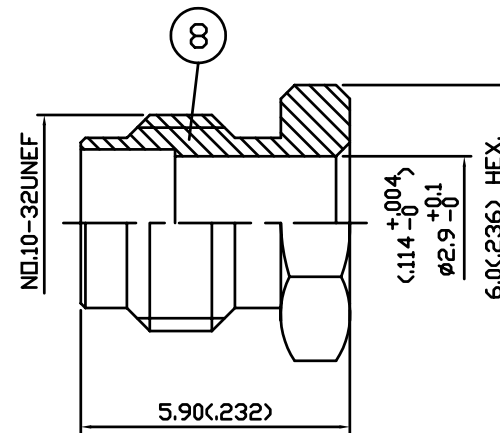
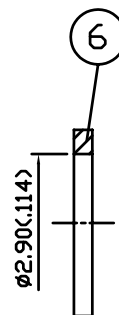
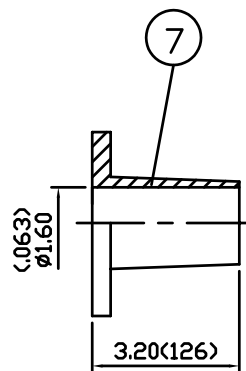
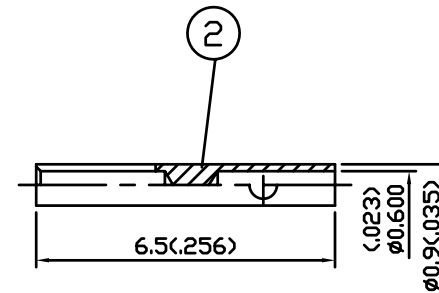
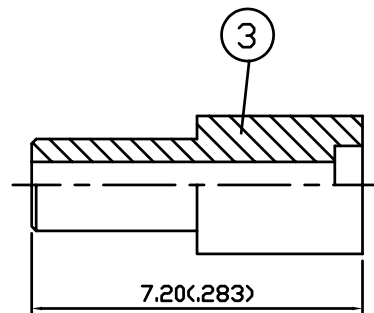
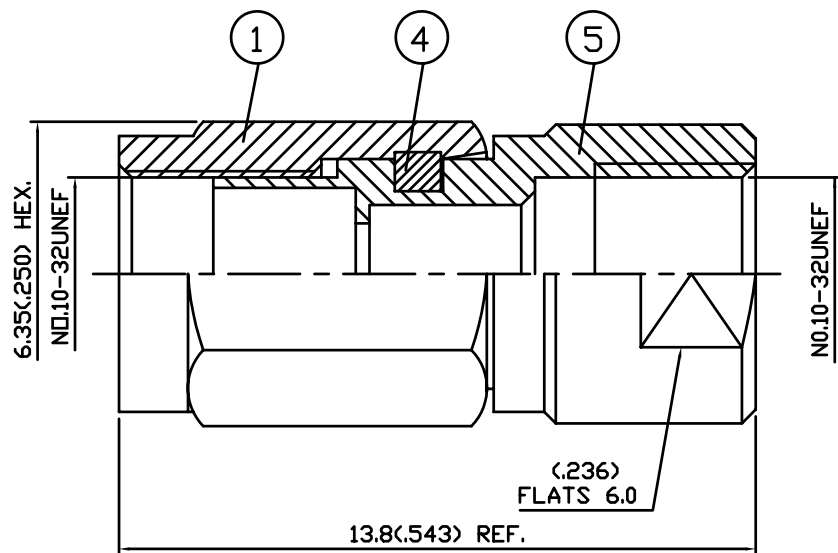


NO	DESCRIPTION	DATE
⚠	BACKGROUND FORMAT UPDATED	07.23.02



NOTES: UNLESS OTHERWISE SPECIFIED

1. BODIES: BRASS PER JIS-C3604
2. CENTER CONTACT: BERYLLIUM COPPER PER JIS-C1730B
3. INSULATION: TEFLON PER ASTM D1457 AND ASTM D1710
4. CONNECTOR INTERFACE PER MIL-STD-348A
5. PART TO BE CLEAN AND FREE OF BURRS

NO	DESCRIPTION	MATERIAL	Q'TY	FINISH
8	NUT	BRASS	1	GOLD 3 μ" MIN.
7	SLEEVE	BRASS	1	GOLD 3 μ" MIN.
6	WASHER	BRASS	1	GOLD 3 μ" MIN.
5	BODY	BRASS	1	GOLD 3 μ" MIN.
4	WASHER	STAINLESS STEEL	1	NONE
3	INSULATION	TEFLON	1	NONE
2	CENTER CONTACT	BERYLLIUM COPPER	1	GOLD 30 μ" MIN.
1	SHELL	BRASS	1	GOLD 3 μ" MIN.
NO	DESCRIPTION	MATERIAL	Q'TY	FINISH

製圖	DRAWN	TOLERANCE	品名	26-04 174U (50Ω)	日期	DATE	版次	REV.
	袁金玉					.X ±0.2		11.01.00'
檢圖	CHECK	.XX ±0.1	單位	UNIT	DWG.NO.	26-0023		
	袁金華	.XXX ±0.05				mm(in)		
認定	APPROVAL	ANGLE ±5°	比例	SCALE	佳楠精密電子股份有限公司 CHIN NAN PRECISION ELECTRONICS CO.,LTD.			
	蘇文申	8:1						