



This drawing/document is COPYRIGHT and the property of ARIEL PRESSINGS LIMITED. It must not be copied (in whole or part), used for reproduction or otherwise, without the written consent of the company. Any copies of this drawing/document made by any method, must also include a copy of this legend. © 1981

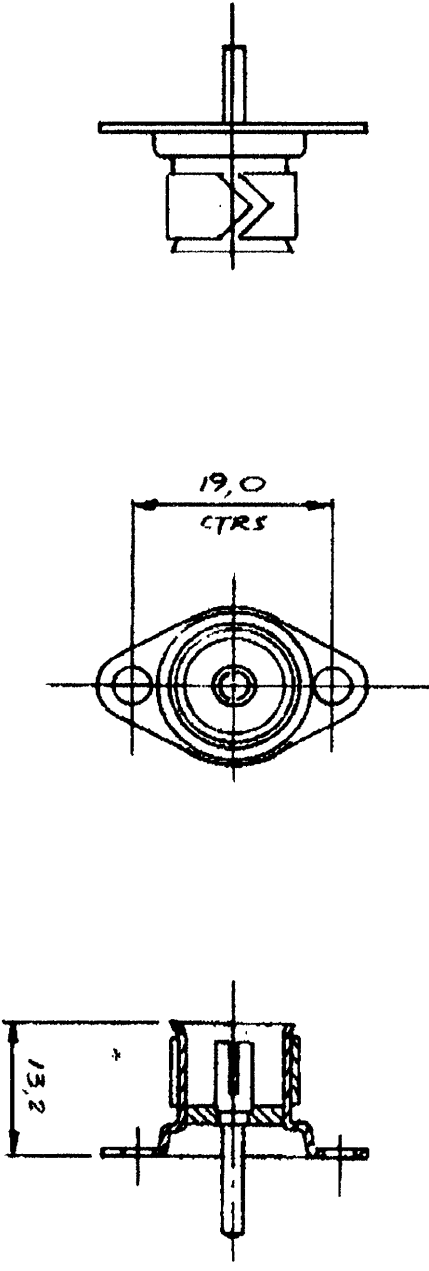
DO NOT SCALE

IF IN DOUBT, ASK!

THIRD ANGLE PROJECTION



RA 2739



BODY : STEEL FINISHED TIN  
 INSULATOR : SRBP  
 CONTACT : BRASS TINNED

RA 2739

CO-AXIAL SOCKET

SURFACE MOUNTING



ARIEL PRESSINGS LIMITED  
 Wollaton Road, Beeston, Nottingham.

MATERIAL

TOLERANCES unless stated

SCALE

FINISH

ALL DIMENSIONS ARE IN MILLIMETRES UNLESS STATED  
 DRAWN CHECKED APPROVED

DATE

ISSUE

MODIFICATION

DATE

ISSUE

MODIFICATION

ITEM PART NUMBER

DESCRIPTION

QTY

6-1-92	1				