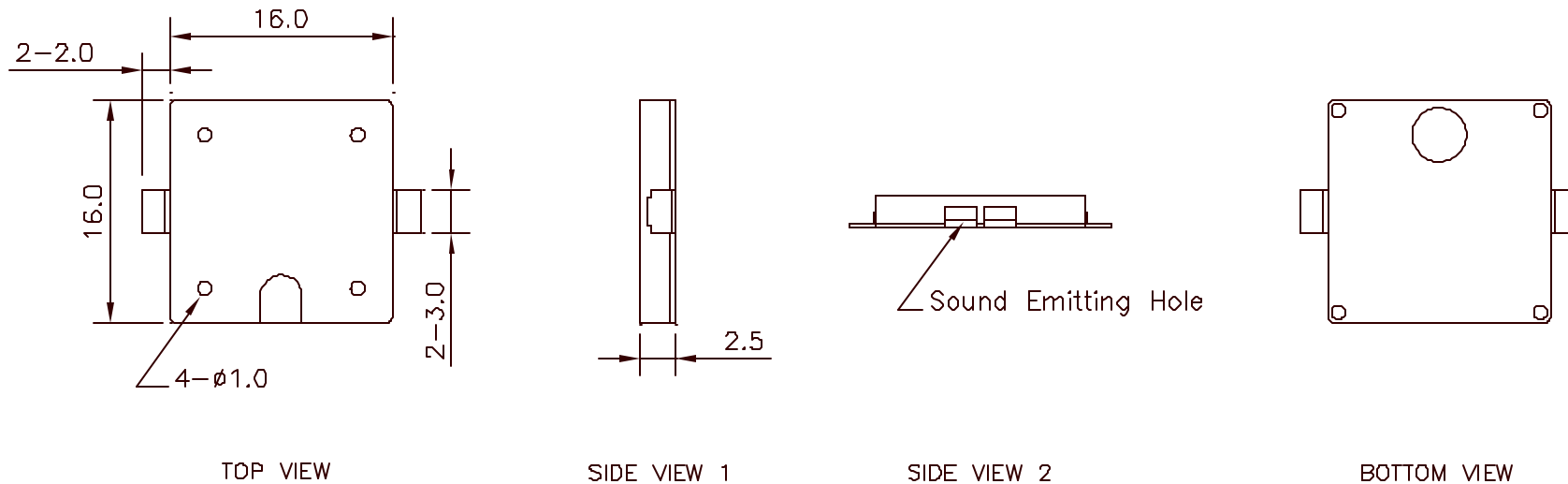


SPECIFICATIONS

PARAMETERS	VALUES	UNITS
Maximum Operating Voltage	25	Vp-p
Rated Voltage (Square Wave)	5	Vp-p
Rated Current (max)	3	Vp-p
Typ. Sound Pressure Level @ 10 cm	70	dBA
Resonant Frequency	4000	Hz
Static Capacitance @ 1 kHz	14±30%	nF
Operating Temperature	-20 ~ +70	°C
Storage Temperature	-30 ~ +70	°C
Weight	1	g
Housing Material	Black LCP	

REVISIONS

LTR	DESCRIPTION	DATE	APPROVED
-	RELEASED FROM ENGINEERING	02/27/02	




NOTES:

- ALL DIMENSIONS ARE IN MILLIMETERS.
- SPECIFICATION SUBJECT TO CHANGE OR WITHDRAWAL WITHOUT NOTICE.

DRAWING NAME
SMT1625

UNLESS OTHERWISE SPECIFIED
DIMENSIONS ARE IN MILLIMETERS
TOLERANCES ARE:
FRACTIONS DECIMALS ANGLES
± .XX ± 0.5 ± °
XXX ±

APPROVALS	DATE
DRAWN <i>RABL</i>	02/02
CHECKED	
APPROVED <i>S.J.</i>	06/14/02
DO NOT SCALE DRAWING	

 projects unlimited Dayton, Ohio	
SURFACE MOUNT PIEZO TRANSDUCER SMT-1625	
SIZE A	DRAWING NO. SMT1625.DWG
SCALE N/A	SHEET 1 OF 1