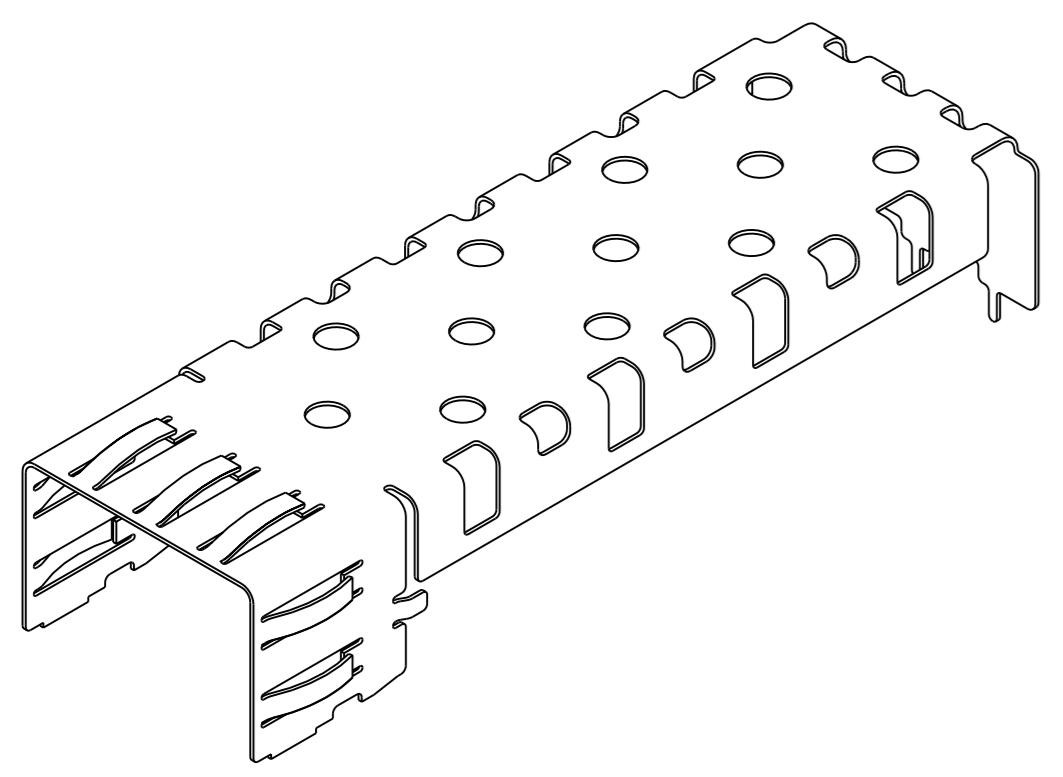
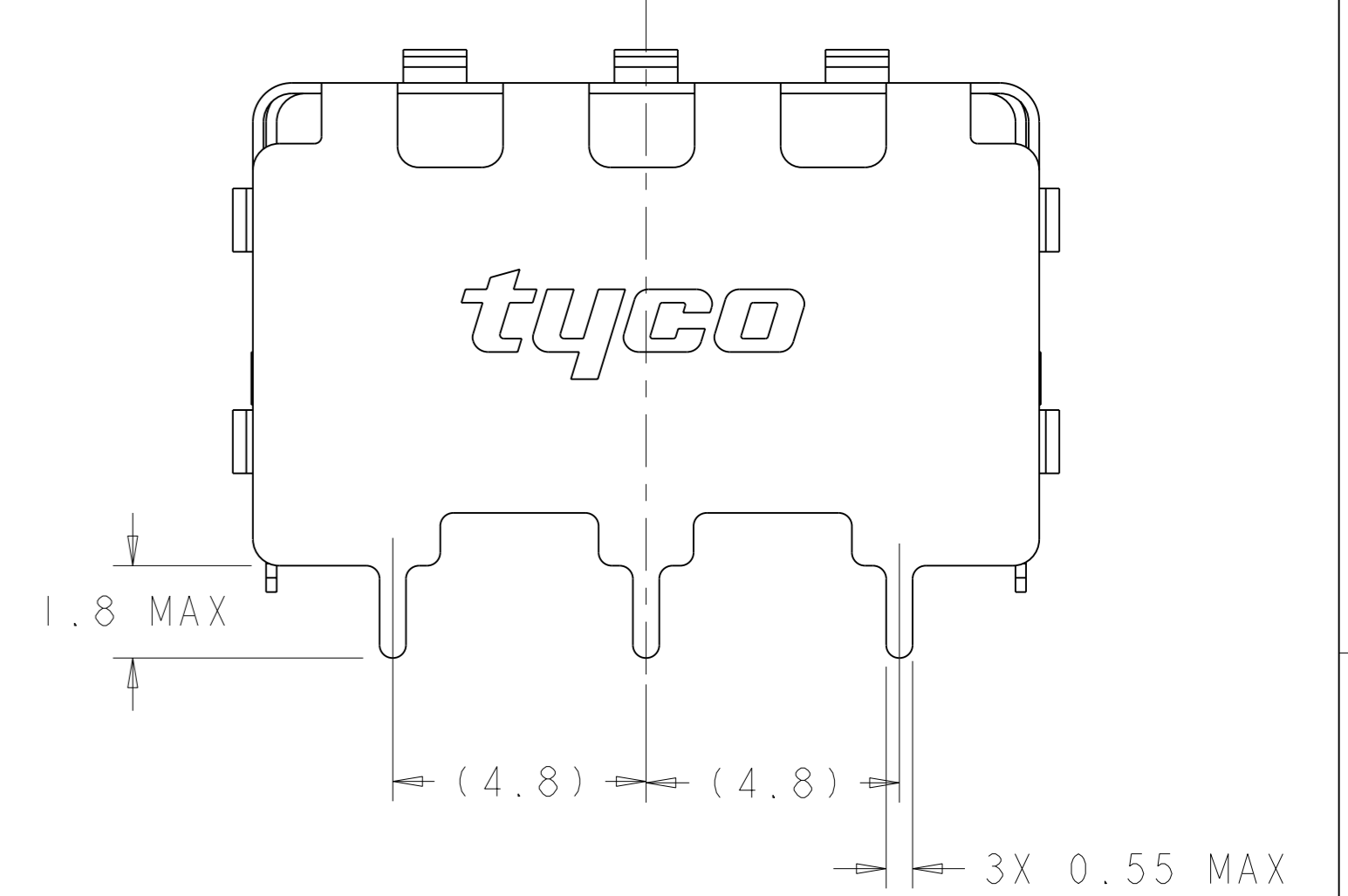
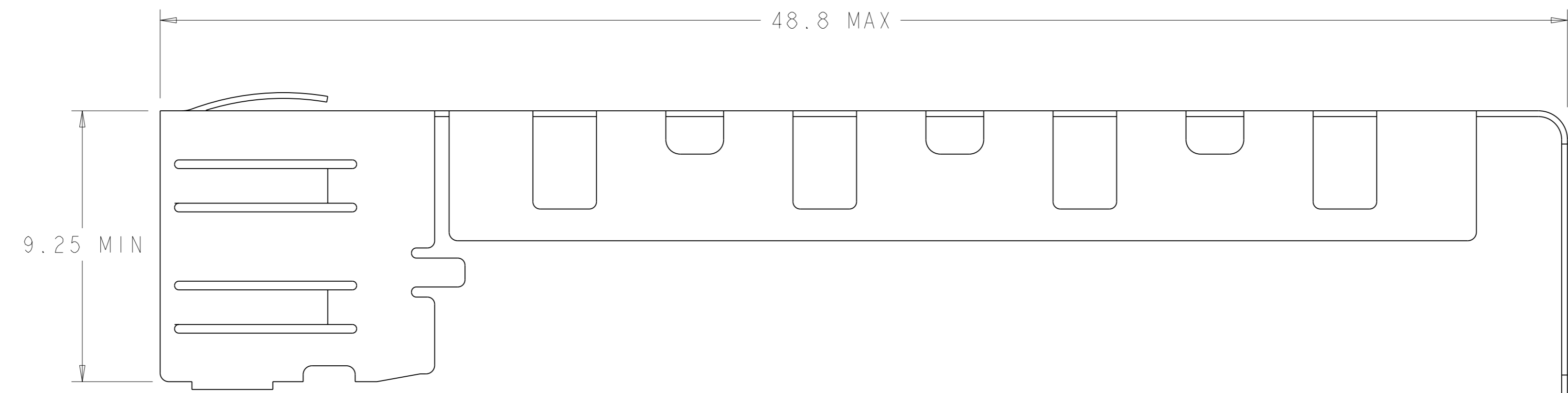
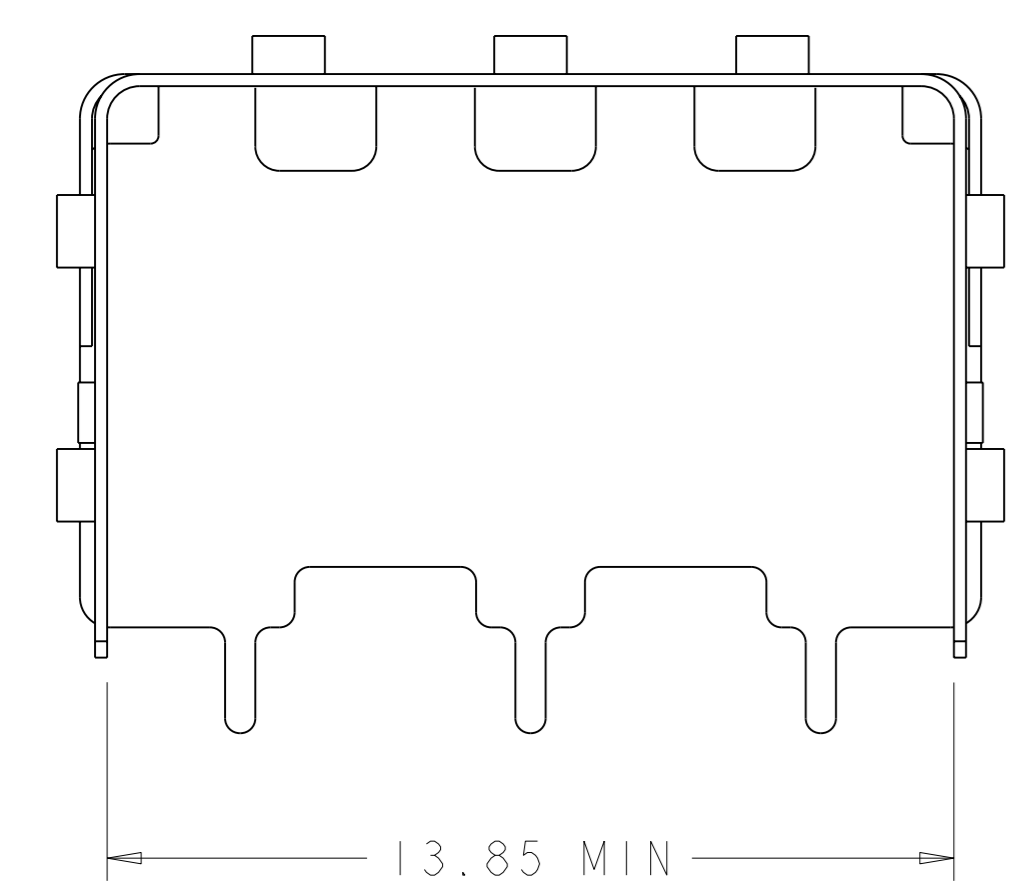
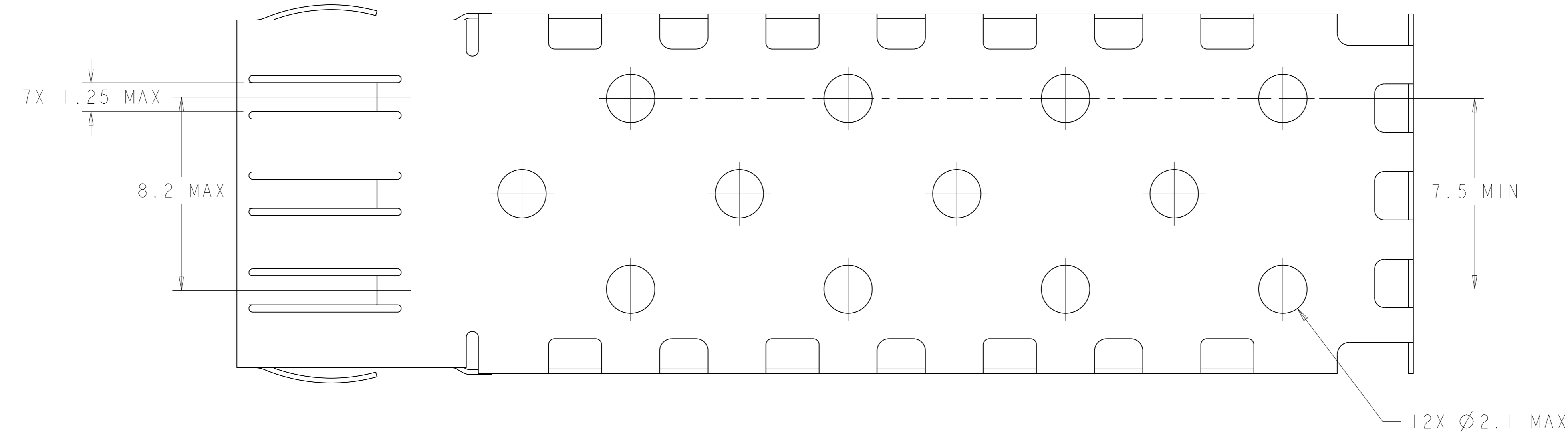


LOC		DIST		REVISIONS			
F	LYR	DESCRIPTION	DATE	DWN	APVD		
I		PRELIMINARY PER EC 0513-0083-05	27JAN05	JG	JK		
A		RELEASED PER EC 0513-0308-05	22DEC05	BM	SS		



SCALE 3:1

- ⚠ COPPER ALLOY, 0.2 THICK.
- ⚠ 1.25 MICROMETERS MIN TIN OVER 0.125 MICROMETERS MIN NICKEL. BARE EDGES PERMISSIBLE.
- 3. PACKAGED 60 PIECES PER TRAY.



6367035-1
PART NUMBER

DIMENSIONS: mm 		TOLERANCES UNLESS OTHERWISE SPECIFIED: 0 PLC ± 1 PLC ± 2 PLC ± 3 PLC ± 4 PLC ± ANGLES ±		DWN: J. GERACE 27JAN05 CHK: J. KOPPENHEFFER 27JAN05 APVD: - PRODUCT SPEC: 108-1950 APPLICATION SPEC: 114-13017 WEIGHT: -		tyco AMP Incorporated Harrisburg, PA 17105-3608 CAGE, TOP SFP	
MATERIAL: ⚠		FINISH: ⚠		SIZE: A 00779 C=6367035 SCALE: 8:1		RESTRICTED TO: - SHEET 1 OF 1 REV A	