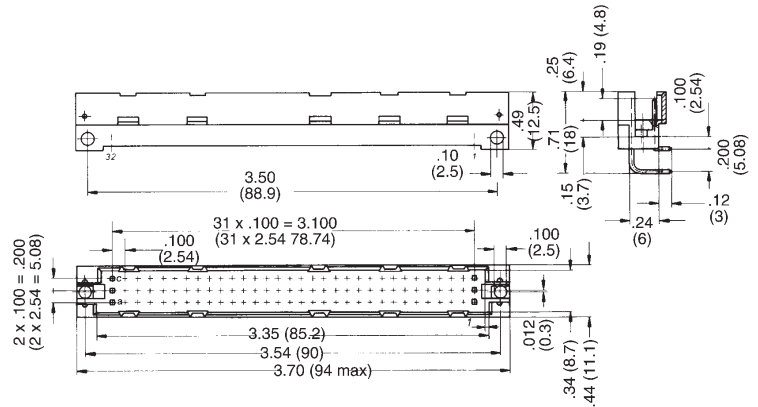
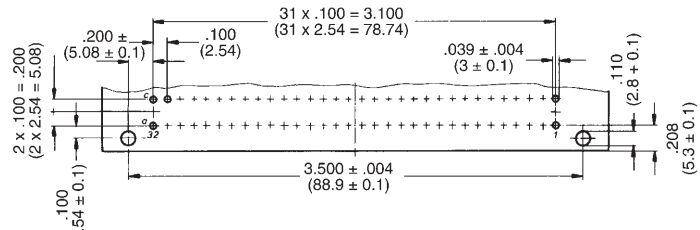


**Type C —
Series 120**

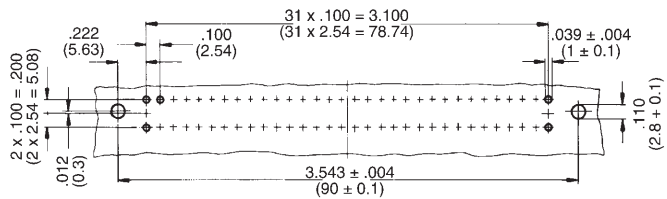
**64 Contact Male Connectors
— Three Row**



Printed Circuit Layout / Dip Solder Angled

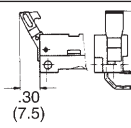
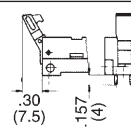
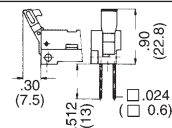


Printed Circuit Layout / Dip Solder Straight



Male connectors without locking lever see page #.

Part Numbers

No. of Contacts	Performance Level	Style		
				
64	2	Dip Solder Angled	Dip Solder Straight	Wire Wrap
	3	120-964-033A	120-964-133A	120-964-131A
		120-964-053A	120-964-153A	

Without ejector 120-064-... (without Suffix-A)*

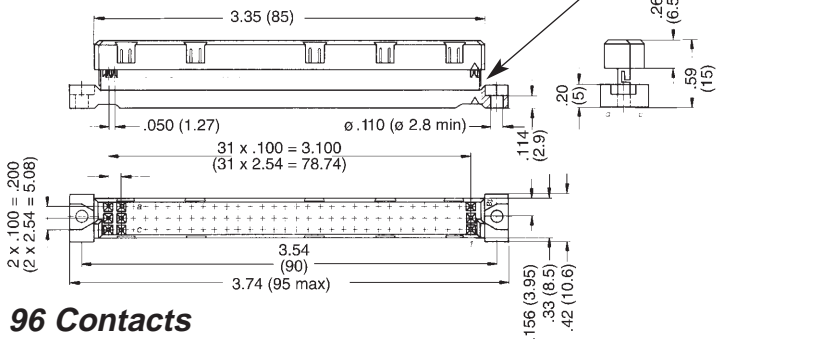
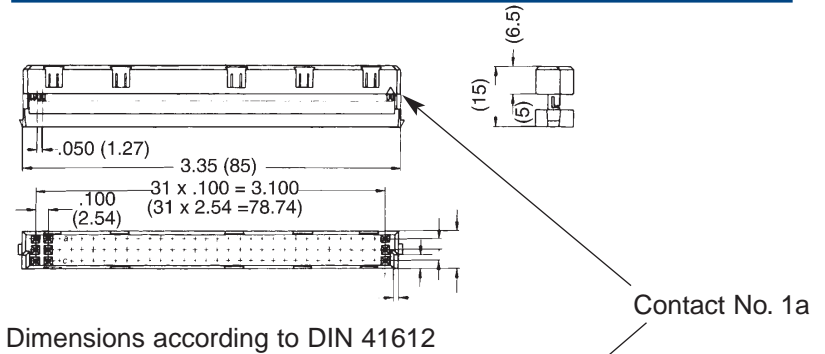
* Contact Factory For Availability

**Type C —
Series 120**

**64 and 96 contact IDC
female connectors
- three row**



64 Contacts



Part Numbers

No. of Contacts	Contact Arrangement	Performance Level	Style	
			Connector	Connector With Mounting Flange
64	Row a + c	2	120-964-435	120-964-435F
96	Fully Equipped	2		120-096-435F**

** 96 Contact Version Uses .033" Pitch Flat Cable.