

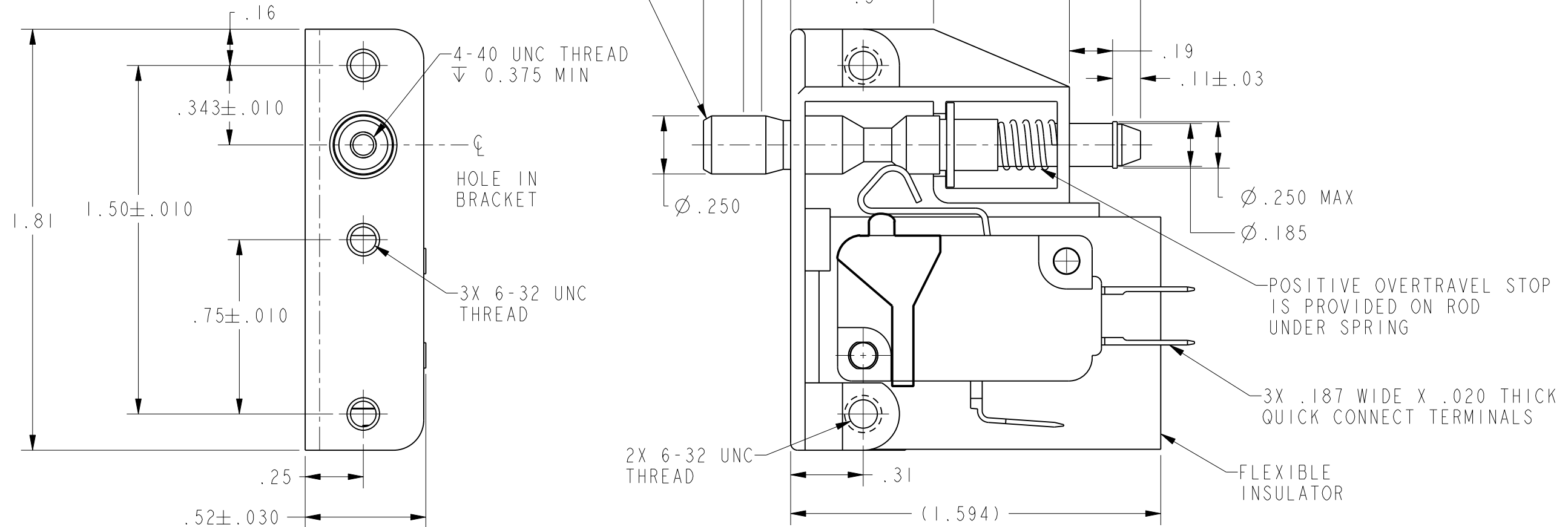
HONEYWELL  
PART NUMBER

23AC80

KC-R1632

| REV | DOCUMENT | CHANGED BY  | CHECK |
|-----|----------|-------------|-------|
| 4   | 0012977  | DVM 04MAY05 | AK    |

PUSH TO OPERATE-RETURNS  
AUTOMATICALLY TO POSITION  
SHOWN  
PULL TO OPERATE-REMAINS IN  
OPERATED POSITION UNTIL RESET  
FOR AUTOMATIC RETURN BY NEXT  
FULL STROKE "PUSH" OPERATION



NOTES

1. UNIT INCLUDES CATALOG LISTING "V7-6A17D8-296-S" BASIC SWITCH
2. BASIC SWITCH PLASTIC PARTS ARE MADE OF GLASS FILLED PBT AND TEFLON FILLED PHENOLIC
3. ACTUATOR ROD MADE OF HIGH STRENGTH PLASTIC
4. UL AND CSA APPROVALS APPLY TO BASIC SWITCH ONLY

REPLACES: X110597-AC

|  |  |  |  |  |  |  |  |                            |  |  |  |  |  |
|--|--|--|--|--|--|--|--|----------------------------|--|--|--|--|--|
| <p>CHARACTERISTICS</p> <p>TOTAL TRAVEL:</p> <p>.250 APPROX PUSH DIRECTION</p> <p>.187 APPROX PULL DIRECTION</p> <p>FULLY DEPRESSED FORCE-- 4 LBS MAX</p> |  | <p>ELECTRICAL DATA</p> <p>CONTACT ARRANGEMENT</p> <p>S P D T</p> <p>5A 125, <u>250</u>, 277 VAC</p> <p>1/10HP <u>250</u> VAC</p> |  | <p>DESIGN UNITS: INCH</p> <p>TOLERANCES UNLESS NOTED:</p> <p>NO PLACE X ±</p> <p>ONE PLACE .X ± 0.030</p> <p>TWO PLACE .XX ± 0.015</p> <p>THREE PLACE .XXX ± 0.005</p> <p>FOUR PLACE .XXXX ±</p> <p>ANGLES X ±</p> |  |  | <p>DRAWN DCS 26FEB98</p> <p>CHECK J A F 10JUN98</p> <p>THIS DRAWING COVERS A PROPRIETARY ITEM AND IS THE PROPERTY OF HONEYWELL. THIS DRAWING IS NOT TO BE COPIED OR USED WITHOUT THE PERMISSION OF HONEYWELL.</p> <p>INTERPRET PER ASME Y14.5M-1994 OTHER HONEYWELL ENGINEERING STANDARDS MAY APPLY</p> <p>Pro/ENGINEER 3D</p> |                            |  | <p><b>Honeywell</b></p> <p>TITLE</p> <p><b>ASSEMBLY-SWITCH</b></p> |  |  |  |
| <p>THIRD ANGLE PROJECTION</p>  |  |  |  | <p>SIZE <b>B</b></p> <p>TYPE <b>I</b></p>  |  | <p>DRAWING NAME</p> <p><b>23AC80</b></p> |  | <p>REV</p> <p><b>4</b></p> |  |  |  |  |  |
|  |  |  |  | <p>SCALE 2:1</p>   |  | <p>SHEET 1 OF 1</p>                      |  |                            |  |  |  |  |  |