

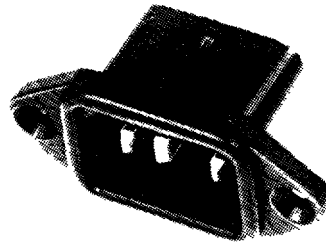
313-750

L1950A

3-pole appliance inlet

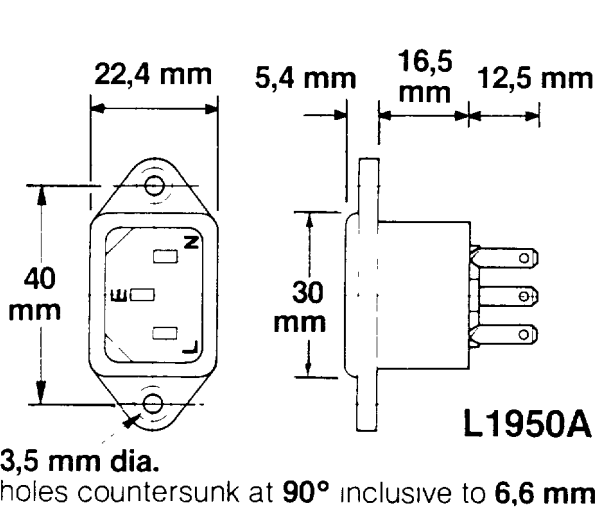
Approved: BSI Kite mark
SEMKO SEV VDE
UL recognition

Approved to CEE 22 (IEC 320) this 3-pole power inlet mates with free connectors L1920, L1947A and L1949A. Suitable for front or rear of panel mounting, and fits L2310 (page 33).

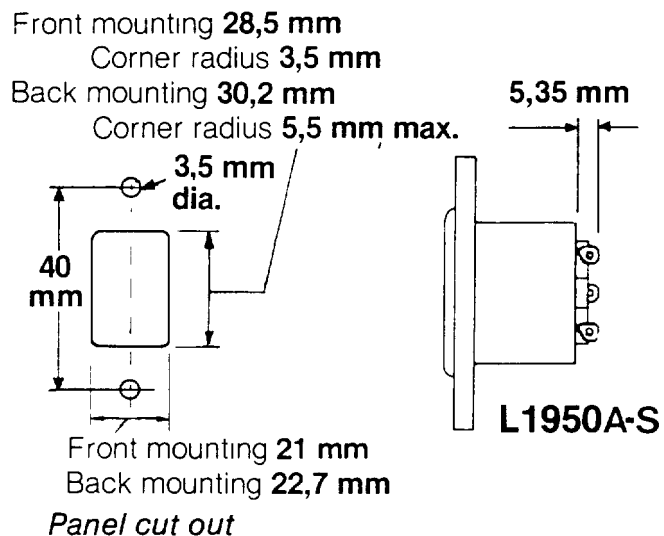


L1950A

| | |
|---------------------------------|--|
| Current rating: | 6 A |
| Operating voltage: | 250 Va.c. |
| Maximum pin temperature: | 65 °C |
| Temperature (ambient): | - 40 °C to + 60 °C (ambient) |
| Insulation resistance: | |
| Between supply poles: | ≥2 megohms, elsewhere ≥5 megohms |
| Materials: Contacts: | Silver plated brass |
| Body: | Polyphenylene oxide |
| Colour: | Black |
| Terminations: | Solder or solderless snap-on connectors 2,8 × 0,81 mm |
| Ordering reference: | L1950A |



L1950A



L1950A-S

L1950A-S

3-pole appliance inlet

This appliance inlet enjoys the same approvals and specification as L1950A except that its terminations are for

solder only and have been kept to the very minimum length. It is a very useful connector where only limited space is available in equipment housings.

Ordering reference: L1950A-S