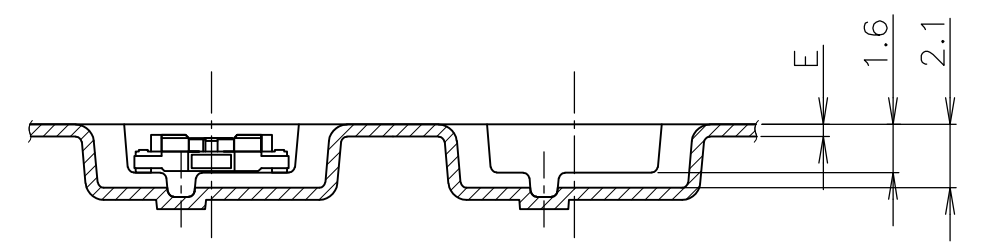
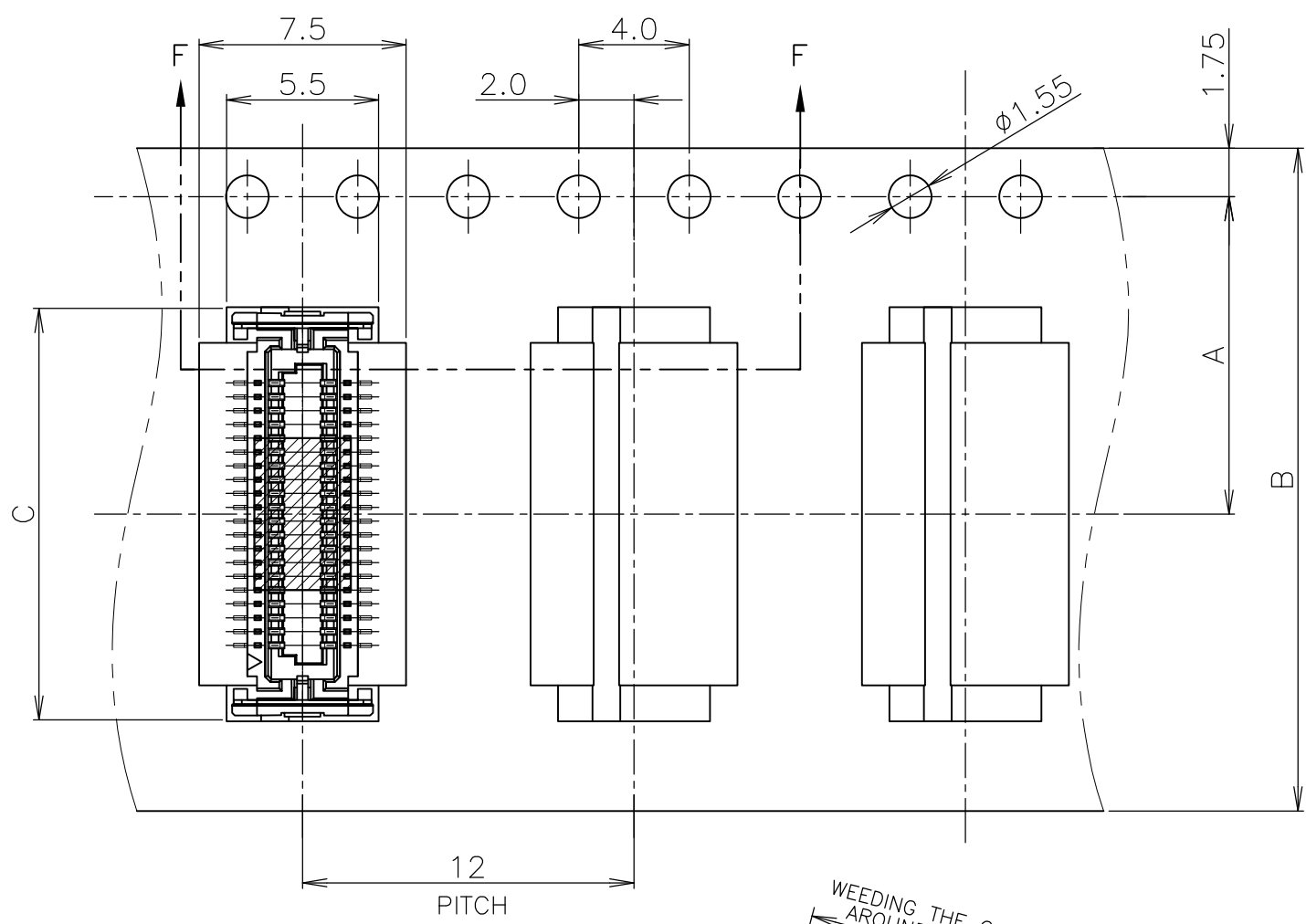


THIS DRAWING IS UNPUBLISHED. RELEASED FOR PUBLICATION NOV, 1996.  
 © COPYRIGHT 1996 BY TYCO ELECTRONICS CORPORATION. ALL RIGHTS RESERVED.

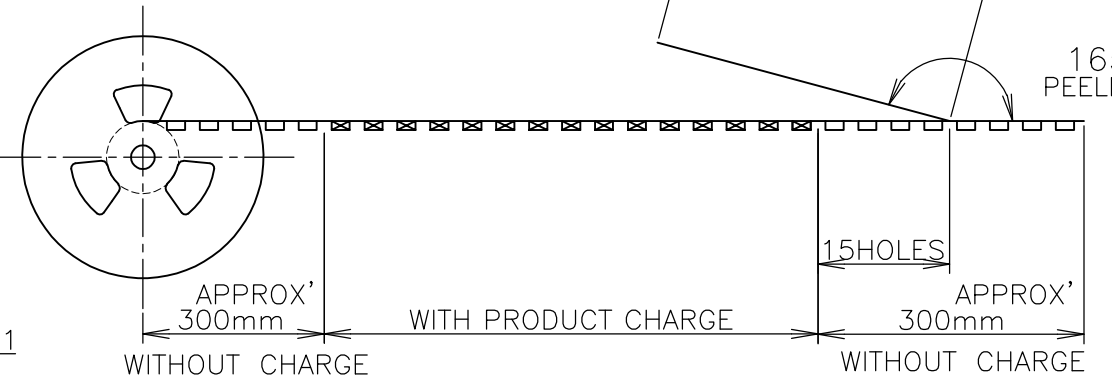
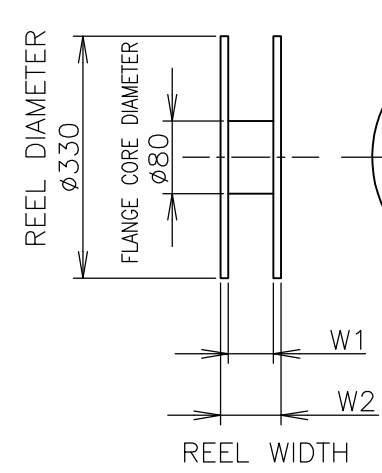
LOC	DIST	REVISIONS				
P	LTR	DESCRIPTION	DATE	DWN	APVD	
J	/	A	REVISED	06DEC07	T.T	T.F



TAPE WIDTH

TOP OF REEL  
 →

WEEDING THE COVER TAPE AROUND THE OUTER PERIPHERY IN A TURN.  
 165°~180° PEELING ANGLE.



W2	W1	E	C	B	A	QTY/REEL	POS	TAPING P/N
28.4	24.4	0.4	15.0	24	11.5	1500	40	4-5353512-0
28.4	24.4	0.4	12.5	24	11.5	1500	30	3-5353512-0
28.4	24.4	0.4	10.0	24	11.5	1500	20	2-5353512-0

INSTRUCTION SHEET  
 411-5781

THIS DRAWING IS A CONTROLLED DOCUMENT.		DWN Julyee Zhu 09NOV04	Tyco Electronics Corporation Kawasaki, Japan	
DIMENSIONS: MM		CHK Steven Yao 09NOV04	NAME ON TAPING (EMBOSS) 0.5mm PITCH FS CONN. RECEPTACLE ASSEMBLY WITH KEY & WITHOUT BOSS	
TOLERANCES UNLESS OTHERWISE SPECIFIED: 0 PLC ± 0.2 1 PLC ± 0.2 2 PLC ± 0.2 3 PLC ± 0.2 4 PLC ± 0.2 ANGLES ± 3'		APVD Ikuo Enomoto 09NOV04	PRODUCT SPEC 108-60048	
MATERIAL		FINISH	APPLICATION SPEC	RESTRICTED TO
CUSTOMER DRAWING		WEIGHT	SIZE A3	CAGE CODE 00779
			DRAWING NO C-5353512	
			SCALE 4:1	SHEET 1 OF 2
				REV A

4

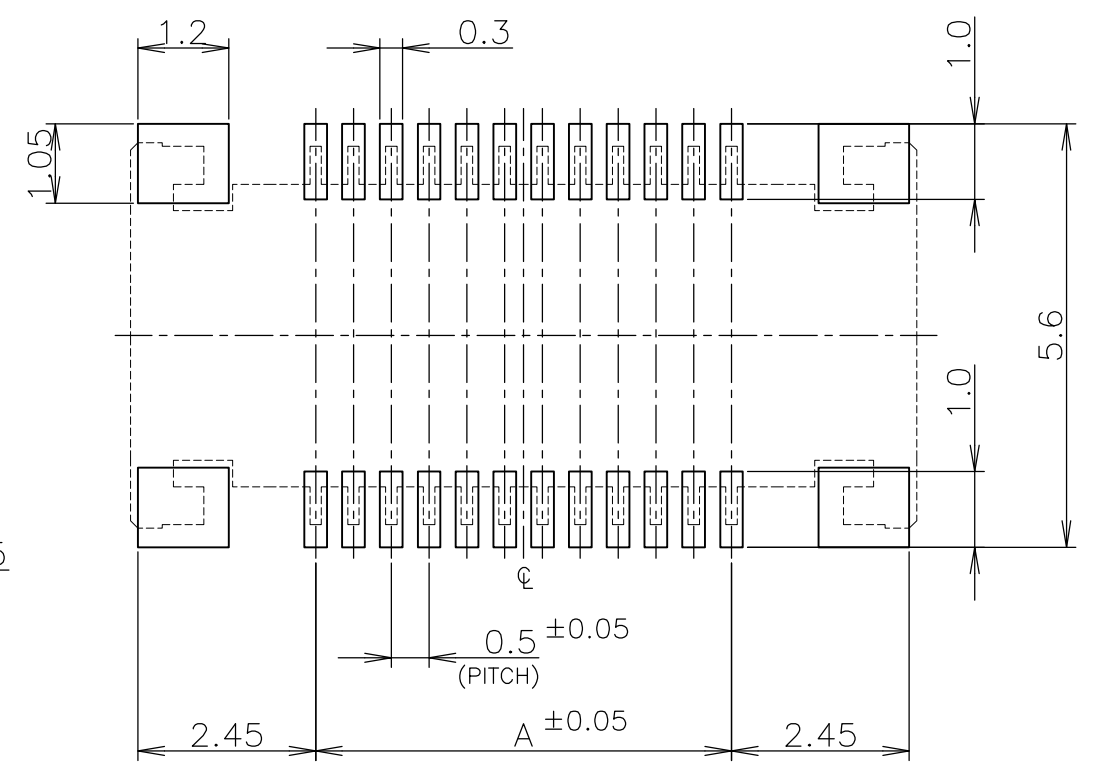
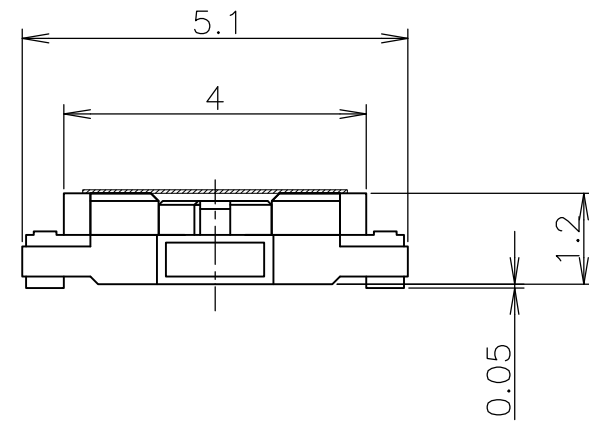
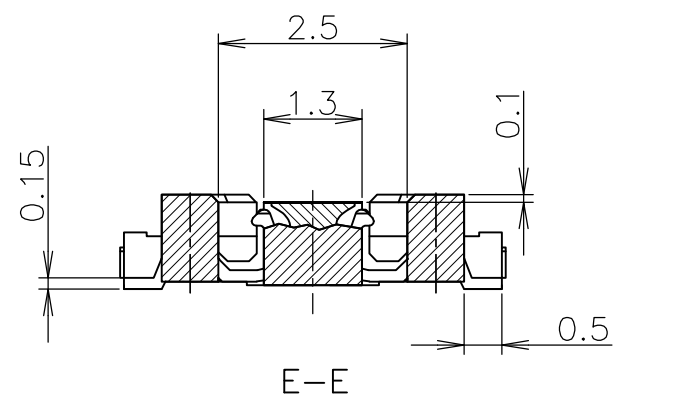
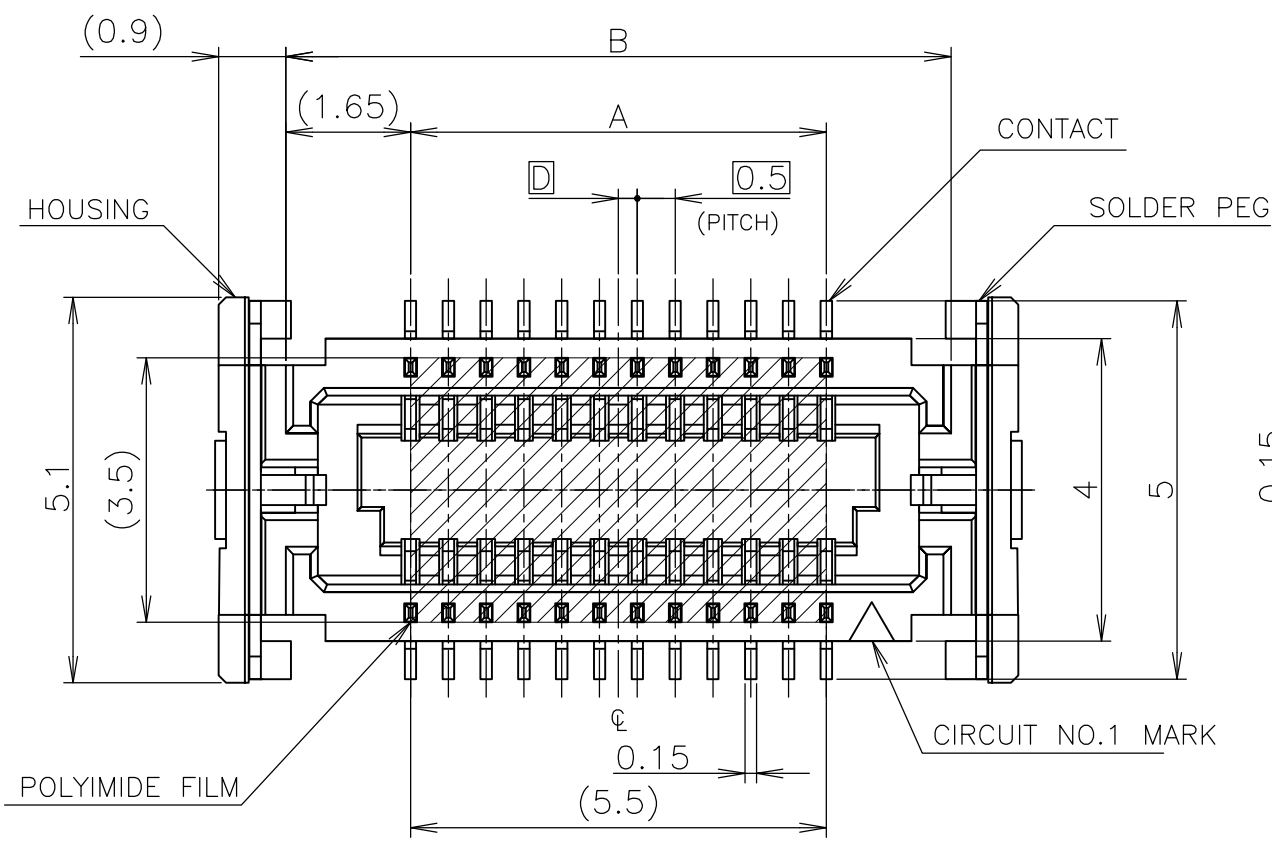
3

2

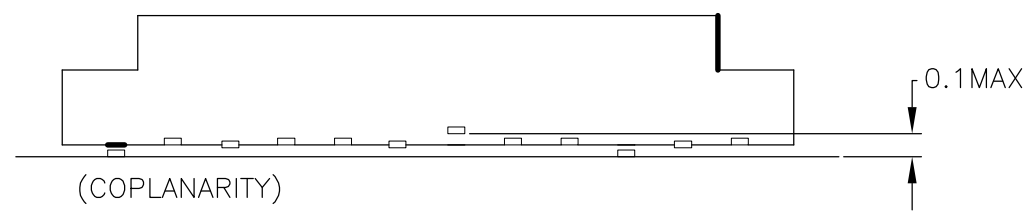
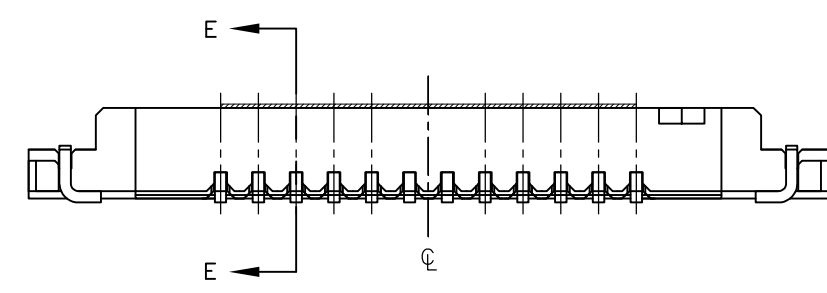
1

THIS DRAWING IS UNPUBLISHED. RELEASED FOR PUBLICATION OCT, 1996.  
 © COPYRIGHT 1996 BY TYCO ELECTRONICS CORPORATION. ALL RIGHTS RESERVED.

LOC	DIST	REVISIONS					
J		P	LTR	DESCRIPTION	DATE	DWN	APVD
		-	-	SEE SHEET 1	-	-	-



(T=0.6 MIN.)  
P.C. BOARD LAYOUT (REF.)



(COPLANARITY)  
MUST BE MEASURED FLOATING AMOUNT OF TINES  
AND TAIL PLATES FROM DATUM SURFACE IS 0.1mm MAX.

- 1 MATING COUNTER PART NUMBER : 5353514
- MATERIAL
- HOUSING : HIGH HEAT-RESISTED
- CONTACT : COPPER ALLOY(t=0.15), Au-PLT
- SOLDER PEG : COPPER ALLOY (t=0.15), TIN-PLT

0.25	14.6	12.8	9.5	40	4-5353512-0
--	12.1	10.3	7	30	3-5353512-0
0.25	9.6	7.8	4.5	20	2-5353512-0
D	C	B	A	Pos.	PART NO.
DIMENSION					

THIS DRAWING IS A CONTROLLED DOCUMENT.

DIMENSIONS:	TOLERANCES UNLESS OTHERWISE SPECIFIED:
MM	
	0 PLC ± 0.2
	1 PLC ± 0.2
	2 PLC ± 0.2
	3 PLC ± 0.2
	4 PLC ± 0.2
	ANGLES ± 3'
MATERIAL	FINISH

INSTRUCTION SHEET	WIRE RANGE	INSULATION DIA
DWN	Tyco Electronics Corporation Kawasaki, Japan	
CHK	ON TAPING (EMBOSS)	
APVD	0.5mm PITCH FS CONN. RECEPTACLE ASSEMBLY WITH KEY & WITHOUT BOSS	
PRODUCT SPEC	NAME	
APPLICATION SPEC	SIZE	CAGE CODE
WEIGHT	A3	00779
CUSTOMER DRAWING	DRAWING NO	RESTRICTED TO
	G-5353512	-
	SCALE 10:1	SHEET 2 OF 2
		REV A