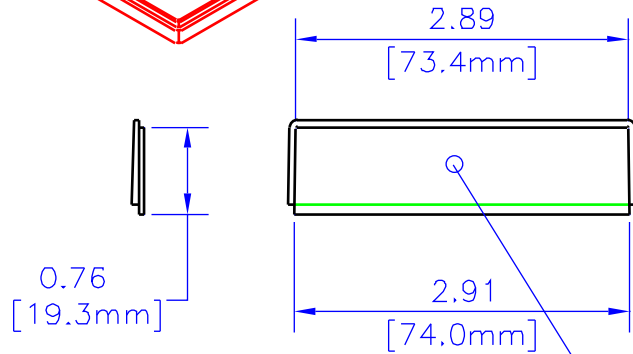
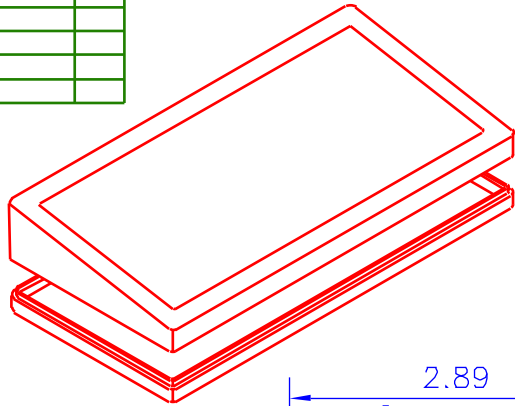
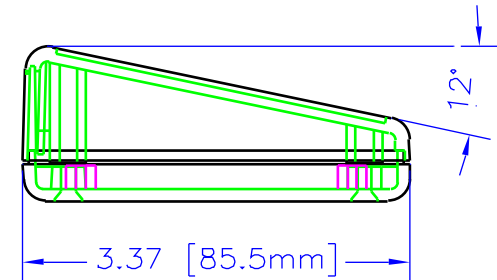
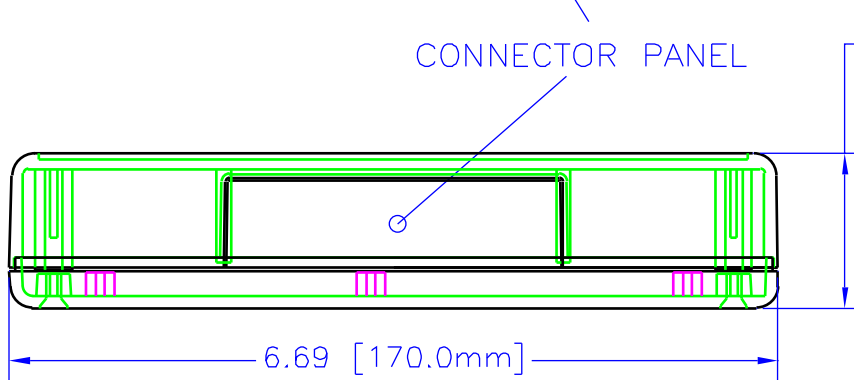


| REV | DESCRIPTION | DATE |
|-----|-------------|------|
| | | |
| | | |
| | | |
| | | |
| | | |



CONNECTOR PANEL



ASSEMBLED

NOTES

- MATERIAL** (ABS) FLAME RETARDANT UL94 VO MATERIAL WITH BRASS INSERTS IN CORNER POSTS.
(STYRENE) IS NON-FLAME RETARDANT WITHOUT BRASS INSERTS.
- PARTS** (ABS) VERSION MACHINE SCREWS M3-0.5 x 10mm, REPLACEMENT PN 1591MS100 (100 / BAG). (STYRENE) VERSION SELF TAPPING #4 x 0.5", REPLACEMENT PN 1591TS100 (100 / BAG).
- COLORS** (ABS) BLACK, & GRAY, (STYRENE) GRAY ONLY.

UNLESS OTHERWISE SPECIFIED
DIMENSIONS ARE IN INCHES

X +/- .1
XX +/- .02
XXX +/- .015
CUTS +/- .005
ANGLES +/- .5 DEG

NOTICE
WHENEVER FLAME PROPERTIES RIGHTS TO THE MATERIAL ON THIS DRAWING, IT IS INTENDED TO BE USED AS A REFERENCE FOR ENGINEERING INFORMATION ONLY. THIS INFORMATION MAY NOT BE USED TO MANUFACTURE PRODUCT WITHOUT WRITTEN PERMISSION FROM HAMMOND MANUFACTURING.



**HAMMOND
MANUFACTURING**

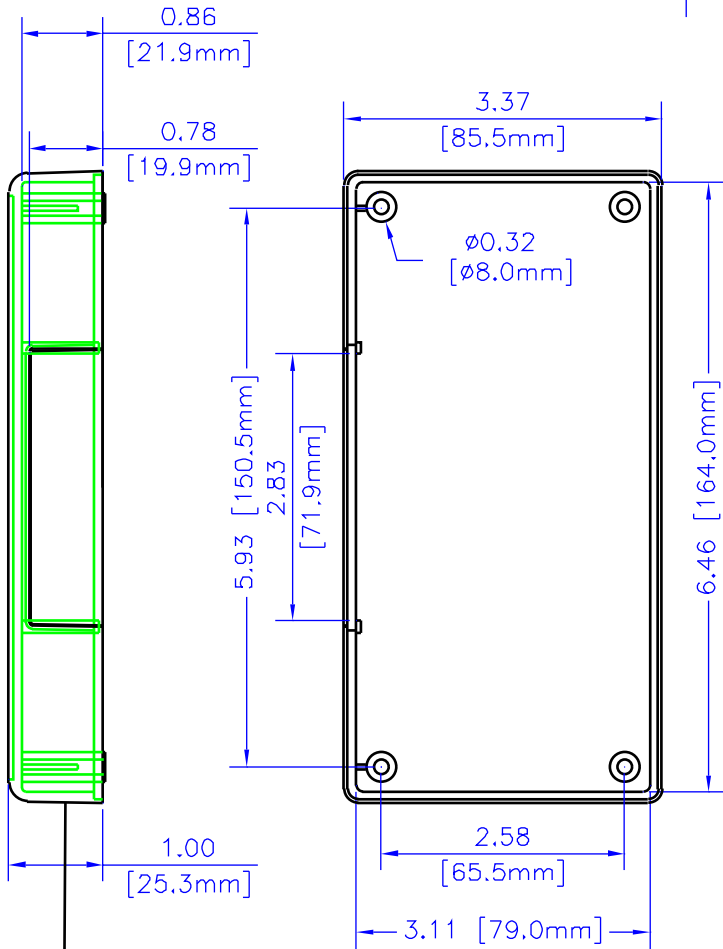
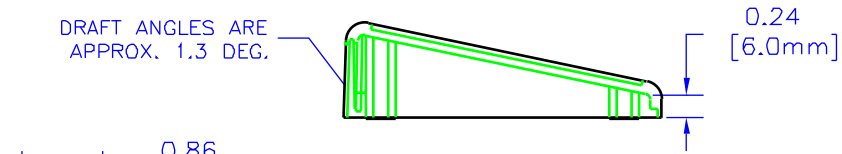
WEB: WWW.HAMMONDMFG.COM

TITLE
HAMMOND 1599 SERIES
SLOPED CONSOLE

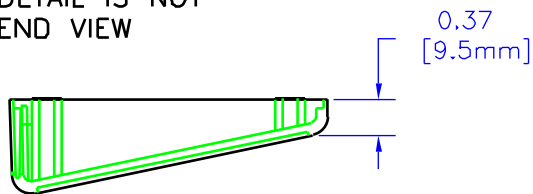
DRAWN BY MJM DATE 03/10/01
SCALE PAGE 1 OF 3

PART NUMBER
1599ETS

NOTES

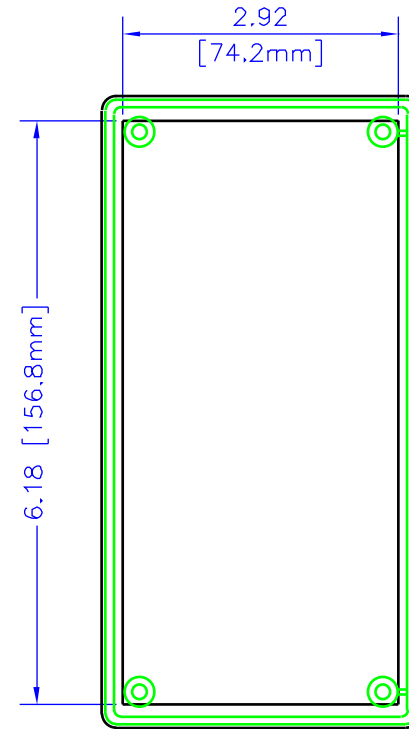
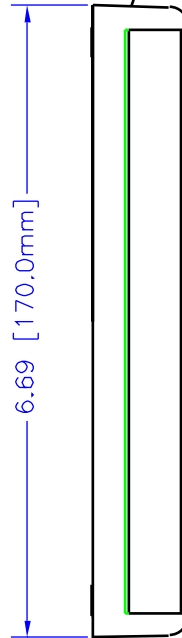


SOME INTERNAL DETAIL IS NOT SHOWN IN THIS END VIEW



INTERNAL DETAIL IS NOT SHOWN IN THIS END VIEW

INTERNAL DETAIL IS NOT SHOWN IN THIS VIEW. FACE SHOWN FLAT (NOT ANGLED)



BOX

UNLESS OTHERWISE SPECIFIED
DIMENSIONS ARE IN INCHES

X +/- .1

XX +/- .02

XXX +/- .015

CLTS +/- .005

ANGLES +/- .5 DEG

NOTICE

HAMMOND CLAIMS PROPRIETARY RIGHTS TO THE MATERIAL ON THIS DRAWING. IT IS INTENDED TO BE USED AS A REFERENCE FOR ENGINEERING INFORMATION ONLY. THIS INFORMATION MAY NOT BE USED TO MANUFACTURE PRODUCT WITHOUT WRITTEN PERMISSION FROM HAMMOND MANUFACTURING.

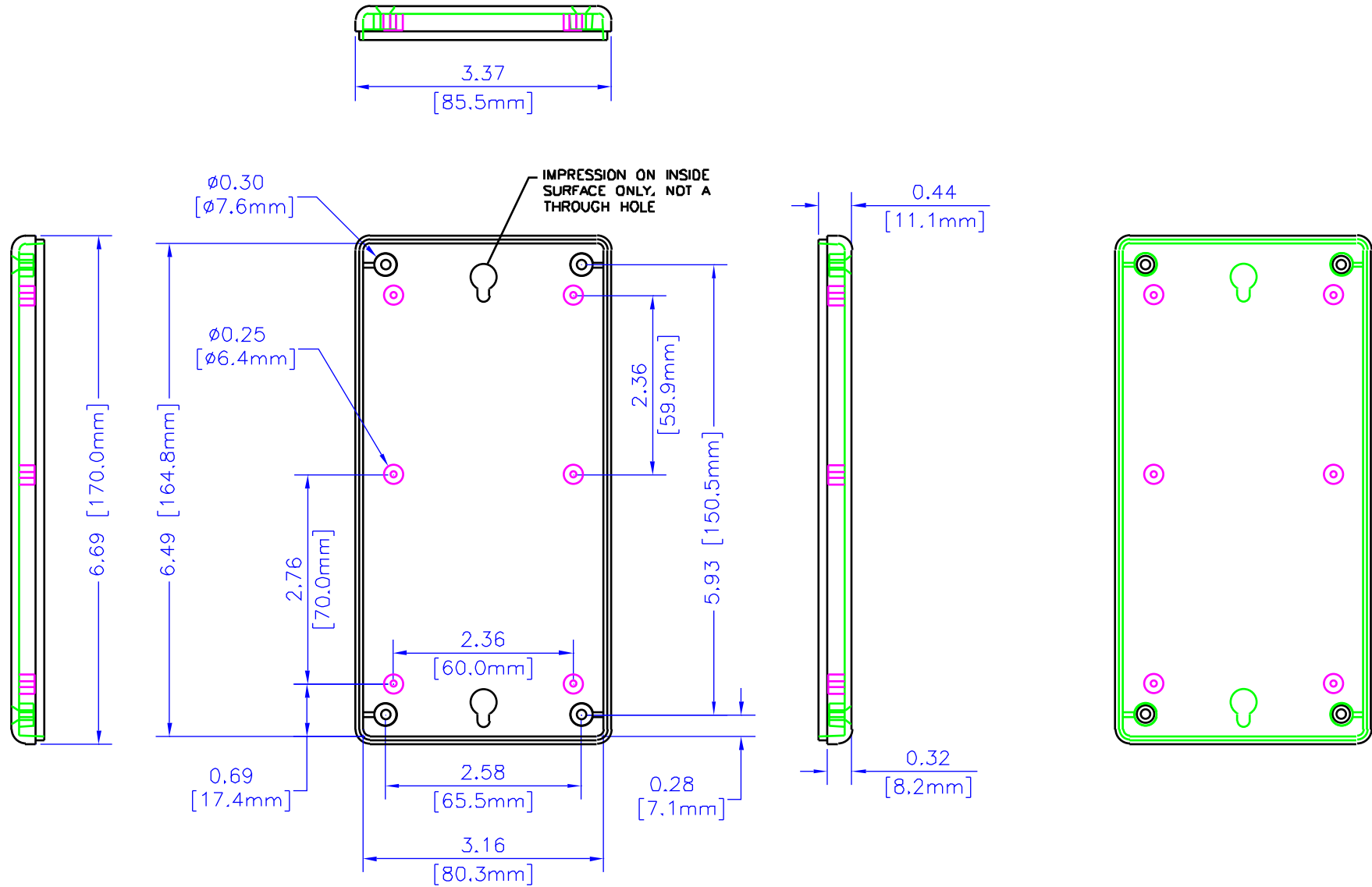


**HAMMOND
MANUFACTURING**

WEB: WWW.HAMMONDMFG.COM

| | | | |
|-------------|---------|---------------------------------------|----------|
| TITLE | | HAMMOND 1599 SERIES SLOPED CONSOLE | |
| DRAWN BY | MJM | DATE | 03/10/01 |
| SCALE | | PAGE | 2 OF 3 |
| PART NUMBER | 1599ETS | | |

NOTES



LID

UNLESS OTHERWISE SPECIFIED
DIMENSIONS ARE IN INCHES
X +/- .1
HOLE +/- .010
CUTS +/- .010
ANGLES +/- .5 DEG

NOTICE
HAMMOND CLAIMS PROPRIETARY RIGHTS TO
THE MATERIAL ON THIS DRAWING. IT IS
INTENDED TO BE USED AS A REFERENCE FOR
ENGINEERING INFORMATION ONLY. THIS
INFORMATION MAY NOT BE USED TO
MANUFACTURE PRODUCT WITHOUT WRITTEN
PERMISSION FROM HAMMOND MANUFACTURING.

**HAMMOND
MANUFACTURING**

WEB: WWW.HAMMONDMFG.COM

| | | | |
|-------------|-----|---------------------------------------|----------|
| TITLE | | HAMMOND 1599 SERIES SLOPED CONSOLE | |
| DRAWN BY | MJM | DATE | 03/10/01 |
| SCALE | | PAGE | 3 OF 3 |
| PART NUMBER | | 1599ETS | |