

Safety Switches

Product Description

SAFETY SWITCH

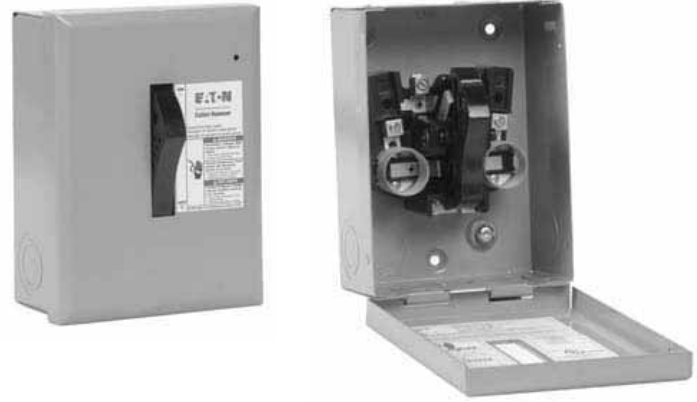
A safety switch is used to open or close an electrical circuit. Non-fusible safety switches provide a means to manually connect or disconnect the equipment from the power source. Fusible safety switches provide a means to manually open and close a circuit and overcurrent protection by using customer-installed fuses. Safety switches are also commonly referred to as a disconnect switch or simply a disconnect.

DOUBLE THROW SAFETY SWITCH

A double throw safety switch is sometimes referred to as a transfer switch. It performs the same function as a safety switch by opening or closing a circuit; however, its primary use is to transfer service from a normal power source to an alternate source (i.e., a residential generator) or to switch from one load circuit to another.

Features, Functions and Benefits

- ✓ 120/240, 240 or 600 volts.
- ✓ Easy to install.
- ✓ Ample wiring space.
- ✓ Padlockable.
- ✓ UL listed.



DP221NGB Plug Fuse Safety Switch, 30 Amperes, 120/240 Volts



DG322URB General-Duty, Non-Fusible Safety Switch, 60 Amperes, 240 Volts



DT224URK-NPS General-Duty, Non-Fusible Double Throw Emergency Power Safety Switch, 200 Amperes, 120/240 Volts



DH362UGK Heavy-Duty, Non-Fusible Safety Switch, 60 Amperes, 600 Volts

Applications

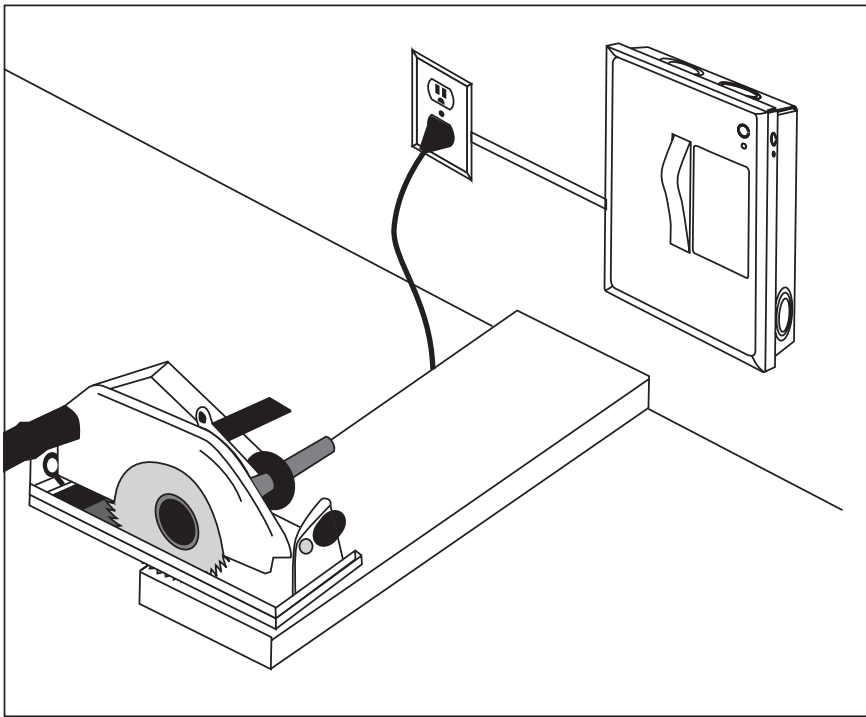


FIGURE 6-2. HOUSEHOLD WORKBENCH APPLICATION

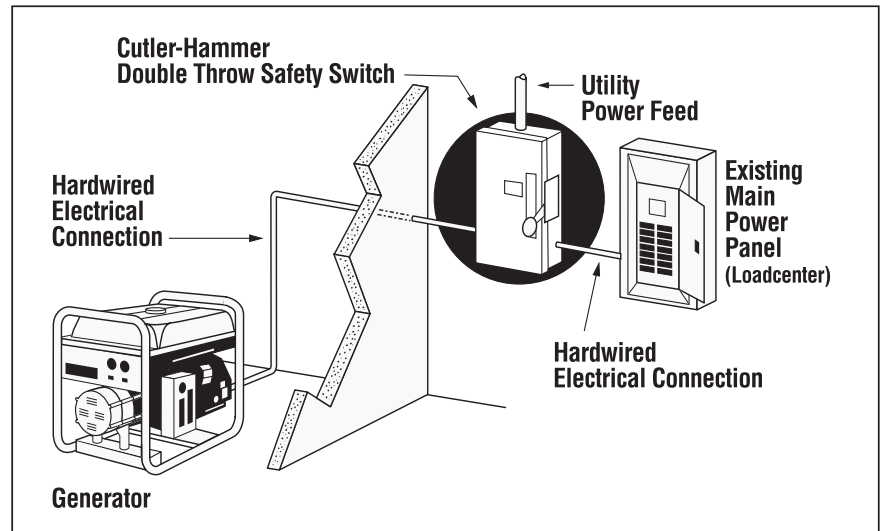


FIGURE 6-3. RESIDENTIAL GENERATOR APPLICATION WITH MANUALLY OPERATED DOUBLE THROW SAFETY SWITCH

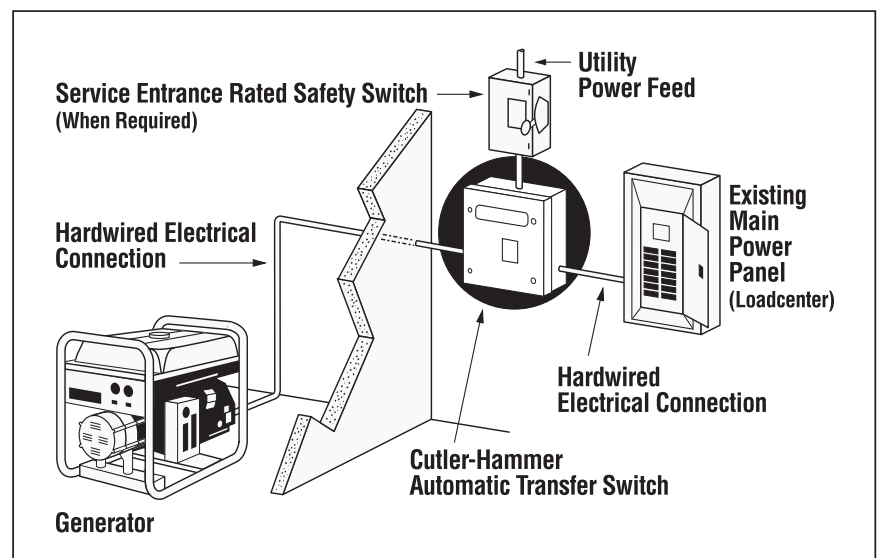
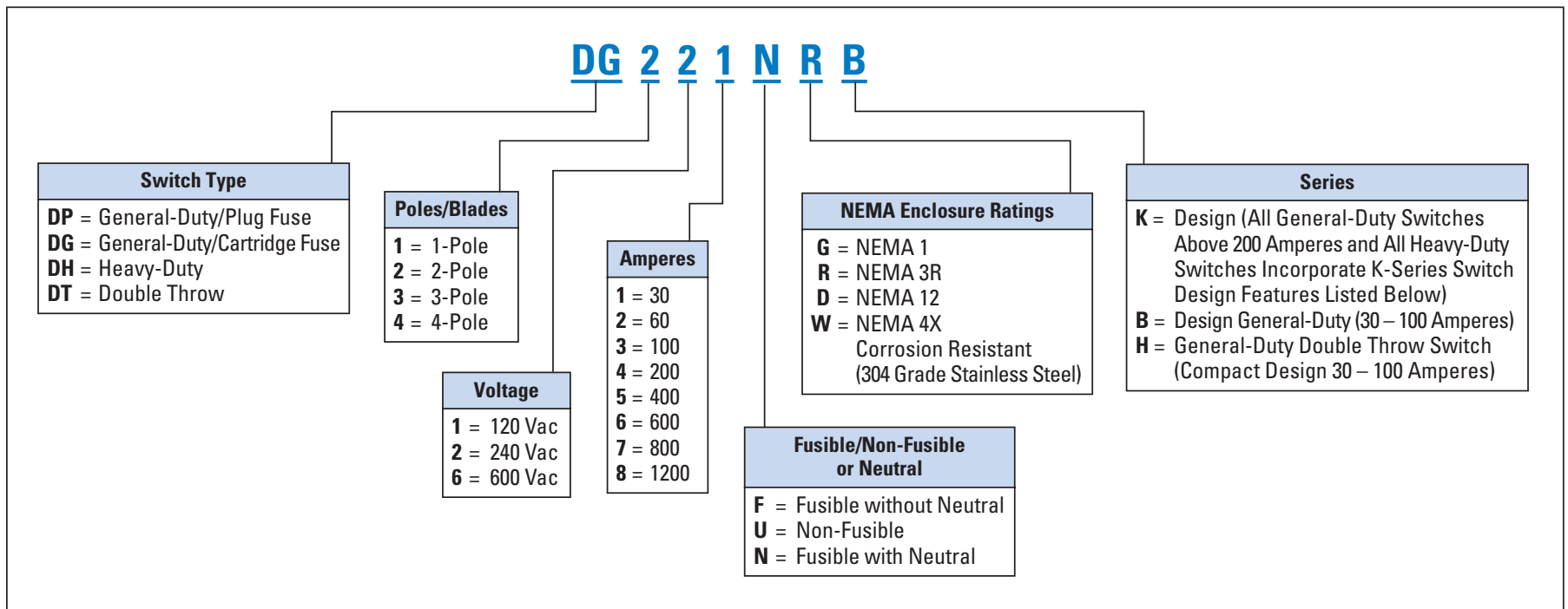


FIGURE 6-4. RESIDENTIAL GENERATOR APPLICATION WITH AUTOMATIC TRANSFER SWITCH AND SERVICE ENTRANCE RATED SAFETY SWITCH

Catalog Numbering System

TABLE 6-14. SAFETY SWITCH CATALOG NUMBERING SYSTEM



600 VAC HEAVY-DUTY, FUSIBLE, SINGLE THROW

Specifications

- ✓ 30 – 1200 amperes.
- ✓ Horsepower rated.

- ✓ Suitable for service entrance use, except 1200 ampere on 480Y/277 or 600Y/347 grounded wye systems, per NEC® 215-10 and 230-95, and 4-pole switches.
- ✓ UL listed File No. E5239.

TABLE 6-19. FUSIBLE 277/480 – 600 VOLTS

Ampere Rating	Fuse Class Provision	Maximum Horsepower Ratings with Time Delay Fuses						Catalog Number							
		1-Phase ac		3-Phase ac		dc		NEMA 1 Enclosure Indoor	UPC Code	NEMA 3R Enclosure Rainproof	UPC Code	NEMA 12 Enclosure Industrial, Dust-tight	UPC Code	NEMA 4X Enclosure Corrosion Resistant, Stainless Steel	UPC Code
		480 V	600 V	480 V	600 V	250 V	600 V								
2-Pole — 480 Vac — 600 Vac or dc ^①															
(Suitable for Service Entrance Use with a Neutral or Ground Lug Kit Installed)															
30	H	7-1/2	10	—	—	—	15	DH261FGK	782113205465	③	—	DH261FDK ^④	782113205564	DH261FWK	782113205588
60	H	20	25	—	—	—	25	DH262FGK	782113205960	③	—	DH262FDK ^④	782113206097	② or ③	—
100	H	30	40	—	—	—	20	DH263FGK	782113206363	③	—	DH263FDK ^④	782113206523	② or ③	—
200	H	50	50	—	—	—	50	DH264FGK	782113206776	③	—	DH264FDK ^④	782113206844	DH264FWK	782113206868
400	H	—	—	—	—	—	50	DH265FGK	782113207186	③	—	DH265FDK ^④	782113207292	② or ③	—
600	H	—	—	—	—	—	—	DH266FGK	782113207537	③	—	DH266FDK ^④	782113589626	② or ③	—
800	L	—	—	—	—	—	—	DH267FGK	782113589688	③	—	DH267FDK ^④	782113589794	② or ③	—
1200	L	—	—	—	—	—	—	②	—	③	—	②	—	②	—
3-Pole — 480 Vac — 600 Vac, 250 Vdc															
(Suitable for Service Entrance Use with a Neutral or Ground Lug Kit Installed)															
30	H	7-1/2	10	15	20	—	—	DH361FGK	782113205489	DH361FRK	782113205496	DH361FDK ^④	782113205595	DH361FWK	782113205618
60	H	20	25	30	50	—	—	DH362FGK	782113205977	DH362FRK	782113205991	DH362FDK ^④	782113206141	DH362FWK	782113206165
100	H	30	40	60	75	—	—	DH363FGK	782113206417	DH363FRK	782113206424	DH363FDK ^④	782113206554	DH363FWK	782113206585
200	H	50	50	125	150	—	—	DH364FGK	782113206783	DH364FRK	782113206790	DH364FDK ^④	782113206875	DH364FWK	782113206905
400	H	—	—	250	350	—	—	DH365FGK	782113207209	DH365FRK	782113207216	DH365FDK ^④	782113207315	DH365FWK	782114357378
600	H	—	—	400	500	—	—	DH366FGK	782113207551	DH366FRK	782113207568	DH366FDK ^④	782113207636	DH366FWK	782114357491
800	L	—	—	500	500	—	—	DH367FGK	782113589725	DH367FRK	782113589732	DH367FDK ^④	782113589848	DH367FWK	782114357606
1200	L	—	—	500	500	—	—	DH368FGK	782114312919	DH368FRK	782114313022	DH368FDK	782116120970	DH368FWK	782116121007
4-Wire (Three Blades, 3-Fuses, S/N) 480 Vac— 600 Vac, 250 Vdc															
30	H	7-1/2	10	15	20	—	—	DH361NGK	782113205526	DH361NRK	782113205533	DH361NDK ^④	782113205731	DH361NWK	782113211770
60	H	20	25	30	50	—	—	DH362NGK	782113206035	DH362NRK	782113206059	DH362NDK ^④	782113206189	DH362NWK	782113206196
100	H	30	40	60	75	—	—	DH363NGK	782113206486	DH363NRK	782113206493	DH363NDK ^④	782113206592	DH363NWK	782113206608
200	H	50	50	125	150	—	—	DH364NGK	782113206820	DH364NRK	782113206837	DH364NDK ^④	782113206912	DH364NWK	782113206929
400	H	—	—	250	350	—	—	DH365NGK	782113207247	DH365NRK	782113207261	DH365NDK ^④	782113207346	DH365NWK	782114357415
600	H	—	—	400	500	—	—	DH366NGK	782113207599	DH366NRK	782113207605	DH366NDK ^④	782113207667	DH366NWK	782114357538
800	L	—	—	500	500	—	—	DH367NGK	782113639260	DH367NRK	782113639277	② ④	—	②	—
1200	L	—	—	500	500	—	—	DH368NGK	782114312933	DH368NRK	782114313046	DH368NDK	782116120987	DH368NWK	782116121014
4-Pole — 2-Phase ac 3-Phase ac															
480 Vac—															
600 Vac,															
250 Vdc															
30	H	20	25	15	20	—	—	DH461FGK	782113205540	④	—	② ④	—	②	—
60	H	40	50	30	50	—	—	DH462FGK	782113206066	④	—	② ④	—	②	—
100	H	50	50	60	75	—	—	DH463FGK	782113206509	④	—	DH463FDK ^④	782113206615	②	—
200	H	—	—	125	150	40	—	DH464FGK	782114121313	④	—	DH464FDK ^④	782113206981	②	—
400	H	—	—	250	350	50	—	DH465FGK	782113952208	② ④	—	② ④	—	②	—
600	H	—	—	400	500	—	—	DH466FGK	782113952222	② ④	—	② ④	—	②	—
800	L	—	—	500	500	—	—	②	—	② ④	—	② ④	—	②	—

① dc rating for 400 – 800 ampere switches is 250 volts.

② Contact the Safety Switch Flex Center (1-888-329-9272) for availability of this product.

③ Use 3-pole catalog numbers below.

④ NEMA 12 enclosures (30 – 800 amperes) can be field modified to meet NEMA 3R rainproof requirements when a factory provided drain hole is opened.

⑤ Use 3-pole catalog numbers below.

Note: 30 ampere heavy-duty switches with Type J fuse provisions are available from the factory only.