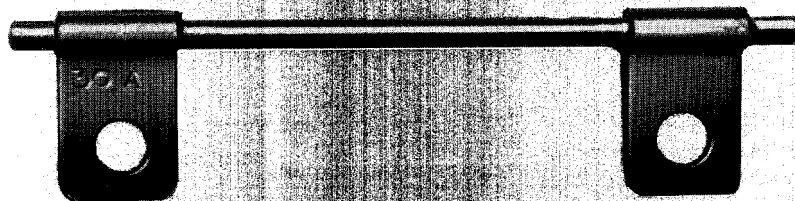
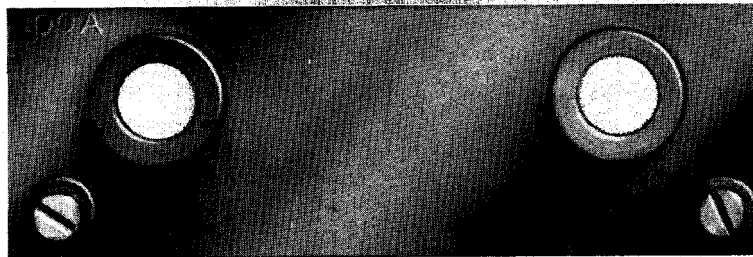
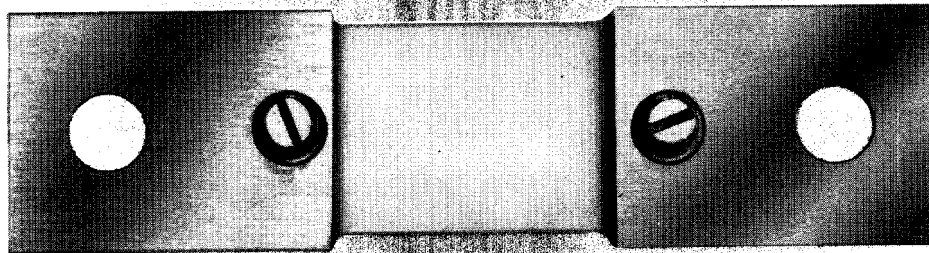


HOBUT

Howard Butler Limited
Crown Works
Lincoln Road
Walsall WS1 2EB
Telephone: (0922) 640003
Fax No. (0922) 723626

Howard Butler Limited

Shunts





Howard Butler Limited
 Crown Works
 Lincoln Road
 Walsall WS1 2EB
 Telephone: (0922) 640003
 Fax No. (0922) 723626

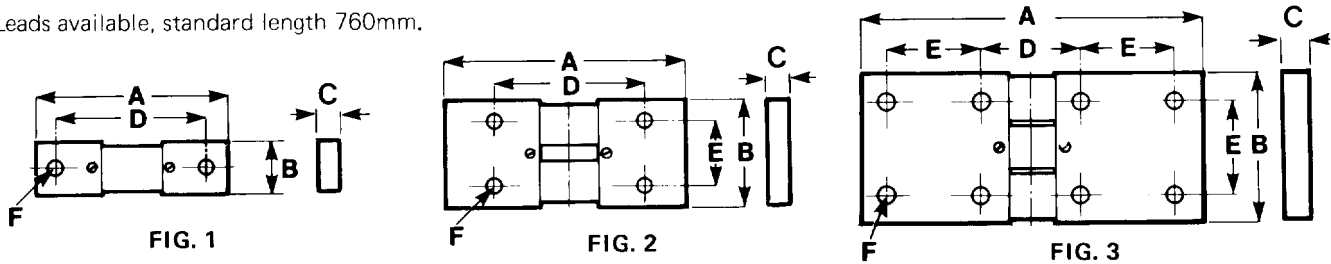
Howard Butler Limited Shunts



Brass Ended Shunts to BS89 Class 1

Our standard range of Brass Ended Shunts are manufactured with a 75mV or 60mV output, however, other outputs are available.

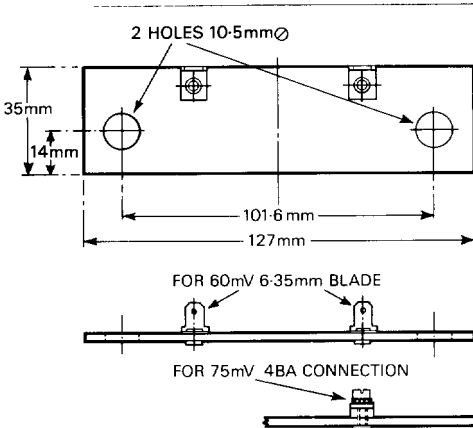
Leads available, standard length 760mm.



Current rating Amps	Fig.	A	B	C	D	E	F
0 - 35	1	117.5	22.3	9.5	95.3	—	6.8
36 - 200	1	120.5	31.8	12.5	95.3	—	10.5
201 - 400	1	146	31.8	19	95.3	—	10.5
401 - 1600	2	146	66.5	25.4	95.3	41.3	10.5
1601 - 3000	3	263.5	111	38	95.3	57	10.5
3001 - 5000	3	324	140	38	95.3	89	12.8

Plate Shunts Class 1.5

An economical range of plate shunts is available which does not conform to B.S.89 but is adequate for certain applications.



Ranges	
60mV	75mV
50A	50A
60A	60A
75A	75A
100A	80A
150A	100A
180A	150A
200A	180A
250A	200A
300A	250A
	300A

Special Shunts

A wide range of special shunts are available in various current ratings, and our design department will be pleased to discuss special applications.

Ordering Details

1. Shunt Type.
2. Current rating.
3. Millivolt Output.
4. Length of leads required (Brass ended shunts only).