

## Series 2

## Dial Indicators (Metric)

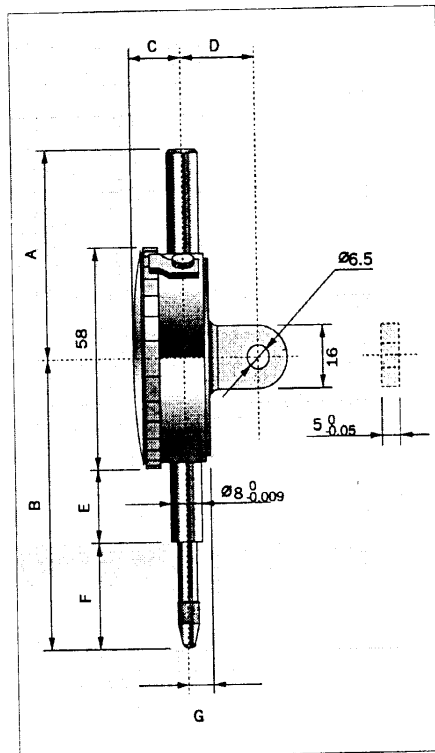
Diameter 57.4mm (2.26")



| Range (mm) | No.      | Grad. (mm) | Range per rev. | Dial reading | Accuracy (μ) | Meas force (N) | Remarks   |
|------------|----------|------------|----------------|--------------|--------------|----------------|---|
| 1          | 2929F    | 0.01       | 1.4            | 50-0-50      | 10           | 1.4            | Limit hands, Jewelled, stroke 5mm                         |
| 1          | 2929-42  | 0.01       | 1.4            | 50-0-50      | 10           | 1.4            | Limit hands, Jewelled, stroke 5mm, limited Bezel movement |
| 5          | 2943E    | 0.01       | 1              | 0-100        | 12           | 1.4            | Limit hands, rev. counter                                 |
| 5          | 2044FE   | 0.01       | 1              | 0-100        | 10           | 1.4            | Limit hands, rev. counter                                 |
| 5          | 2045FE   | 0.01       | 1              | 0-50-0       | 10           | 1.4            | Limit hands, rev. counter                                 |
| 10         | 2046F    | 0.01       | 1              | 0-100        | 12           | 1.4            | Limit hands, rev. counter                                 |
| 10         | 2046E-10 | 0.01       | 1              | 0-100        | 15           | 0.8            | Limit hands, rev. counter, Jewelled, low measuring force  |
| 10         | 2047FE   | 0.01       | 1              | 0-50-0       | 12           | 1.4            | Limit hands, rev. counter                                 |
| 10         | 2048E-10 | 0.01       | 1              | 0-100        | 15           | 1.4            | Limit hands, rev. counter, Jewelled                       |
| 20         | 2050FE   | 0.01       | 1              | 0-100        | 25           | 2.0            | Limit hands, rev. counter                                 |
| 30         | 2052FE   | 0.01       | 1              | 0-100        | 30           | 2.2            | Limit hands, rev. counter                                 |
| 10         | 2310     | 0.01       | 1              | 0-100        | 15           | 1.4            | Limit hands, large rev. counter                           |
| 20         | 2320FE   | 0.01       | 1              | 0-100        | 25           | 2.0            | Limit hands, large rev. counter                           |
| 30         | 2330     | 0.01       | 1              | 0-100        | 30           | 2.2            | Limit hands, large rev. counter                           |
| 0.16       | 2009E-10 | 0.001      | 0.2            | 80-0-80      | 2            | 1.5            | Limit hands, rev. counter, Jewelled                       |
| 1          | 2109F    | 0.001      | 0.2            | 0-100-0      | 3            | 1.5            | Limit hands, rev. counter, Jewelled                       |
| 2          | 2113F    | 0.001      | 0.2            | 0-100-0      | 5            | 1.5            | Limit hands, rev. counter, Jewelled                       |
| 5          | 2119-50  | 0.001      | 0.2            | 0-100-0      |              | 1.5            | Limit hands, rev. counter, Jewelled                       |
| 5          | 2124-50  | 0.005      | 0.5            | 0-50         | 10           | 1.5            | Limit hands, rev. counter, Jewelled                       |
| 5          | 2125-50  | 0.005      | 0.5            | 0-25-0       | 10           | 1.5            | Limit hands, rev. counter, Jewelled                       |

● Dimensions

unit:mm



| Code No. | A  | B    | C  | D  | E    | F    | G |
|----------|----|------|----|----|------|------|---|
| 2929F    | 46 | 66   | 17 | 20 | 17.5 | 19.5 | 9 |
| 2929-42  | 46 | 66   | 18 | 20 | 20   | 17   | 9 |
| 2943E    | 45 | 65   | 15 | 20 | 17.5 | 19.5 | 8 |
| 2044FE   | 46 | 65   | 17 | 20 | 17.5 | 19.5 | 8 |
| 2045FE   | 46 | 65   | 17 | 20 | 17.5 | 19.5 | 8 |
| 2046F    | 46 | 65   | 17 | 20 | 17.5 | 19.5 | 8 |
| 2046E-10 | 49 | 65   | 15 | 20 | 17.5 | 19.5 | 8 |
| 2047FE   | 46 | 65   | 17 | 20 | 17.5 | 19.5 | 8 |
| 2048E-10 | 47 | 65   | 11 | 20 | 17.5 | 19.5 | 8 |
| 2050FE   | 40 | 75   | 17 | 20 | 17.5 | 29.7 | 8 |
| 2052FE   | 40 | 88.5 | 17 | 20 | 17.5 | 43   | 8 |
| 2310     | 45 | 65   | 15 | 20 | 17.5 | 19.5 | 8 |
| 2320FE   | 40 | 76   | 17 | 20 | 17.5 | 30   | 8 |
| 2330     | 37 | 88.5 | 15 | 20 | 17.5 | 43   | 8 |
| 2009E-10 | 45 | 60   | 15 | 20 | 17.5 | 14.5 | 9 |
| 2109F    | 37 | 60   | 17 | 20 | 17.5 | 15   | 8 |
| 2113F    | 46 | 60.5 | 17 | 20 | 17.5 | 15   | 9 |
| 2119-50  | 46 | 64   | 18 | 20 | 21   | 14   | 9 |
| 2124-50  | 46 | 61   | 18 | 20 | 17   | 15   | 9 |
| 2125-50  | 46 | 61   | 18 | 20 | 17   | 15   | 9 |