

# MICRO SWITCH

FREEMONT ILLINOIS U S A  
A DIVISION OF HONEYWELL

FED. MFG. CODE 91929

# SWITCH - BASIC

CATALOG LISTING

## BZ-2RQIT04

M8805/1-020

ISSUE 10

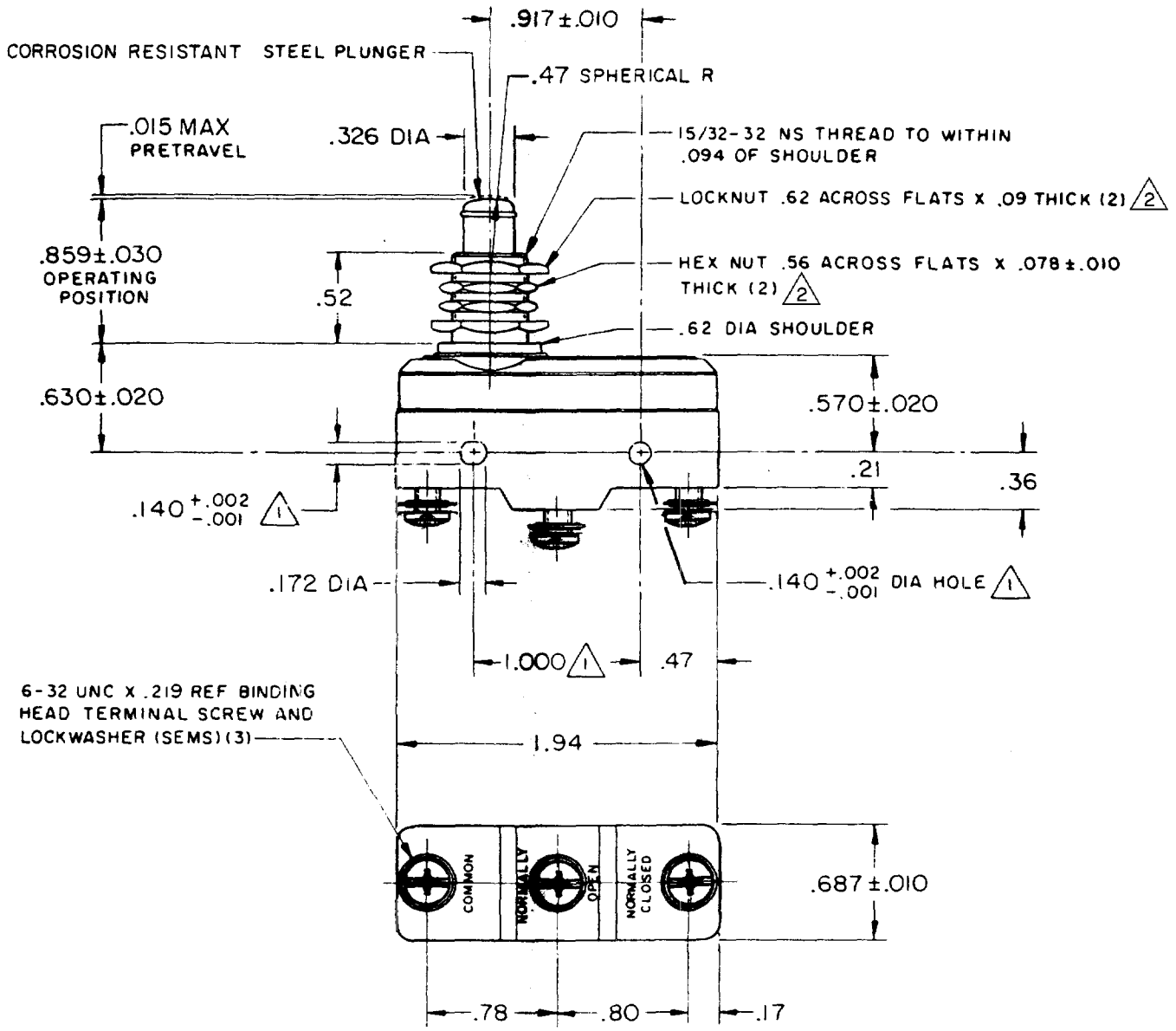
BZ-2RQIT04

DRAWING NUMBER

ISSUE 10

REVISIONS

A	CO-22575	R E R	JAN 68
B	CO-22575	GFS	AUG 68
C	CO-69351-D	JWB	JUL 91
D	CO-82133	CSL	JUL 96



- NOTES
- ① MOUNTING HOLES WILL ACCEPT PINS OR SCREWS OF .139 MAX DIA ON 1.000 ± .002 CENTERS
  - ② HARDWARE IS FURNISHED UNASSEMBLED

THIS DRAWING COVERS A PROPRIETARY ITEM AND IS THE PROPERTY OF MICRO SWITCH, A DIVISION OF HONEYWELL. THIS DRAWING IS NOT TO BE COPIED OR USED WITHOUT THE APPROVAL OF MICRO SWITCH.

CHARACTERISTICS	ELECTRICAL DATA	SCALE FULL
OPERATING FORCE - - - - - 9-13 OZ	CONTACT ARRANGEMENT S P D T	DO NOT SCALE PRINT
RELEASE FORCE - - - - - 6 OZ MIN		UNLESS OTHERWISE NOTED
DIFFERENTIAL TRAVEL - - - .0004-.0020		DIMENSIONS ARE IN INCHES
OVERTRAVEL - - - - - .219 MIN		<b>TOLERANCES ARE:</b>
		ONE PLACE (.01) ± .030
		TWO PLACE (.001) ± .015
		THREE PLACE (.000) ± .009
		ANGLES ± .009
		WEIGHT .095 LB

FORMTEK  
10-30378-1A

RE R B JAN 68