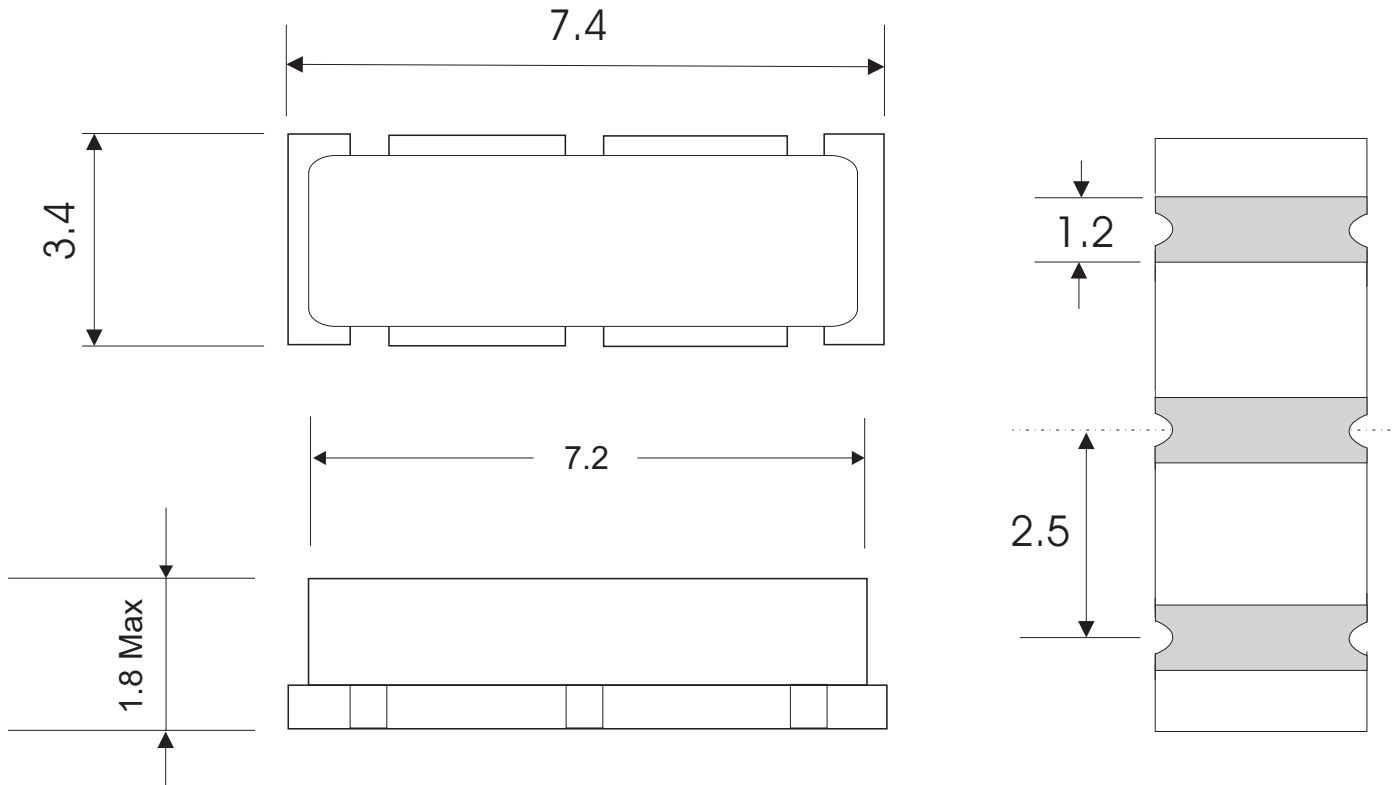
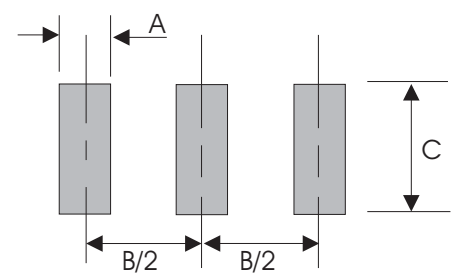


All Dimensions in mm



Product Type		ZTCC		<p>Recommended Land Dimensions</p>  <table border="1" data-bbox="1039 1648 1331 1806"> <tr> <td>A - 1.4 to 2.0</td> </tr> <tr> <td>B - 5.0</td> </tr> <tr> <td>C - 3.7 to 4.3</td> </tr> </table>		A - 1.4 to 2.0	B - 5.0	C - 3.7 to 4.3
A - 1.4 to 2.0								
B - 5.0								
C - 3.7 to 4.3								
Frequency		2.000 ~ 8.000 MHz						
Frequency Accuracy		+/- 0.5% @ 25Deg C						
Temperature Stability		+/- 0.3%						
Temperature Range		-20 to +80 Deg C						
Aging over 10 Years		+/- 0.3%						
Amdt	Change Note	Date	Originator	Issue No 1	AEL Crystals Ltd Specification No ZTCC Series			
		18.06.2002	SDM					
				Dated 18.06.2002				