

Type series H 37



- 7- or 8-digit hour meter
- Without reset
- High shock resistance
- small dimensions
- magnified figures
- Protection IP 65 (front)
- Data retention if power is lost
- Long service life
- Built in counter (H37.4)
- UL-approved

Applications

general counting, service interval for measurement systems (respiratory ventilators, oxygen machines, dialysis machines), small appliances, UV lamps, display panels in cars.

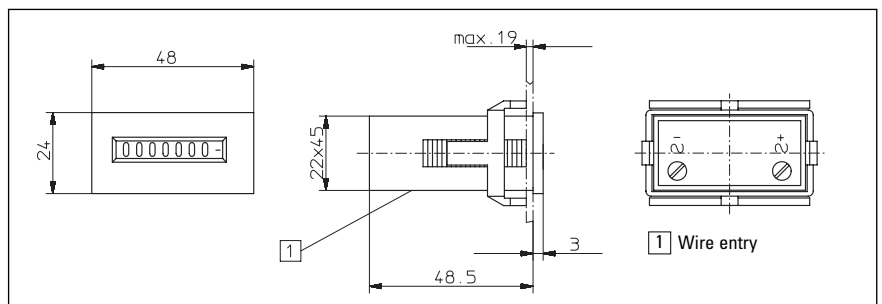
Technical data:

Electrical connection:	Screw terminal, tightening torque max 0,8 Nm
Power consumption:	10 ... 30 V DC: appr. 500 mW 36 ... 80 V DC: appr. 900 mW 100 ... 130 V DC: appr. 750 mW 20 ... 30 V AC, 50 Hz: appr. 0.3 VA 42 ... 48 V AC , 50 Hz appr. 0.25 VA 100 ... 130 V AC , 50 Hz appr. 0.6 VA 187 ... 264 V AC , 50Hz appr. 1.2 VA
Rated voltages:	20 ... 30/42 ... 48/100 ... 130/187 ... 264 V AC 50 or 60 Hz, 10 ... 30/36 ... 80/100 ... 130 V DC
On time:	100 %
Display:	7 at AC: 99999.99 8 at DC: 999999.99
Accuracy:	AC: Supply frequency + 30 ms DC: < 0.003 % (24 h)
Count mode:	adding
Height of figures:	4 mm
Colour of figures:	white and red on black
Reset:	no
Ambient temperature:	-10 ... +50 °C
Mounting position:	any
Protection:	IP 65 (front-side, built in)
Housing:	Plastic , IP 65 are sealed

Weight:	
H 37 appr.	50 g
Slip on bezel 37.1	6 g
Slip on bezel 37.2	2g
Options:	1. Colour of housing: grey Art-No. 3.130.X50.XXX 2. Electrical connection: a) Flat pins 0.8 x 6,3 mm Art-No.: 3.24X.20X.XXX.011 b) Screw terminal with terminal cover Art-No.: 3.24X.20X.XXX.456

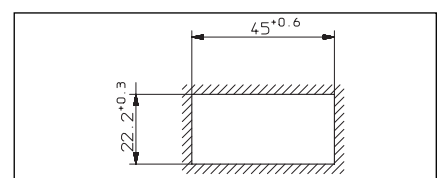
Accessories:	
Slip on bezel 37.1	black: Art-No.: T008.161 grey: Art-No.: T008.160
Slip on bezel 37.2	black: Art-No.: T008.165 grey: Art-No.: T008.164
Terminal cover KA37	2 pcs required per counter Art-No.: T051.687
Seal:	Art-No.: N511015 for H 37.2 and H 37.4 Art-No.: N511029 for H 37 and H 37.5
Approvals:	UL for USA and Canada E128604

H 37

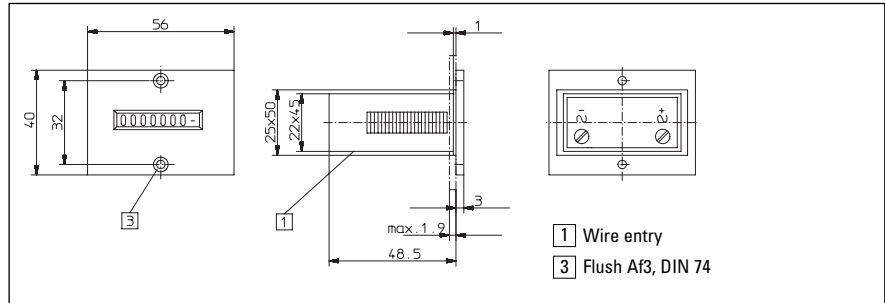


Voltage	Art-No. (AC), 50 Hz	Art-No. (AC), 60 Hz	Art-No. (V DC)
10 ... 30			3.240.201.351
20 ... 30	3.240.201.071	3.240.201.081	
36 ... 80			3.240.201.353
42 ... 48	3.240.201.072	3.240.201.082	
100 ... 130	3.240.201.074	3.240.201.084	3.240.201.381
187 ... 264	3.240.201.075	3.240.201.085	

Panel cut-out

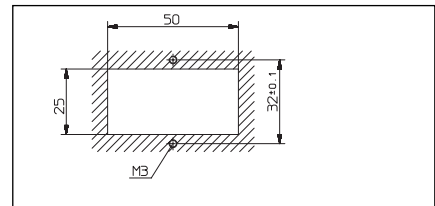


H 37.1

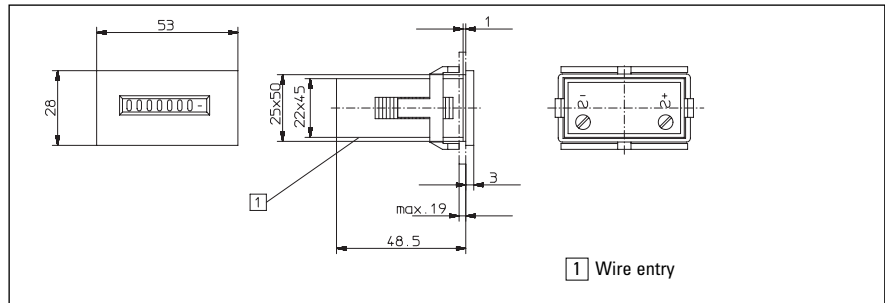


Voltage	Art-No. (AC), 50 Hz	Art-No. (AC), 60 Hz	Art-No. (V DC)
10 ... 30			3.241.201.351
20 ... 30	3.241.201.071	3.241.201.081	
36 ... 80			3.241.201.353
42 ... 48	3.241.201.072	3.241.201.082	
100 ... 130	3.241.201.074	3.241.201.084	3.241.201.381
187 ... 264	3.241.201.075	3.241.201.085	

Panel cut-out

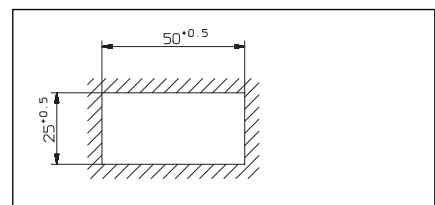


H 37.2

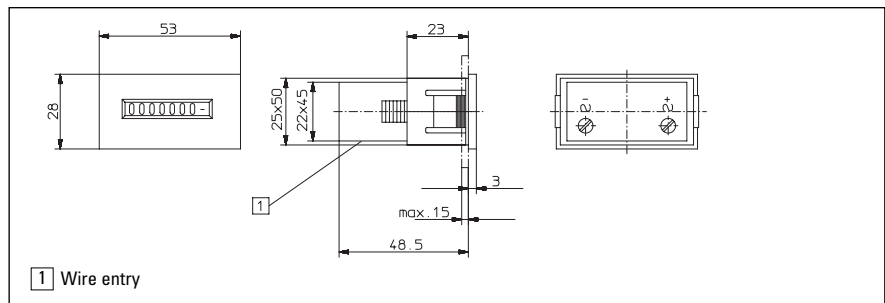


Voltage	Art-No. (AC), 50 Hz	Art-No. (AC), 60 Hz	Art-No. (V DC)
10 ... 30			3.242.201.351
20 ... 30	3.242.201.071	3.242.201.081	
36 ... 80			3.242.201.353
42 ... 48	3.242.201.072	3.242.201.082	
100 ... 130	3.242.201.074	3.242.201.084	3.242.201.381
187 ... 264	3.242.201.075	3.242.201.085	

Panel cut-out

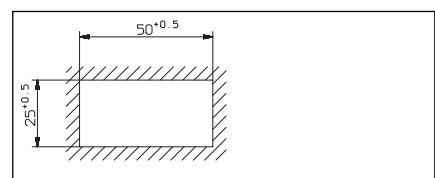


H 37.4

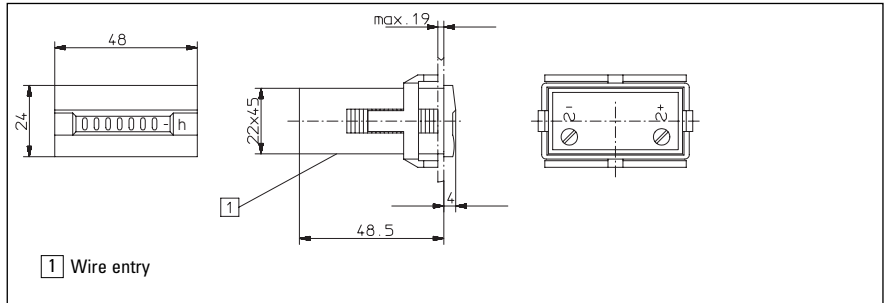


Voltage	Art-No. (AC), 50 Hz	Art-No. (AC), 60 Hz	Art-No. (V DC)
10 ... 30			3.244.201.351
20 ... 30	3.244.201.071	3.244.201.081	
36 ... 80			3.244.201.353
42 ... 48	3.244.201.072	3.244.201.082	
100 ... 130	3.244.201.074	3.244.201.084	3.244.201.381
187 ... 264	3.244.201.075	3.244.201.085	

Panel cut-out

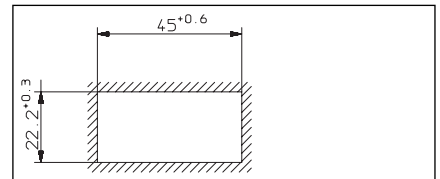


H 37.5

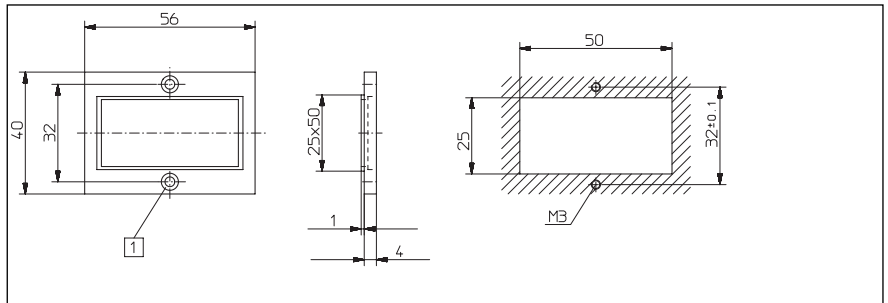


Voltage	Art-No. (AC), 50 Hz	Art-No. (AC), 60 Hz	Art-No. (V DC)
10 ... 30			3.245.201.351
20 ... 30	3.245.201.071	3.245.201.081	
36 ... 80			3.245.201.353
42 ...	3.245.201.072	3.245.201.082	
100 ... 130	3.245.201.074	3.245.201.084	3.245.201.381
187 ... 264	3.245.201.075	3.245.201.085	

Panel cut-out



Slip on bezel 37.1

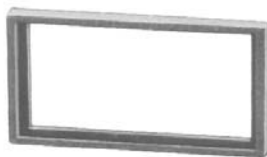


1 Countersunk Af3, DIN 74

black: Art-No. T008.161

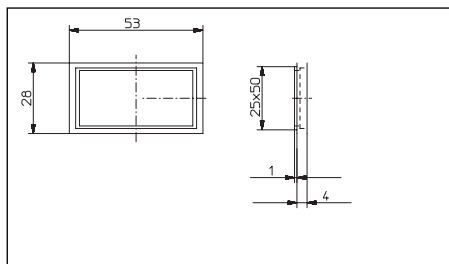
2 Panel cut-out

Slip on bezel 37.2



Panel cut-out 50 x 25 mm

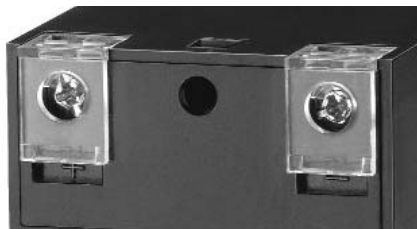
black: Art-No.: T008.165



Terminal cover KA 37



black: Art-No.: T051.687
(2 pcs required/counter)



Sealing gasket for H37 and H37.5:
Art-No.: N511.029

Sealing gasket for H37.2 and H37.4:
Art-No.: N511.015