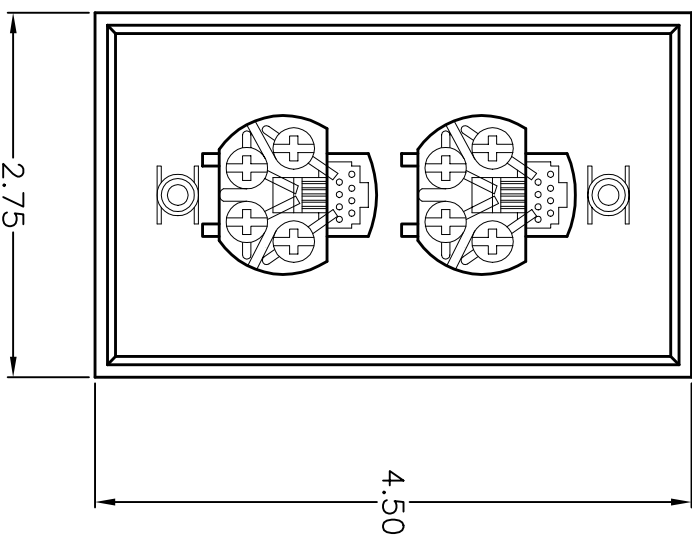
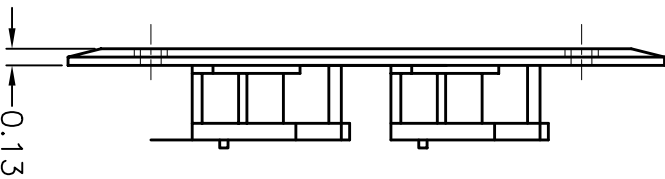
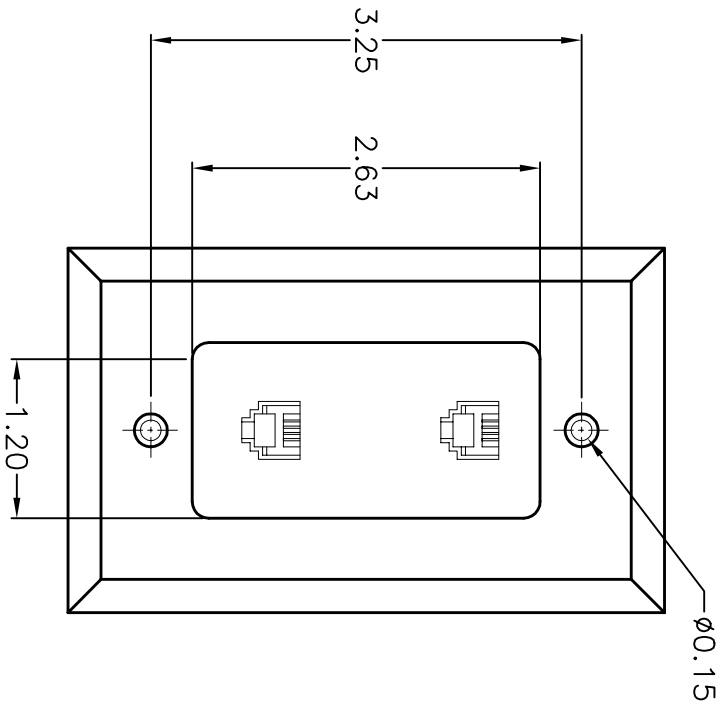


ALL RIGHTS RESERVED. NO PORTION OF THIS PUBLICATION, WHETHER IN WHOLE OR IN PART CAN BE REPRODUCED WITHOUT THE EXPRESS WRITTEN CONSENT OF SPC TECHNOLOGY.

REVISIONS			DOC. NO.	SPC-F005	Effective: 12/21/98	DCP No. 680
DCP #	REV	DESCRIPTION	DRAWN	DATE	CHECKD	DATE
788	A	RELEASED	HYO	4/5/00	JC	8/1/00
					DJC	8/7/00



SPECIFICATIONS:

- CONNECTOR: 6 POSITION / 4 CONDUCTOR
- LEADWIRE: 26 AWG, 7 STRAND
- LEADWIRE COLORS: BLACK, RED, GREEN, YELLOW
- SPRING WIRE: 0.45mm (0.018 in) DIAMETER, PHOSPHOROUS BRONZE ALLOY
- HOUSING MATERIAL: ABS AND POLYCARBONATE
- COLOR: WHITE
- HARDWARE: (2) #8-32 MACHINE SCREWS
- INSULATION RESISTANCE: ≥ 500 MEGOHMS
- DIELECTRIC STRENGTH: 500 V AC RMS, 60 HZ
- CONTACT RESISTANCE: ≤ 15 MILLIOHMS
- CURRENT RATING: 1-1/2 AMPS
- RETENTION FORCE: 76 N (17 lbs)
- CRIMPING STRENGTH: 2.0 Kg (4.4 lbs)

DISCLAIMER:
ALL STATEMENTS AND TECHNICAL INFORMATION CONTAINED HEREIN ARE BASED UPON INFORMATION AND/OR TESTS WE BELIEVE TO BE ACCURATE AND RELIABLE. SINCE CONDITIONS OF USE ARE BEYOND OUR CONTROL, THE USER SHALL DETERMINE THE SUITABILITY OF THE PRODUCT FOR THE INTENDED USE AND ASSUME ALL RISK AND LIABILITY WHATSOEVER IN CONNECTION THEREWITH.



SPC TECHNOLOGY

UNLESS OTHERWISE SPECIFIED,

DIMENSIONS ARE FOR REFERENCE PURPOSES ONLY.

DRAWN BY:	HISHAM ODISH	DATE:	4/5/00
CHECKED BY:	JOHN COLE	DATE:	8/1/00
APPROVED BY:	DANIEL CAREY	DATE:	8/7/00

DRAWING TITLE:		DUPLIX 4 CONDUCTOR WALL PLATE	
SIZE	DWG. NO.	ELECTRONIC FILE	REV
A	8588-0092	52N9449.DWG	A
SCALE:	NTS	U.O.M.: INCHES	SHEET: 1 OF 1