

378-4368

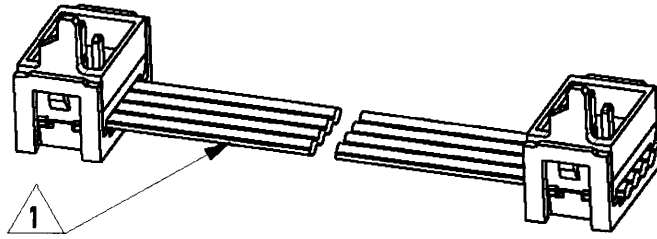
THIS DRAWING IS A CONTROLLED DOCUMENT FOR Tyco Electronics Nederland B.V.
IT IS SUBJECT TO CHANGE AND THE CONTROLLING ENGINEERING ORGANIZATION SHOULD BE CONTACTED FOR THE LATEST REVISION.

LOC	DIST	LTR	REVISION RECORD	DATE	APVD
H	-	A	EH00-1269-01	20/11/01	HS
-	-	-	-	-	-
-	-	-	-	-	-

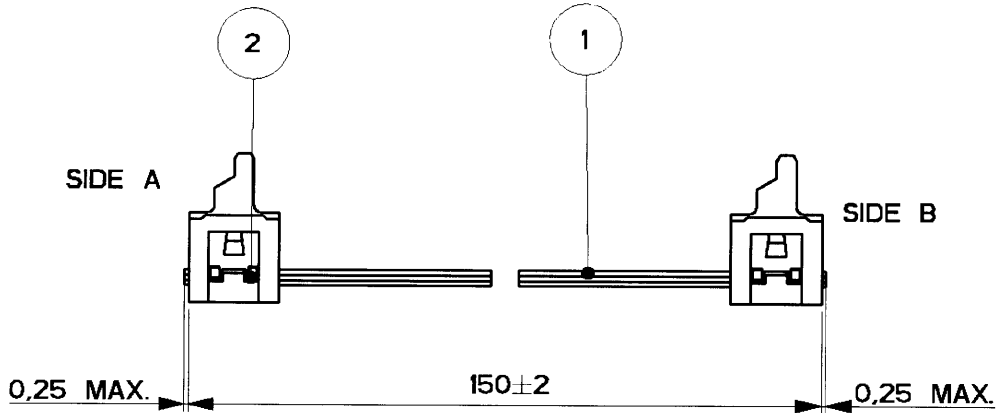
1 WIRE RED MARKED

2 ASSEMBLIES ARE PACKAGED ACCORDING PACKAGING SPEC 107-19582

SIDE A



SIDE B



Item no.	Description	QTY
2	MALE ON WIRE CONNECTOR	2
1	BULK WIRE FLAT RIBBON CABLE	1

DIMENSIONS: mm	DWN	H.Spelde	MATERIAL	FINISH
	CHK	H. Spelde	AMP Tyco Electronics Nederland B.V. 's-HERTOGENBOSCH, THE NETHERLANDS	
TOLERANCES UNLESS OTHERWISE SPECIFIED:	APVD	E. Leijtens		
0 PLC ± -	PRODUCT SPEC	-	NAME Micro-MaTch Lead Ass'y 4 POSITIONS	
1 PLC ± -	APPLICATION SPEC	-	SIZE	CAGE CODE
2 PLC ± -	WEIGHT	-	A4	00779
3 PLC ± -			DRAWING NO C-1483350-2	
4 PLC ± -			CUSTOMER DRAWING	
ANGLES ± -			SCALE	5:2
			SHEET	1 OF 1
			REV	A

ALL RIGHTS RESERVED.

DATE: -
XXXXXXXXXXXX
By Tyco Electronics Nederland B.V.

THIS DRAWING IS UNPUBLISHED.
COPYRIGHT -