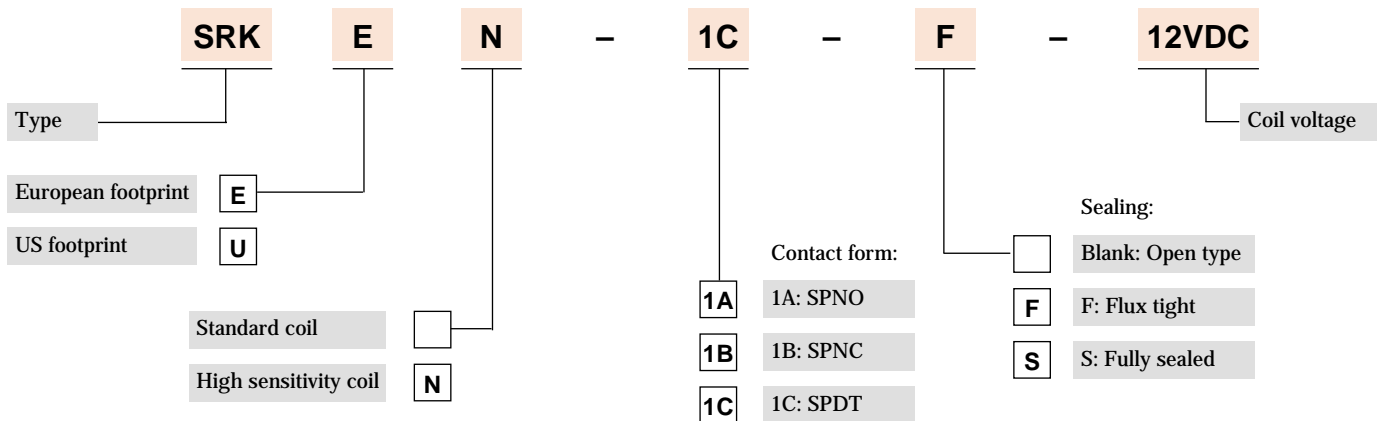


- European and USA footprint available
- 40A/14VDC rating
- Open, flux tight or fully sealed versions
- Standard and high sensitivity coils



## Options and ordering codes



## Contact rating

Contact form	1A (SPNO)	1B (SPNC)	1C (SPDT)
Maximum switching power	560W	420W	NO: 560W NC: 280W
Maximum switching voltage	30VDC		
Maximum switching/carry current	40A	30A	NO: 40A NC: 20A

## Specifications

<b>Contact material</b>		AgSnInO
<b>Initial contact resistance</b>		50mΩ Max
<b>Operate time</b>		5ms Max (at rated voltage)
<b>Release time</b>		4ms Max (at rated voltage)
<b>Nominal operating power</b>		Approx. 1.6W, high sensitivity approx. 1.2W
<b>Insulation resistance</b>		50MΩ at 500VDC
<b>Breakdown voltage</b>	<b>Between coil and contacts</b>	500VAC (for 1 minute)
	<b>Between open contacts</b>	500VAC (for 1 minute)
<b>Vibration resistance</b>	<b>Operating extremes</b>	10~50Hz, amplitude 1.5mm
<b>Shock resistance</b>	<b>Operating extremes</b>	20G, 11ms, half sine wave
<b>Ambient temperature</b>		-40~+85°C (storage -40~+130°C)
<b>Life expectancy</b>	<b>Mechanical</b>	10 x 10 <sup>6</sup> operations (frequency 18,000 operations/hour)
	<b>Electrical (at max load)</b>	1 x 10 <sup>5</sup> operations (frequency 1,200 operations/hour)
<b>Weight</b>		17.5g

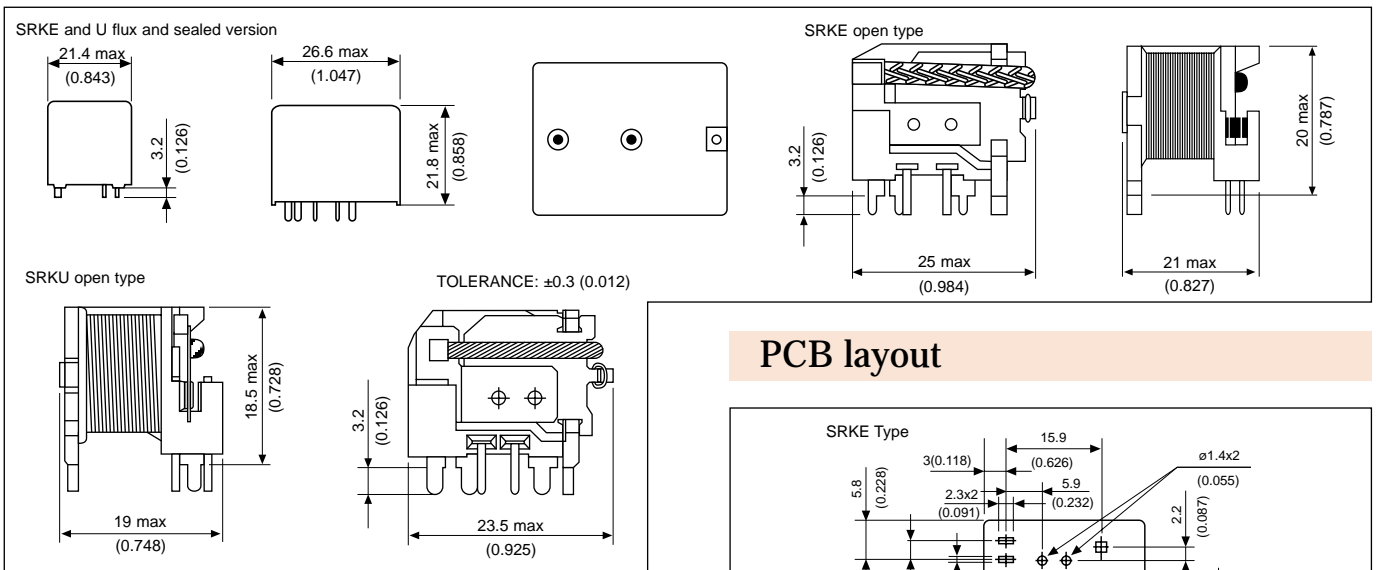
## Coil specification SRK standard

Rated voltage	Rated Current $\pm$ 10% at 25°C (mA)	Coil Resistance $\pm$ 10% at 25°C ( $\Omega$ )	Max continuous voltage at 25°C	Pick up voltage (Max) at 25°C	Drop out voltage (Min) at 25°C	Power consumption at rated load
6	315	19	125% of rated voltage	3.3V	0.6V	Approx. 1.6W
12	133	90		6.8V	1.2V	
24	66	362		13.9V	2.4V	

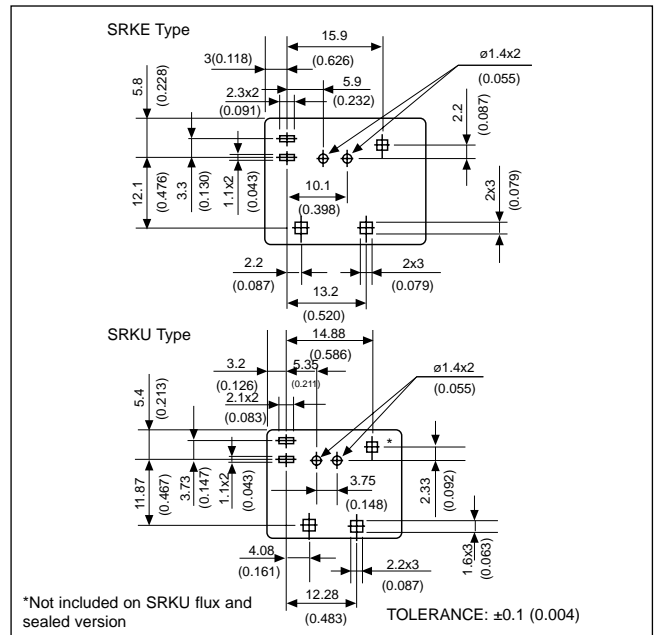
## Coil specification SRK high sensitivity

Rated voltage	Rated Current $\pm$ 10% at 25°C (mA)	Coil Resistance $\pm$ 10% at 25°C ( $\Omega$ )	Max continuous voltage at 25°C	Pick up voltage (Max) at 25°C	Drop out voltage (Min) at 25°C	Power consumption at rated load
6	200	30	125% of rated voltage	75% of rated voltage	10% of rated voltage	Approx. 1.2W
12	100	120				
24	50	480				

## Outline dimensions (mm)



## PCB layout



## Wiring diagram

