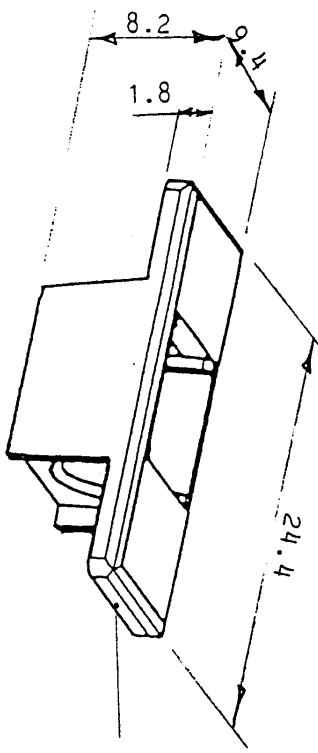
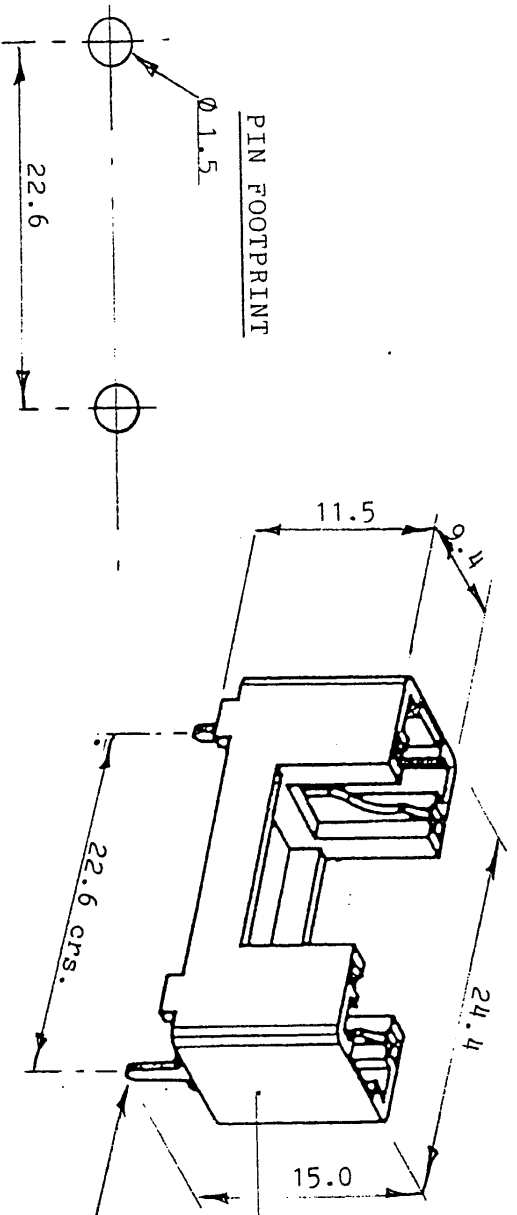


# multicomps

# Technical Data



Fuse Carrier HTC-160M



Fuseholder HTC-78M

Pins 0.5 x 1.2

Data  
Data  
Data  
Data  
Data  
Data  
Data  
Data  
Data  
Data  
Data  
Data  
Data  
Data  
Data

Multicomp Products available from



Farnell Order Code 976-120  
Multicomp Part No. MCHTC-100M  
Issue 2 - 1/7/97