

Specifications

Insulation Resistance:	1,000MΩ min. at 500V DC
Withstanding Voltage:	500V ACrms for 1 minute
Contact Resistance:	100mΩ at 1mA / 20mV max.
Voltage Rating:	250Vrms AC
Current Rating:	0.5A
Operating Temp. Range:	-25°C to +85°C
Coplanarity:	≤ 0.1mm
Mating Cycles:	10,000 (office environment)

Part Number (Details)

FPS 009 - 2405 - 0

Series No.

Number of Contacts

Design No.

0 = Tape & Reel Packaging

Materials and Finish

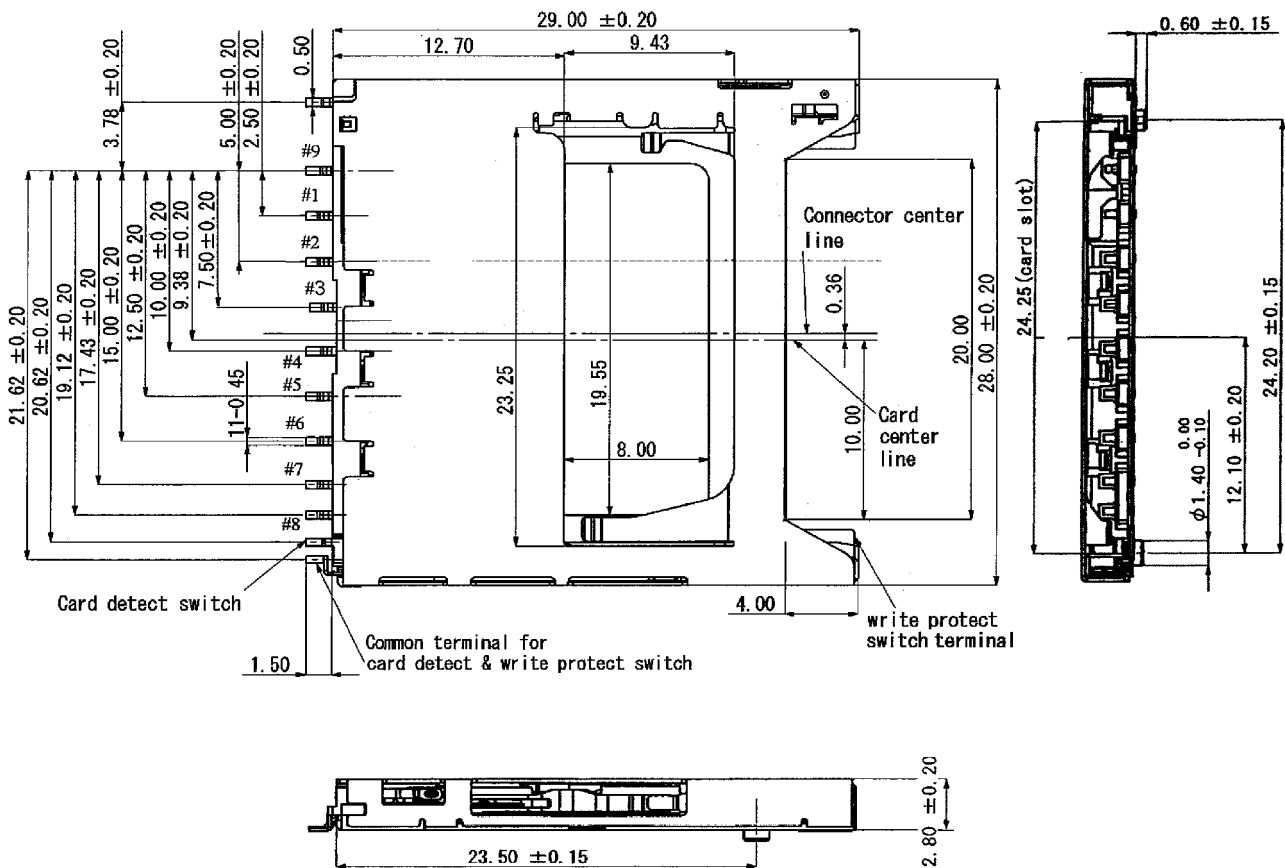
Insulator:	LCP glass filled (GF 40%)
Shielding Plate:	SUS, t = 0.20
Contacts:	PB, t = 0.18 / Contact area = Ni-Au / Solder Tails = Ni-SnCu



Features

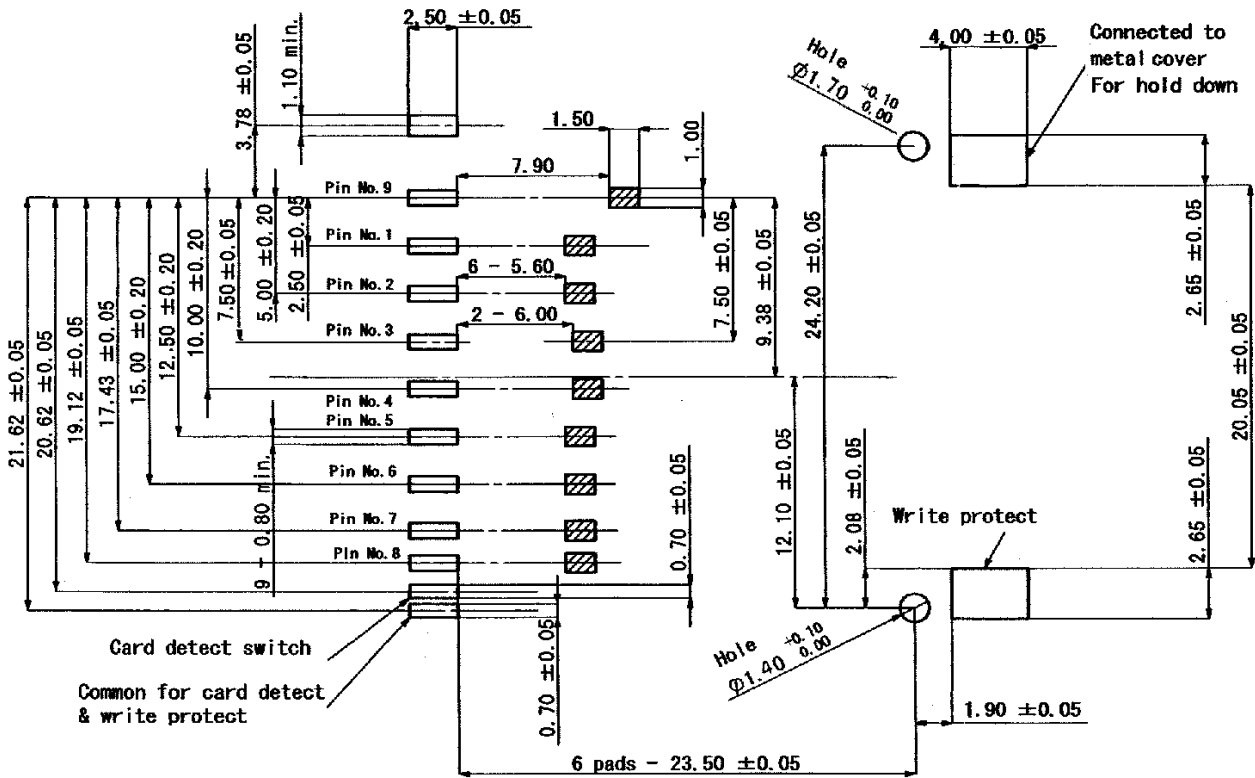
- Connector for both card types (MMC and SD card)
- Smooth extraction function by Push-in/ Push-out of card
- Soft lock mechanism for SD card
- Low profile (Ht. 2.8 x W. 28.0 x L. 30.5)
- Card detector
- Write protection switch
- Mechanism to avoid fling-off with the card
- Tape & Reel packaging (600 pcs / reel)
- Two-point contact, protection against electrical interruption

Outline Dimensions

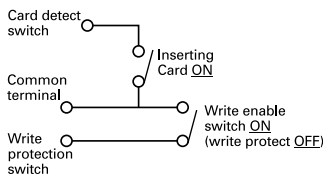


Recommended PCB Layout for FPS009-2405-0

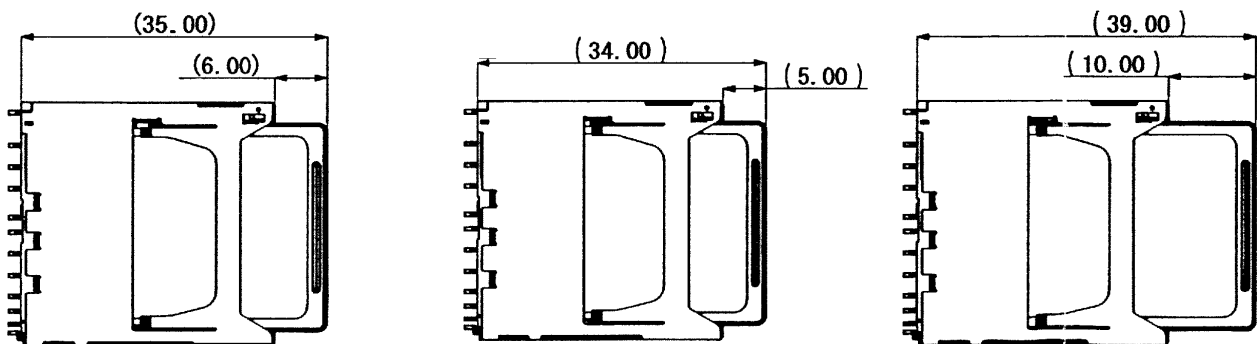
Top View



Circuit Diagram for Switch



Card Insertion Details



Card locked position

Card pushed position

Card eject position