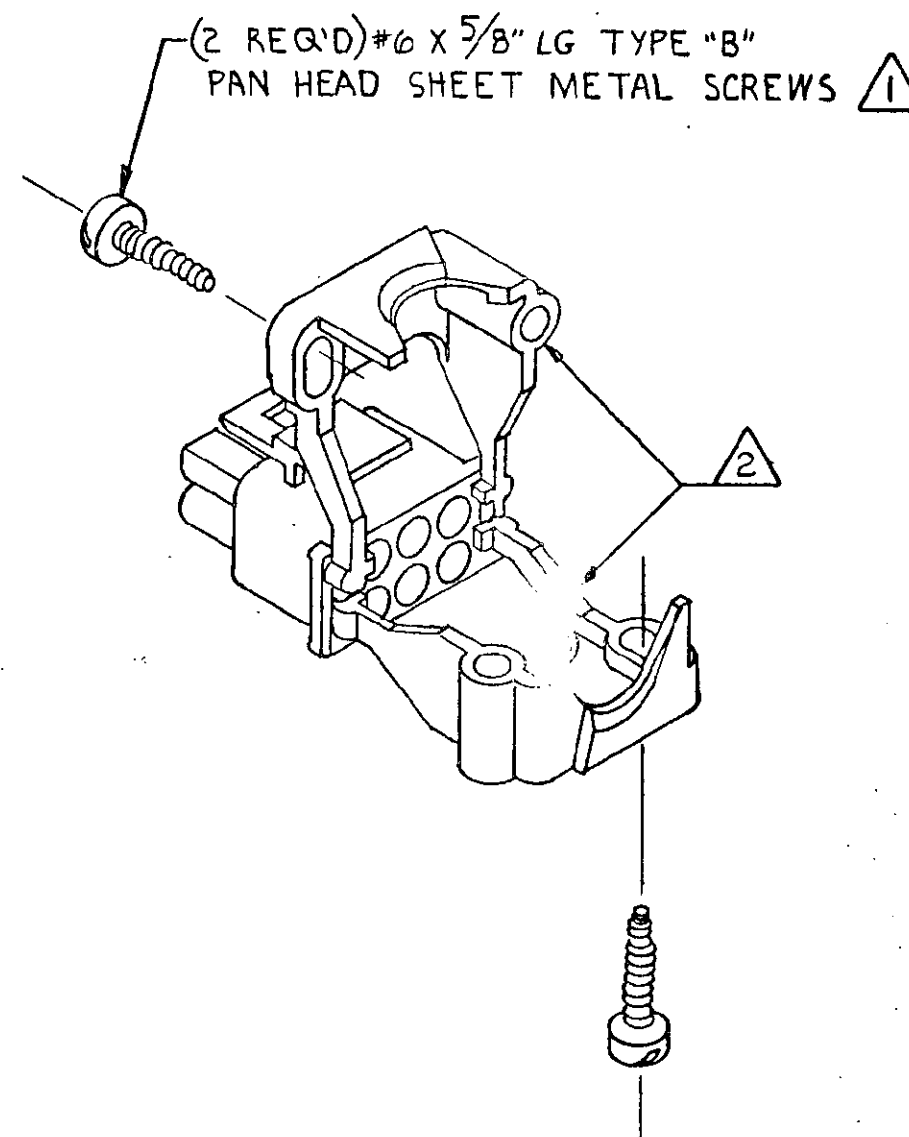
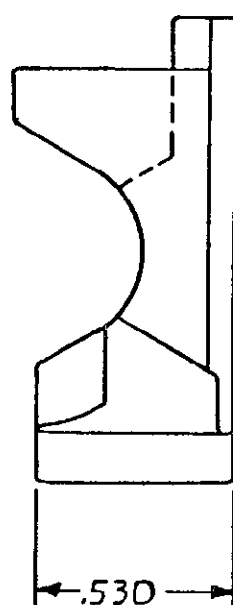
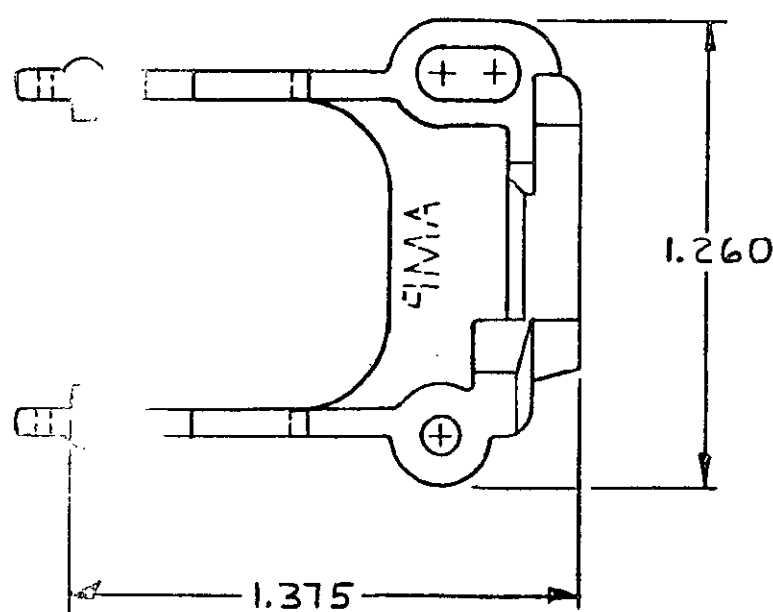
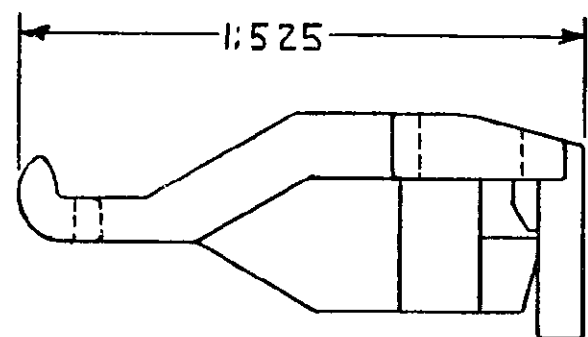


© COPYRIGHT 1977 BY AMP INCORPORATED, HARRISBURG, PA. ALL INTERNATIONAL RIGHTS RESERVED. AMP INCORPORATED PRODUCTS COVERED BY U. S. AND FOREIGN PATENTS AND/OR PATENTS PENDING.

- 1 SHEET METAL SCREWS NOT SUPPLIED
- 2 TWO REQUIRED PER CONNECTOR.
- 3 FOR USE WITH 6, 9, 12 + 15 CIRCUIT HOUSINGS WITH A WIRE BUNDLE DIAMETER RANGE OF 5/16" TO 1/2".

REVISIONS					
P	F	ZONE	DESCRIPTION	DATE	APPROVED
✓	✓	C	REV PER EC 0730-0201-94	4-25-95	JH RS
✓	✓				



350812

350812-1

PART NO

UNLESS OTHERWISE SPECIFIED DIMENSIONS ARE IN INCHES. TOLERANCES ON: DECIMALS ±.015 ANGLES ±	CONTRACT NO	<b>AMP</b>   AMP INCORPORATED Harrisburg, Pa.	
	DR <i>M. FEHER</i> 2-14-80		
MATERIAL NYLON 94V-0	CHK <i>J.S. Wade</i> 2/29/80	NAME STRAIN RELIEF FOR UNIVERSAL MATE-N-LOK HOUSING	
	APPD <i>J.C. ...</i> 2-29-80	SIZE	CODE IDENT NO
	DSGN APPD	C	00779
	OTHER APPD	SCALE	2-1
		DRAWING NO	350812
		SHEET	