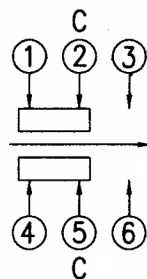
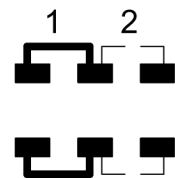
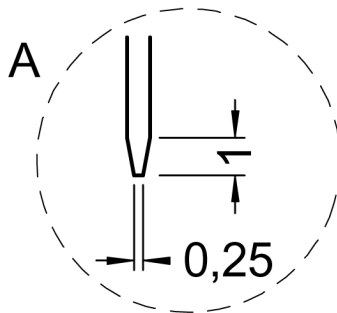
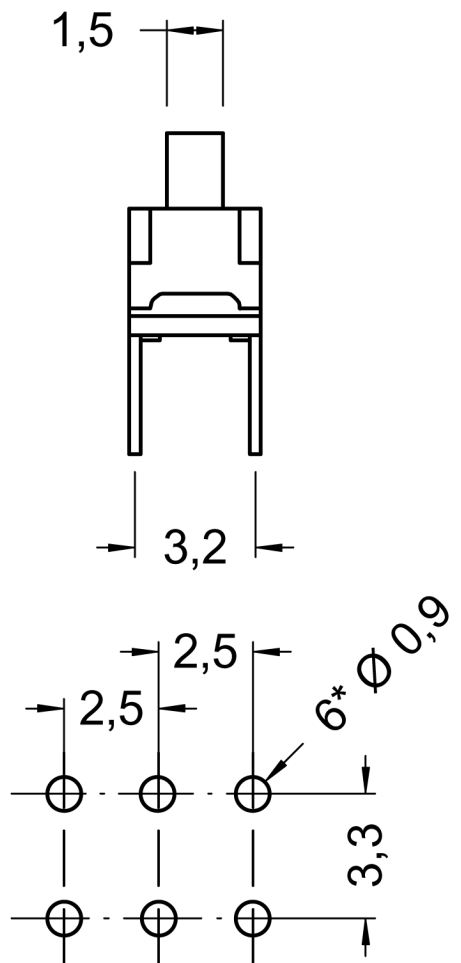
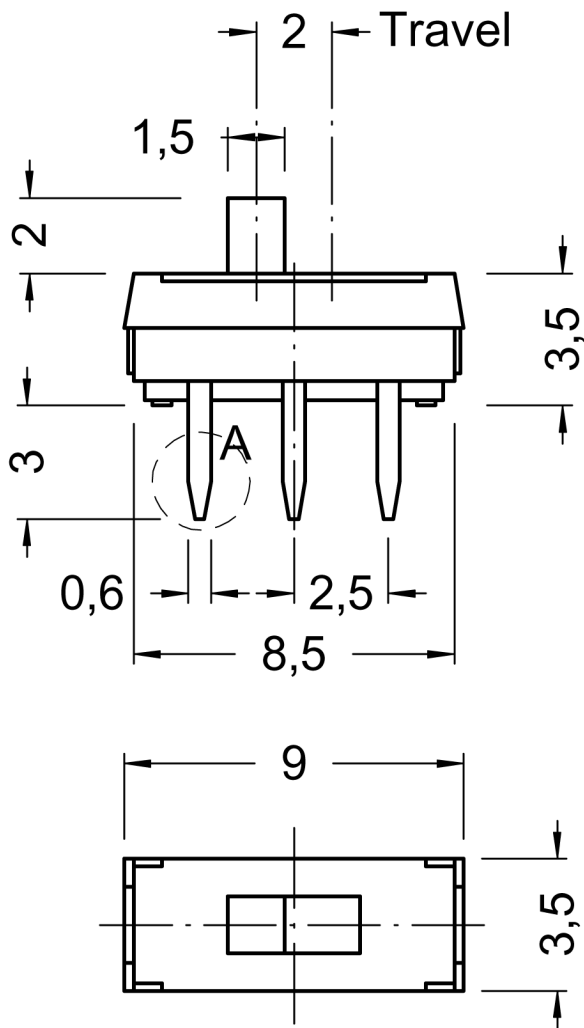


HOLE LAYOUT  $\oplus 0.05$



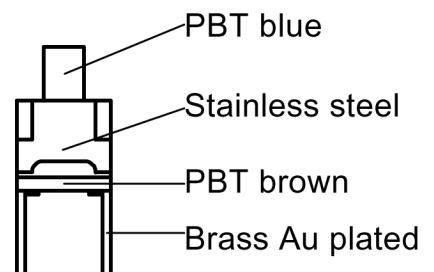
CIRCUIT DIAGRAM  
C: COMMON PIN  
BOTTOM VIEW

Maßstab		Datum	Name	MMP 221
Oberfläche	Bearb.	07/03	us	
	Gepr.			
	Norm			
			<b>knitter-switch</b>	30 03 75
Zust.	Änderung	Datum	Name	Blatt 1/1
				Bl.



**Specifications:**

- Contact rating: 6V-, 200mA
- Contact resistance: < 50mOhm
- Insulation resistance: > 100 MOhm
- Mechanical life: 5000 cycles min.
- Contacts: phosphor bronze, gold plated
- Terminals: brass, gold plated
- Contact timing: non shorting
- Slide color: blue
- soldering conditions: auto soldering, 230°C, 3 sec



Maßstab		Datum	Name	<b>MMP 221 B</b>	
Oberfläche	Bearb.				
	Gepr.				
	Norm				
<b>knitter-switch</b>				30 05 29	Blatt
Zust.	Änderung	Datum	Name		Bl.