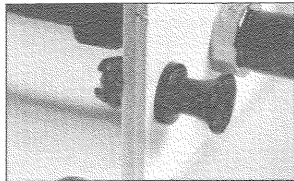
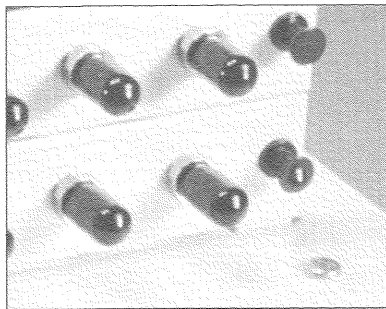
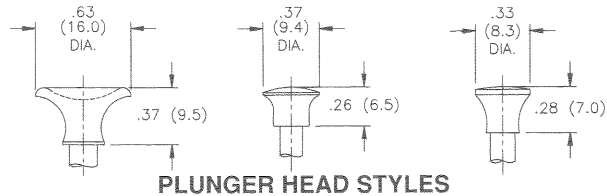
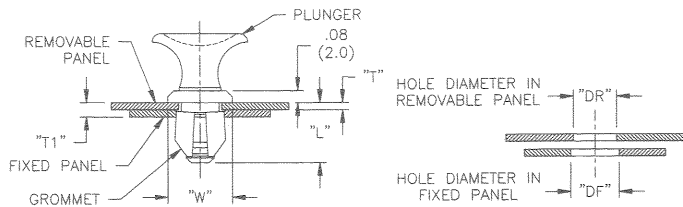


RIVETS, BUMPERS & FEET

SLPL/SLPB/SLG Series Snap Latch



LATCHED POSITION



PLUNGER HEAD STYLES

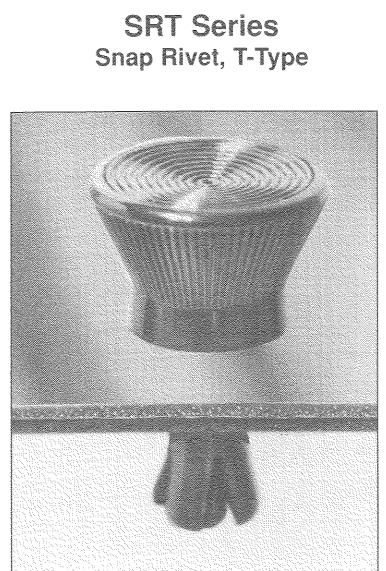
SLPL-1L/SLPL-2L

SLPB-1L

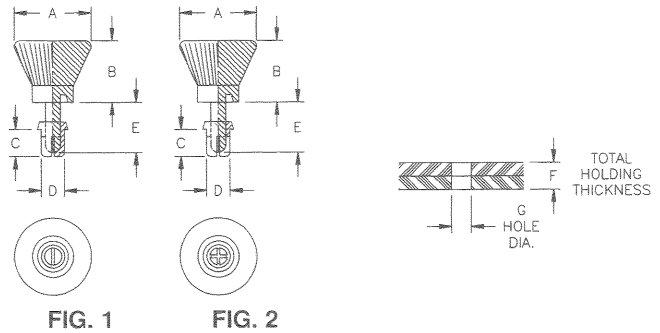
SLPB-2M/SLPB-3M

NOTE:
Plunger and Mating Grommet sold separately

Part No.				Standard Pack: 1000 per bag					
Plunger		Mating Grommet		Removable Panel Thickness "T" (Max.)	Total Panel Thickness Range "T1"	Removable Panel Hole Dia. Range "DR"	Fixed Panel Hole Dia. Range "DF"	"L" Ref.	"W" ±.010 (0.25)
Black	White	Black	White						
SLPL-1L-B	SLPL-1L-W	SLG-1L-B	SLG-1L-W	.062 (1.57)	.079 (2.0) - .165 (4.2)	.295 (7.5) - .303 (7.7)	.315 (8.0) - .323 (8.2)	.354 (9.0)	.425 (10.8)
SLPB-1L-B	SLPB-1L-W	SLG-1L-B	SLG-1L-W						
SLPL-2L-B	SLPL-2L-W	SLG-2L-B	SLG-2L-W	.100 (2.54)	.118 (3.0) - .205 (5.2)	.234 (5.95) - .240 (6.1)	.250 (6.35) - .256 (6.5)	.394 (10.0)	.334 (8.5)
SLPB-2M-B	SLPB-2M-W	SLG-2M-B	SLG-2M-W						
SLPB-3M-B	SLPB-3M-W	SLG-3M-B	SLG-3M-W	.098 (2.50)	.118 (3.0) - .205 (5.2)	.234 (5.95) - .240 (6.1)	.250 (6.35) - .256 (6.5)	.374 (9.5)	.334 (8.5)



SRT Series Snap Rivet, T-Type



Material: Nylon 6, RMS-28 or RMS-62 (see table) • Color: Black									
Part No.	Hole Dia. "G"	Thickness "F"	Standard Pack: 1000 per bag					Fig No.	RMS
			"A"	"B"	"C"	"D"	"E"		
SRT-3035B	.122 (3.1) - .126 (3.2)	.039 (1.0) - 0.079 (2.0)	.394 (10.0)	.315 (8.0)	.14 (3.6)	.118 (3.0)	.26 (6.6)	1	62
SRT-3045B		.079 (2.0) - 0.118 (3.0)			.18 (4.6)				
SRT-3055B		.118 (3.0) - 0.157 (4.0)			.22 (5.6)				
SRT-3065B		.157 (4.0) - 0.197 (5.0)			.26 (6.6)				
SRT-3080B	.142 (3.6) - .146 (3.7)	.217 (5.5) - 0.256 (6.5)	.472 (12.0)	.315 (8.0)	.32 (8.1)	.139 (3.5)	.26 (6.6)	2	62
SRT-3545B		.079 (2.0) - 0.118 (3.0)			.18 (4.6)				
SRT-3555B		.118 (3.0) - 0.146 (3.7)			.22 (5.6)				
SRT-3570B		.150 (3.8) - 0.205 (5.2)			.28 (7.1)				
SRT-4050B	.161 (4.1) - .165 (4.2)	.098 (2.5) - 0.138 (3.5)	.472 (12.0)	.315 (8.0)	.20 (5.1)	.157 (4.0)	.30 (7.6)	2	62
SRT-4060B		.138 (3.5) - 0.177 (4.5)			.24 (6.1)				
SRT-4070B		.177 (4.5) - 0.216 (5.5)			.28 (7.1)				
SRT-4080B		.216 (5.5) - 0.256 (6.5)			.32 (8.1)				
SRT-4100B	.161 (4.1) - .165 (4.2)	.295 (7.5) - 0.335 (8.5)	.472 (12.0)	.315 (8.0)	.39 (9.9)	.157 (4.0)	.44 (11.2)	2	62

Part available in white by special order. To order, replace "B" with "W".