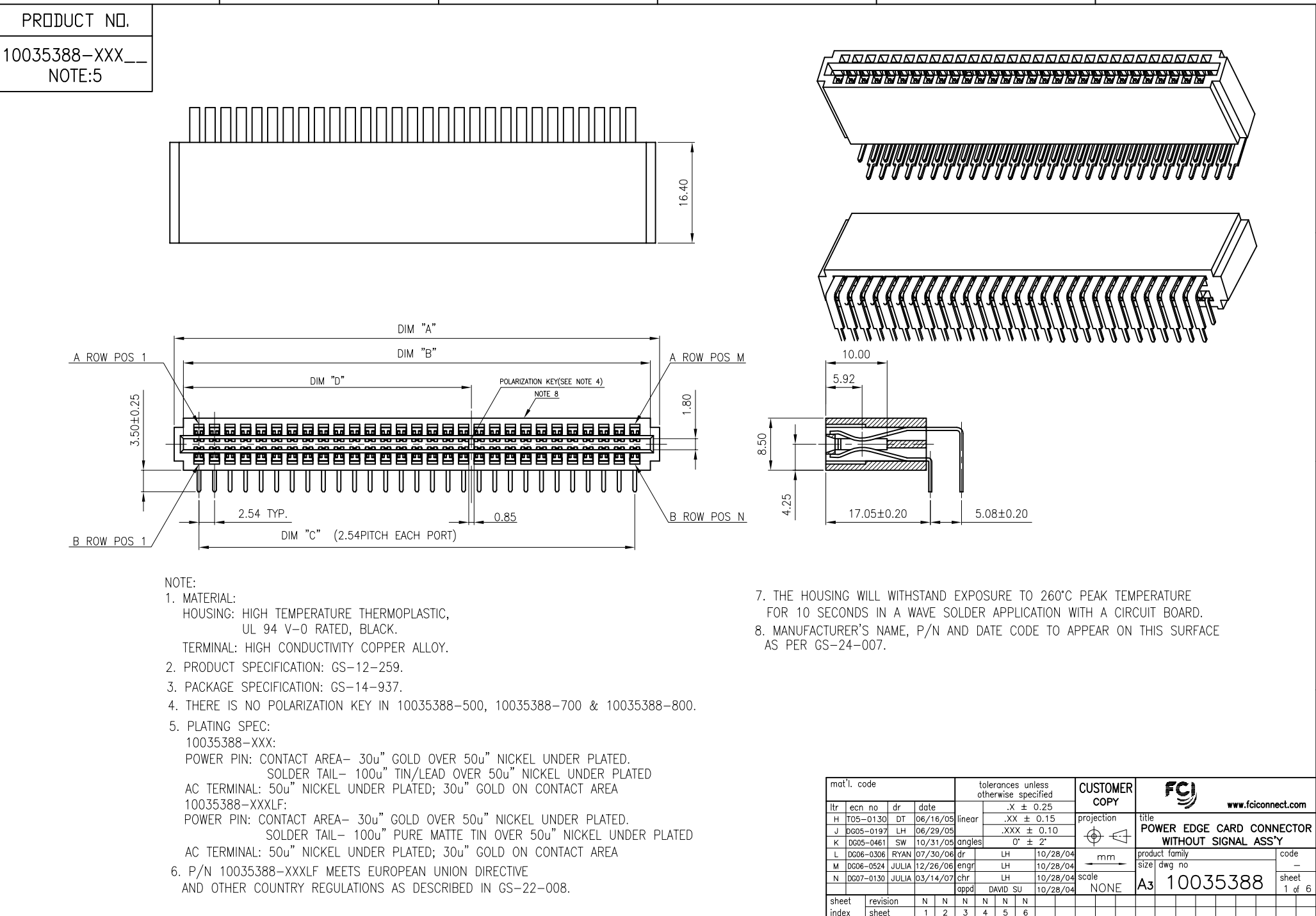


Tous droits strictement reserves. Reproduction ou communication a des tiers interdite sous quelque forme que ce soit sans autorisation ecrite du propriétaire. Propriete de © FCI ELECTRONICS INC. Droits de reproduction FCI ELECTRONICS INC.



All rights strictly reserved. Reproduction or issue to third parties in any form whatever is not permitted without written authority from the proprietor. Copyright FCI ELECTRONICS INC. Property of © FCI ELECTRONICS



PRODUCT NO.
10035388-XXX__
NOTE:5

- NOTE:
- MATERIAL:
HOUSING: HIGH TEMPERATURE THERMOPLASTIC, UL 94 V-0 RATED, BLACK.
TERMINAL: HIGH CONDUCTIVITY COPPER ALLOY.
 - PRODUCT SPECIFICATION: GS-12-259.
 - PACKAGE SPECIFICATION: GS-14-937.
 - THERE IS NO POLARIZATION KEY IN 10035388-500, 10035388-700 & 10035388-800.
 - PLATING SPEC:
10035388-XXX:
POWER PIN: CONTACT AREA- 30u" GOLD OVER 50u" NICKEL UNDER PLATED.
SOLDER TAIL- 100u" TIN/LEAD OVER 50u" NICKEL UNDER PLATED
AC TERMINAL: 50u" NICKEL UNDER PLATED; 30u" GOLD ON CONTACT AREA
10035388-XXXLF:
POWER PIN: CONTACT AREA- 30u" GOLD OVER 50u" NICKEL UNDER PLATED.
SOLDER TAIL- 100u" PURE MATTE TIN OVER 50u" NICKEL UNDER PLATED
AC TERMINAL: 50u" NICKEL UNDER PLATED; 30u" GOLD ON CONTACT AREA
 - P/N 10035388-XXXLF MEETS EUROPEAN UNION DIRECTIVE AND OTHER COUNTRY REGULATIONS AS DESCRIBED IN GS-22-008.

- THE HOUSING WILL WITHSTAND EXPOSURE TO 260°C PEAK TEMPERATURE FOR 10 SECONDS IN A WAVE SOLDER APPLICATION WITH A CIRCUIT BOARD.
- MANUFACTURER'S NAME, P/N AND DATE CODE TO APPEAR ON THIS SURFACE AS PER GS-24-007.

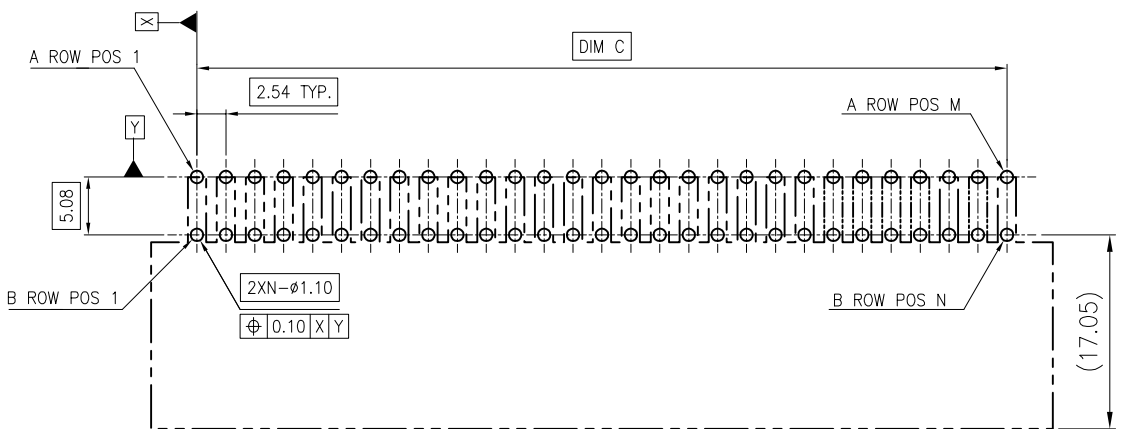
mat'l. code		tolerances unless otherwise specified		CUSTOMER COPY		FCI www.fciconnect.com	
ltr	ecn no	dr	date	linear	.X ± 0.25	projection mm	title POWER EDGE CARD CONNECTOR WITHOUT SIGNAL ASSY
H	T05-0130	DT	06/16/05		.XX ± 0.15		
J	D005-0197	LH	06/29/05		.XXX ± 0.10		
K	D005-0461	SW	10/31/05	angles	0° ± 2°		
L	DG06-0306	RYAN	07/30/06	dr	LH	10/28/04	product family
M	DG06-0524	JULIA	12/26/06	engr	LH	10/28/04	code
N	DG07-0130	JULIA	03/14/07	chr	LH	10/28/04	size
				appd	DAVID SU	10/28/04	scale
sheet index	revision	N	N	N	N	N	A3
	sheet	1	2	3	4	5	10035388
							1 of 6

Tous droits strictement reserves. Reproduction ou communication a des tiers interdite sous quelque forme que ce soit sans autorisation écrite du propriétaire. Propriete de © FCI ELECTRONICS INC. Droits de reproduction FCI ELECTRONICS INC.

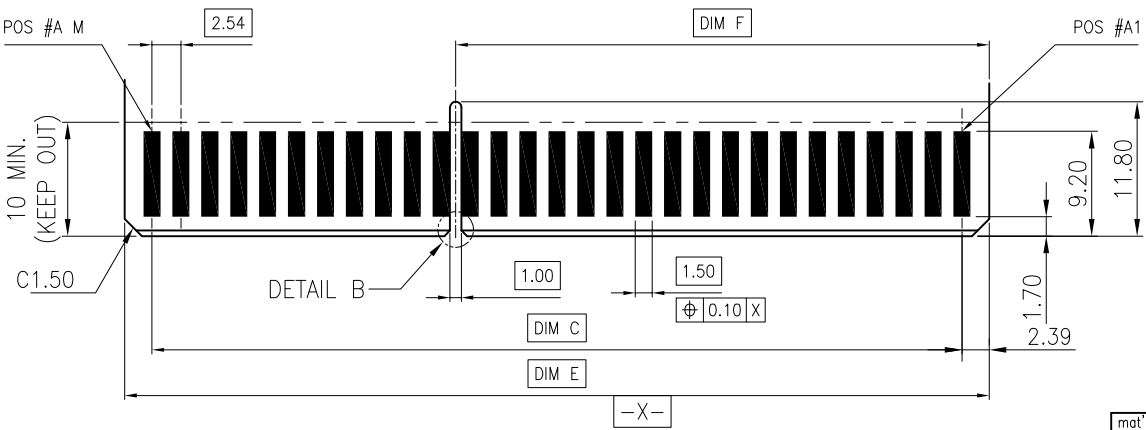
All rights strictly reserved. Reproduction or issue to third parties in any form whatever is not permitted without written authority from the proprietor. Property of © FCI ELECTRONICS INC. Copyright FCI ELECTRONICS INC.



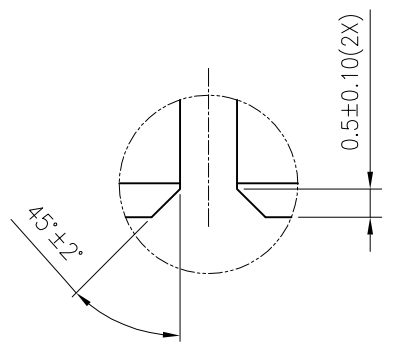
PRODUCT NO.
10035388-XXX__
NOTE:5



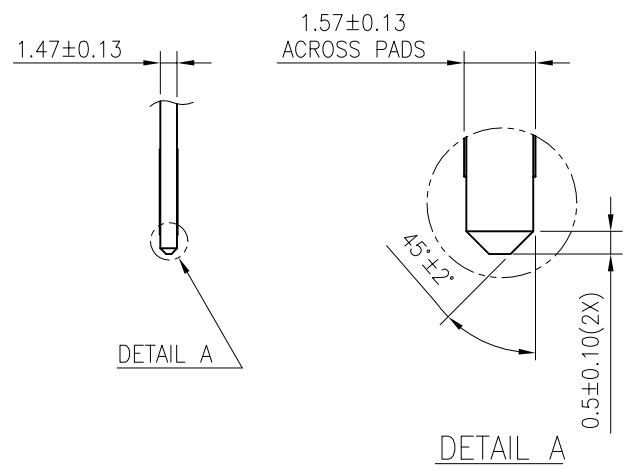
RECOMMENDED PCB LAYOUT



RECOMMENDED DAUGHTER CARD LAYOUT (TOP SIDE)

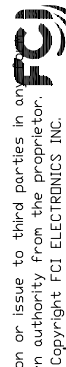


DETAIL B
SCALE 5:1



mat'l. code		tolerances unless otherwise specified		CUSTOMER COPY		FCI www.fciconnect.com	
ltr	ecn no	dr	date	linear	.X ± 0.25	projection	title
N					.XX ± 0.15		POWER EDGE CARD CONNECTOR WITHOUT SIGNAL ASSY
					.XXX ± 0.10		product family
				angles	0° ± 2°	mm	size
				dr	LH	10/28/04	10035388
				enrg	LH	10/28/04	scale
				chr	LH	10/28/04	NONE
				appd	DAVID SU	10/28/04	sheet
sheet index	revision sheet						3 of

Tous droits strictement réservés. Reproduction ou communication à des tiers interdite sans quelque forme que ce soit sans autorisation écrite du propriétaire.
 Property © c FCI ELECTRONICS INC. Droits de reproduction FCI ELECTRONICS INC.



All rights strictly reserved. Reproduction or issue to third parties in any form or by any means, electronic or mechanical, including photocopying, recording, or by any information storage and retrieval system, is not permitted without written authority from the proprietor.
 Property © c FCI ELECTRONICS INC. Copyright FCI ELECTRONICS INC.

ASSY P/N	HOUSING		SHORT POWER PIN		LONG POWER PIN		AC TERMINAL		REMARK
	P/N	QTY	P/N	QTY	P/N	QTY	P/N	QTY	
10035388-000	10036975-01	1	10028889-101	29	10028889-201	29	N/A	0	ALL LOADED
10035388-000LF			10028889-102		10028889-202				
10035388-001	10036975-01	1	10028889-101	24	10028889-201	24	N/A	0	SELECTIVE LOADED
10035388-001LF			10028889-102		10028889-202				
10035388-100	10036975-02	1	10028889-101	25	10028889-201	25	N/A	0	ALL LOADED
10035388-100LF			10028889-102		10028889-202				
10035388-101	10036975-02	1	10028889-101	21	10028889-201	21	N/A	0	SELECTIVE LOADED
10035388-101LF			10028889-102		10028889-202				
10035388-200	10036975-03	1	10028889-101	31	10028889-201	31	N/A	0	ALL LOADED
10035388-200LF			10028889-102		10028889-202				
10035388-201	10036975-03	1	10028889-101	26	10028889-201	26	N/A	0	SELECTIVE LOADED
10035388-201LF			10028889-102		10028889-202				
10035388-300	10036975-04	1	10028889-101	32	10028889-201	32	N/A	0	ALL LOADED
10035388-300LF			10028889-102		10028889-202				
10035388-301	10036975-04	1	10028889-101	25	10028889-201	25	N/A	0	SELECTIVE LOADED
10035388-301LF			10028889-102		10028889-202				
10035388-400	10036975-05	1	10028889-101	22	10028889-201	22	N/A	0	ALL LOADED
10035388-400LF			10028889-102		10028889-202				

mat'l. code		tolerances unless otherwise specified		CUSTOMER COPY		www.fciconnect.com	
ltr	ecn no	dr	date	linear	X ± 0.25	projection	
N					.XX ± 0.15		
					.XXX ± 0.10		product family size/dwg no
				angles	0° ± 2°		
				dr	LH 10/28/04	sheet index revision sheet	code - sheet 4 of
				engr	LH 10/28/04		
				chr	LH 10/28/04		
				appd	DAVID SU 10/28/04		

Tous droits strictement réservés. Reproduction ou communication à des tiers interdite sous quelque forme que ce soit sans autorisation écrite du propriétaire.
 Propriété © c FCI ELECTRONICS. Droits de reproduction FCI ELECTRONICS INC.

All rights strictly reserved. Reproduction or issue to third parties in any form whatever is not permitted without written authority from the proprietor.
 Property © c FCI ELECTRONICS. Copyright FCI ELECTRONICS INC.



ASSY P/N	HOUSING		SHORT POWER PIN		LONG POWER PIN		AC TERMINAL		REMARK
	P/N	QTY	P/N	QTY	P/N	QTY	P/N	QTY	
10035388-500	10036975-06	1	10028889-101	28	10028889-201	28	N/A	0	ALL LOADED NO KEY
10035388-500LF			10028889-102		10028889-202				
10035388-600	10036975-08	1	10028889-101	17	10028889-201	17	10051577-003	2	SELECTIVE LOADED
10035388-600LF			10028889-102		10028889-202				
10035388-700	10036975-07	1	10028889-101	32	10028889-201	32	N/A	0	ALL LOADED NO KEY
10035388-700LF			10028889-102		10028889-202				
10035388-800	10036975-09	1	10028889-101	17	10028889-201	17	N/A	0	ALL LOADED NO KEY
10035388-800LF			10028889-102		10028889-202				
10035388-900	10036975-10	1	10028889-101	14	10028889-201	14	N/A	0	ALL LOADED
10035388-900LF			10028889-102		10028889-202				

mat'l. code		tolerances unless otherwise specified		CUSTOMER COPY		www.fciconnect.com	
ltr	ecn no	dr	date	linear	.X ± 0.25	projection	
N					.XX ± 0.15		
					.XXX ± 0.10		
				angles	0° ± 2°		
		dr	LH	10/28/04		mm	product family
		engr	LH	10/28/04			code
		chr	LH	10/28/04	scale		size/dwg no
		appd	DAVID SU	10/28/04	NONE	A3	10035388
sheet index	revision sheet						sheet 5 of

