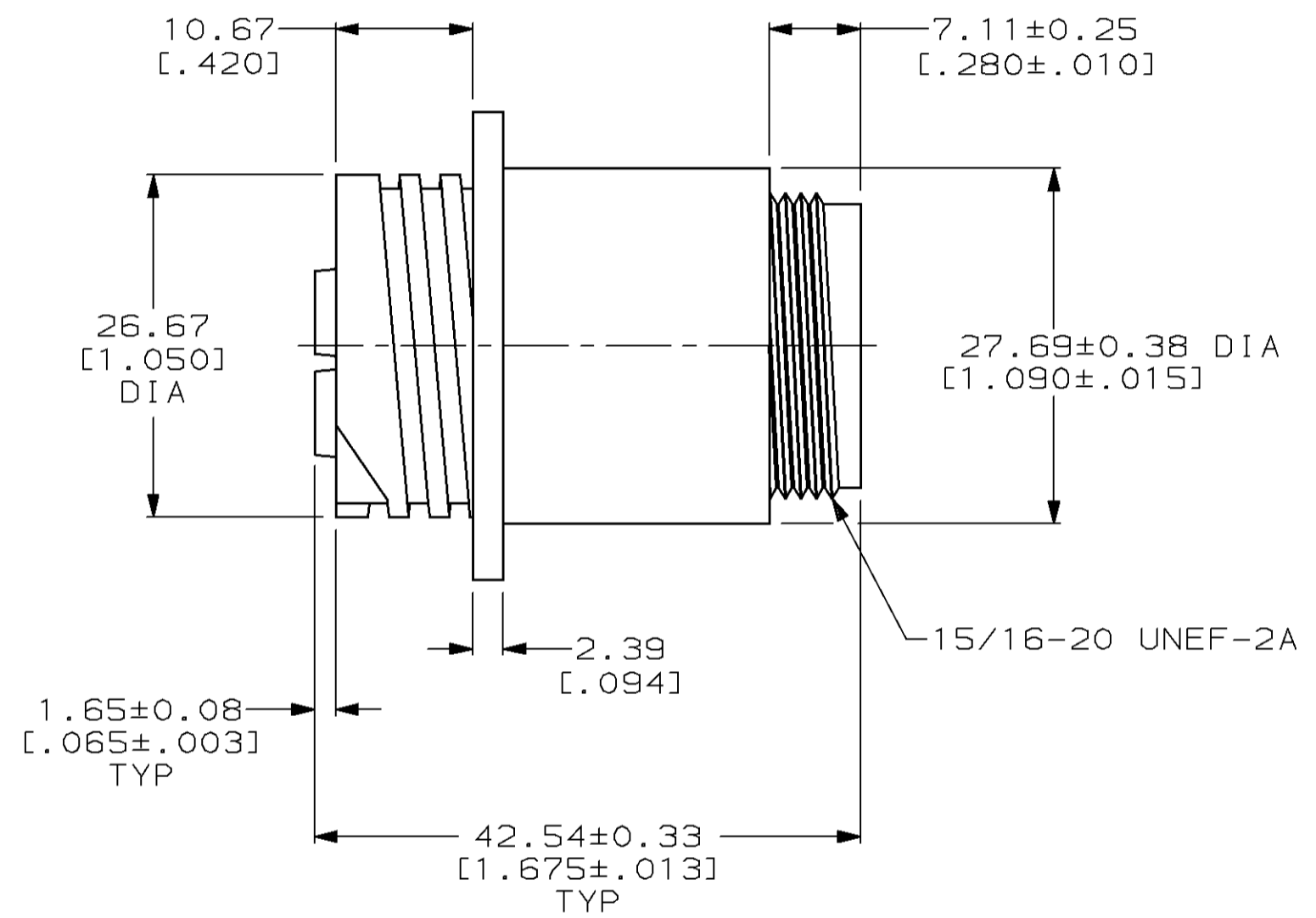
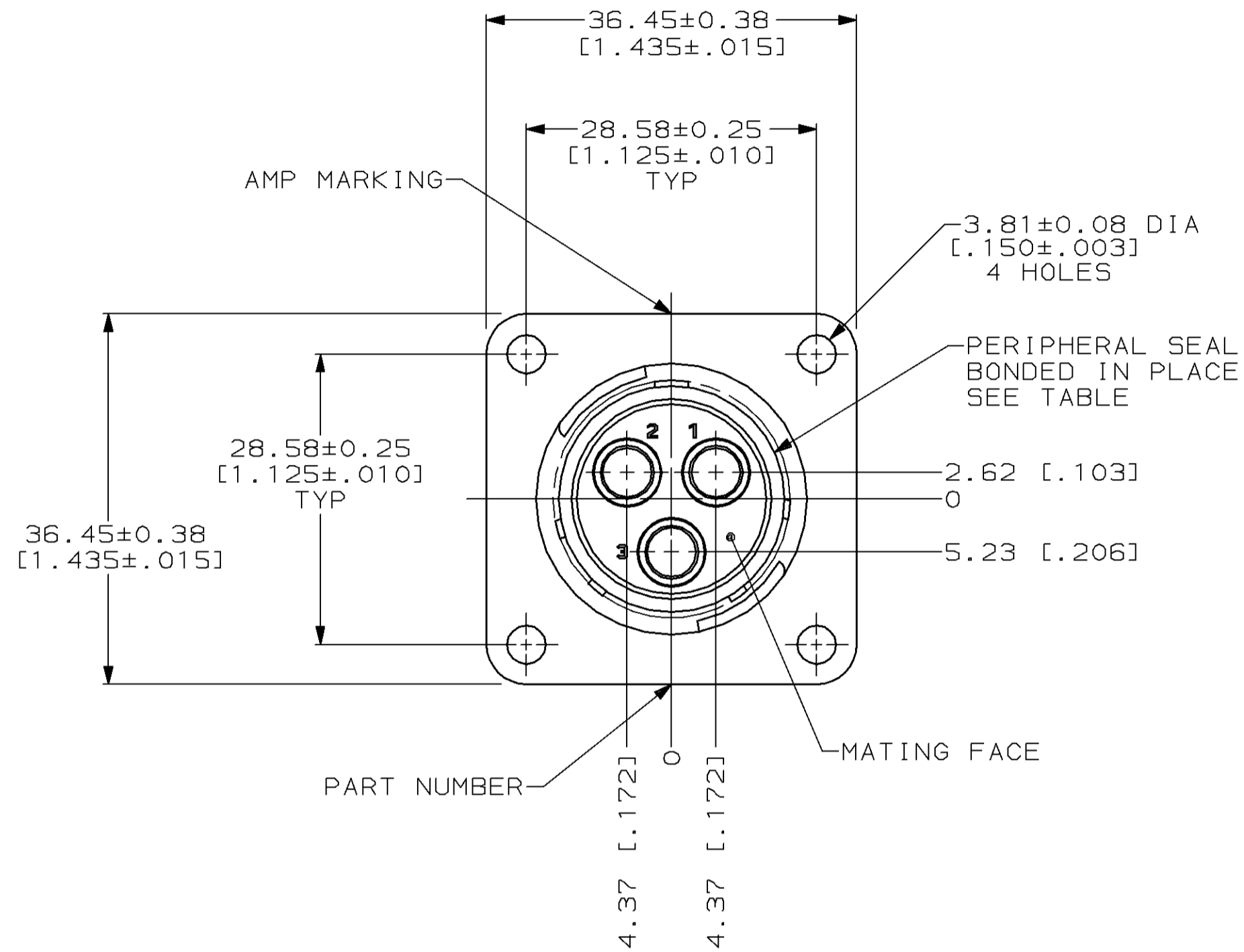


THIS DRAWING IS UNPUBLISHED. RELEASED FOR PUBLICATION
 BY AMP INCORPORATED. ALL RIGHTS RESERVED.

LOC	DIST	REVISIONS					
		P	LTR	DESCRIPTION	DATE	DWN	APVD
BD	35			RELEASED -1 PER NPR 5365, WAS 95-7970-17	06/23/95	-	-
		A		ADDED -2 AND REVISED PER EC 0020-900-95	15 SEP 95	DH	AF



YES	213889-2
NO	213889-1
PERIPHERAL SEAL	PART NUMBER

THIS DRAWING IS A CONTROLLED DOCUMENT FOR AMP INCORPORATED. IT IS SUBJECT TO CHANGE AND THE CONTROLLING ENGINEERING ORGANIZATION SHOULD BE CONTACTED FOR THE LATEST REVISION.		DWN	D.HARDY	06/23/95	AMP AMP Incorporated Harrisburg, PA 17105-3608
DIMENSIONS:		CHK	R.STONE	06/29/95	
mm [INCHES]		APVD	A.FRANTUM	06/29/95	
TOLERANCES UNLESS OTHERWISE SPECIFIED:		PRODUCT SPEC	108-1579	APPLICATION SPEC	
0 PLC ±-	1 PLC ±-	MATERIAL	NYLON, BLACK	FINISH	-
2 PLC ±0.13 [.005]	3 PLC ±-	NAME		RECEPTACLE HOUSING, REVERSE SEX, SERIES 5, 17-3, CIRCULAR PLASTIC CONNECTOR	
4 PLC ±-	ANGLES ±-	SIZE	A2	CAGE CODE	00779
FINISH -		DRAWING NO	C=213889		
CUSTOMER DRAWING				SCALE	2:1
				SHEET	1 OF 1
				REV	A

213889