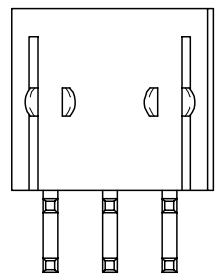
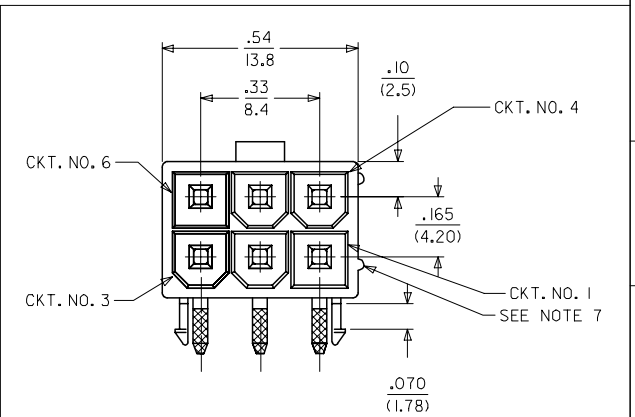
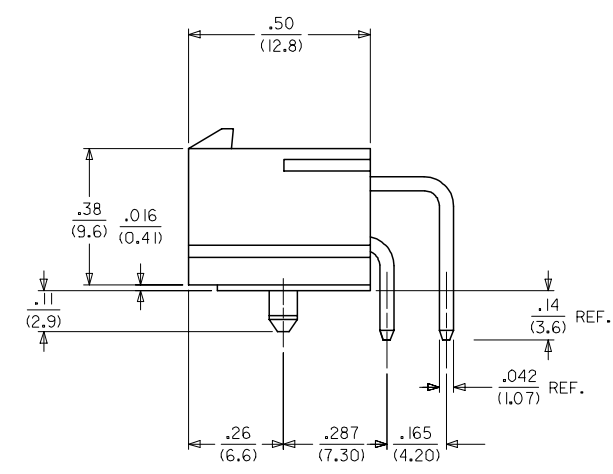
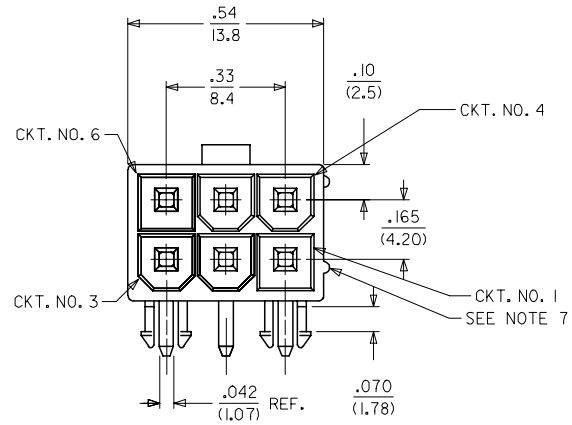
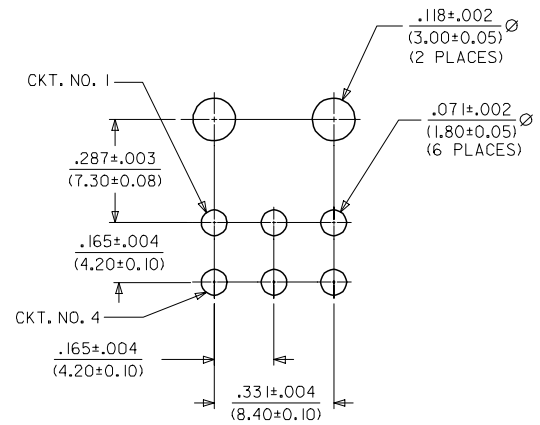


MATERIAL NUMBER	NUMBER OF PEGS
455580002	4
455580003	2

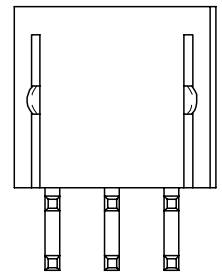
- NOTES:
- 1) MATERIAL:  
HOUSING: NYLON, UL94 V-0, COLOR: BLACK  
TERMINALS: BRASS
  - 2) TERMINAL FINISH:  
.000100/(.00254) MIN. BRIGHT TIN OVER  
.000050/(.00127) MIN. NICKEL OVERALL.
  - 3) PRODUCT SPECIFICATION: PS-45558-001
  - 4) PACKAGING: PER PK-5569-002
  - 5) PARTS MATE WITH MINI-FIT JR. RECEPTACLE 455590002.
  - 6) PARTS ARE NOT DESIGNED FOR CURRENT SHARING.
  - 7) FULL RIB INDICATES CIRCUIT NO. 1.
  - 8) PARTS ARE NOT TO BE MATED OR UNMATED WHILE CIRCUITS ARE LIVE.
  - 9) DISCOLORATION IN THE BANDOLIER CARRIER AREA OF THE PIN IS INHERENT TO THE PLATING PROCESS AND IS DUE TO THE MASKING EFFECT OF THE CARRIER. THIS DISCOLORATION IS IN A NON-FUNCTIONAL AREA OF THE PIN AND WILL NOT AFFECT THE PERFORMANCE OF THE HEADER ASSEMBLY.
  - 10) PART CONFORMS TO CLASS "B" REQUIREMENTS OF COSMETIC SPECIFICATION PS-45499-002.



4 PEG OPTION  
455580002



RECOMMENDED HOLE LAYOUT FOR  
.070/(1.78) MAX. THICK P.C. BOARD.  
VIEWED FROM COMPONENT SIDE OF BOARD.



2 PEG OPTION  
455580003

<b>UPDATE NOTES</b> EC NO: UCP2008-1093 DRWNL: SCHMIDT 2007/11/20 CHKD: IBELL 2007/11/21 APPR: FSWITH 2007/11/21 REV: A1	<b>QUALITY SYMBOLS</b> ▽=0 ▽=0	<b>GENERAL TOLERANCES (UNLESS SPECIFIED)</b>		DIMENSION STYLE IN/MM	SCALE 4:1	DESIGN UNITS METRIC	THIRD ANGLE PROJECTION		
		4 PLACES ± --- ± ---	3 PLACES ± --- ± .010	DRAWN BY GEP	DATE 2003/11/11	TITLE 6 CKT RTAN HEADER ASSY SPECIAL POLARIZATION MINI-FIT JR. SERIES			
		2 PLACES ± 0.25 ± .015	1 PLACE ± 0.38 ± ---	CHECKED BY YLM	DATE 2003/11/11	APPROVED BY YLM			
		ANGULAR ±1/2°		MATERIAL NO. SEE CHART	DATE 2003/11/11	DOCUMENT NO. SD-45558-001		SHEET NO. 1 OF 1	
DRAFT WHERE APPLICABLE MUST REMAIN WITHIN DIMENSIONS				THIS DRAWING CONTAINS INFORMATION THAT IS PROPRIETARY TO MOLEX INCORPORATED AND SHOULD NOT BE USED WITHOUT WRITTEN PERMISSION					