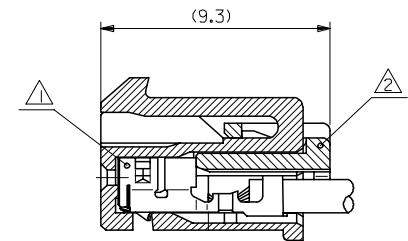


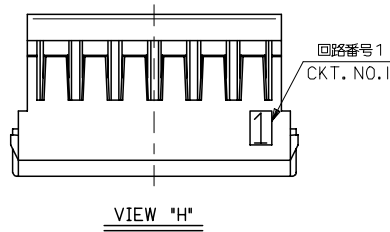
注記  
NOTES

- △1 適合ターミナル : 59370シリーズ  
APPLICABLE TERMINAL : 59370 SERIES
- △2 適合リテーナー : 51217シリーズ  
APPLICABLE RETAINER : 51217 SERIES
- 3. 嵌合相手 : 55487シリーズ  
MATE WITH : 55487 SERIES
- △4 偶数極に適用。  
APPLY EVEN CIRCUIT PRODUCTS.
- △5 4~15極に適用。  
APPLY 4-15 CIRCUITS.
- △6 5~15極に適用。  
APPLY 5-15 CIRCUITS.

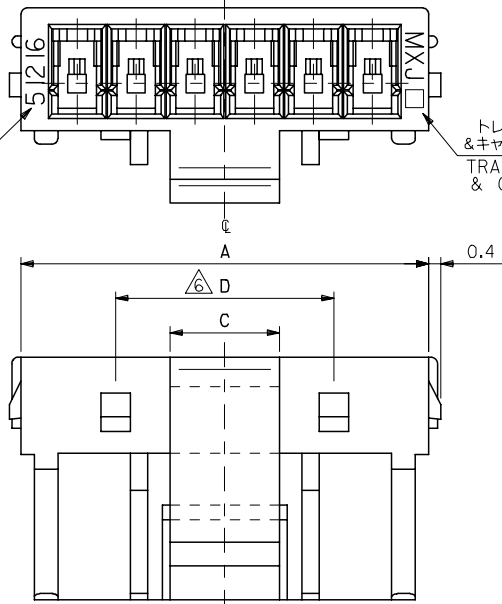
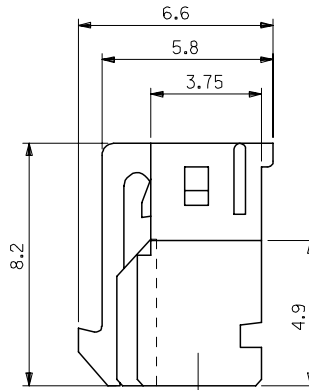


ターミナル及びリテーナー装着状態図  
TERMINAL & RETAINER ASSEMBLY DRAWING

30.9	29.3	7.4	3.7	28	31.8	51216-1500	15
28.9	27.3			26	29.8	-1400	14
26.9	25.3			24	27.8	-1300	13
24.9	23.3			22	25.8	-1200	12
22.9	21.3			20	23.8	-1100	11
20.9	19.3			18	21.8	-1000	10
18.9	17.3			16	19.8	-0900	9
16.9	15.3			14	17.8	-0800	8
14.9	13.3			12	15.8	-0700	7
12.9	11.3			10	13.8	-0600	6
10.9	9.3	7.4		8	11.8	-0500	5
8.9	7.3			6	9.8	-0400	4
6.9			3.7	4	7.8	-0300	3
4.9			2.2	2	5.8	51216-0200	2
F	E	D	C	B	A	MATERIAL NO.	CKT.

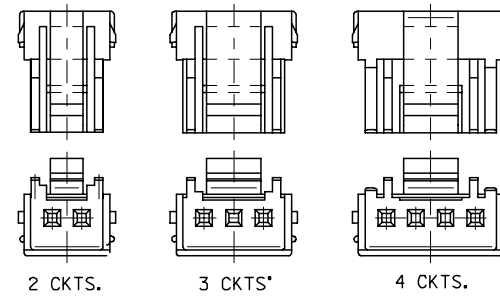
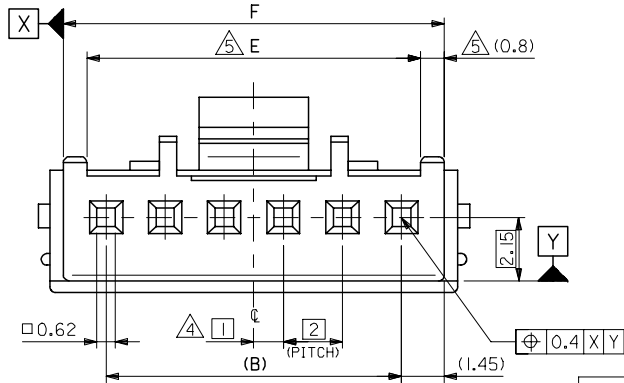


VIEW "H"



製品番号  
ENG. NO.

トレードマーク  
& キャビティ番号  
TRADE MARK  
& CAV. NO.



LAYOUT OF EACH CKTS.

GENERAL TOLERANCES  
(UNLESS SPECIFIED)

10 UNDER	±0.2
10 OVER 30 UNDER	±0.25
30 OVER	±0.3
ANGULAR	±3 °
DRAFT WHERE APPLICABLE MUST REMAIN WITHIN DIMENSIONS	

DIMENSION STYLE  
MM ONLY

SCALE  
---

DESIGN UNITS  
METRIC

THIRD ANGLE  
PROJECTION

DRAWN BY T. YASUI	DATE '00/2/22	TITLE
CHECKED BY T. YAMAGUCHI	DATE '00/2/22	
APPROVED BY M. FUKUSHIMA	DATE '00/2/22	

2.0MM WIRE TO BOARD  
RECEPTACLE HOUSING

**MOLEX** MOLEX INCORPORATED

ENTER PART SD-51216-004

MATERIAL NO. DOCUMENT NO. SHEET NO.  
1 OF 1

THIS DRAWING CONTAINS INFORMATION THAT IS PROPRIETARY TO MOLEX  
INCORPORATED AND SHOULD NOT BE USED WITHOUT WRITTEN PERMISSION