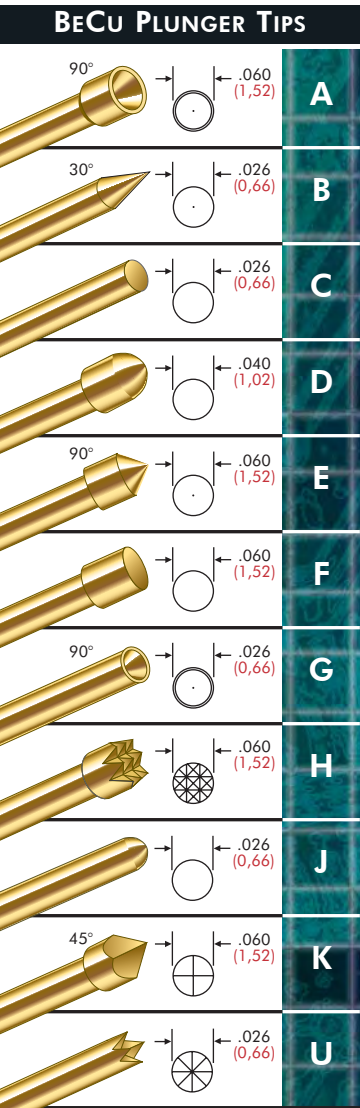


Series S SIZE 1 .075 CENTERS



PROBE SPECIFICATIONS

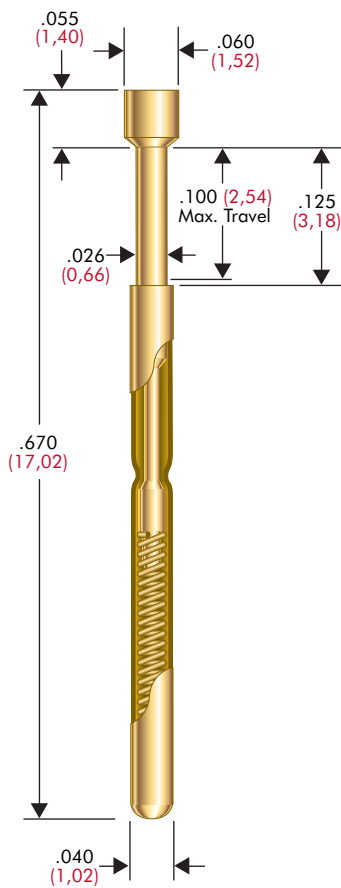
Minimum Centers: .075 (1,91)
 Current Rating: 3 amps continuous
 Spring Force: 2.0, 3.8 or 6.6 oz. @ .070 (1,78) travel
 Typical Resistance: <25 mΩ
 Working Travel: .070 (1,78)

Rated Force oz (gms)	Preload oz (gms)	Material
2.0 (57)	0.8 (23)	SS
3.8 (108)	1.5 (43)	SS
6.6 (187)	2.0 (57)	MW

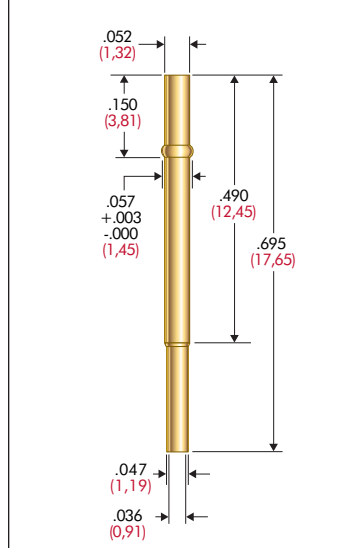
MATERIALS

Barrel: Nickel/silver, gold plated
 Spring: Stainless steel or music wire, gold plated
 Plunger: Full-hard beryllium copper, gold plated over nickel or optional Duralloy™
 Receptacle: Nickel/silver, gold plated, gold plated post

S-1 PROBE



R-1 Receptacle



Drill Size: 1,45mm
 Mounting Hole Size: .055/.057 (1,40/1,45)
 Recommended Wire: 24-28 gage

RECEPTACLE OPTIONS

Part Number	Style	Receptacle Length	Probe/Receptacle Combined Length	Comments
R-1-CR	Crimp	0.695 (17,65)	0.875 (22,23)	—
R-1-SC	Solder Cup	0.695 (17,65)	0.875 (22,23)	—
R-1-RP	Round Post	1.070 (27,18)	1.250 (31,75)	.375 post length - .025 dia.
R-1-WW-429	Wire Wrap	1.124 (28,55)	1.304 (33,12)	.429 post length - .025 sq.

HOW TO ORDER: SPRING CONTACT PROBE RECEPTACLE

S SERIES	1 SIZE	A TIP STYLE	3.8 SPRING FORCE	G PLATING OPTIONS	R SERIES	1 SIZE	WW TERMINATION	429 POST LENGTH
SERIES: S: Standard SX: Improved Pointing Accuracy		SPRING FORCE: 2.0 oz. @ .070 (1,78) travel 3.8 oz. @ .070 (1,78) travel 6.6 oz. @ .070 (1,78) travel		PLATING OPTIONS: G: Gold Plated Plunger D: Duralloy™ Plated Plunger		TERMINATIONS: CR: Crimp SC: Solder Cup RP: Round Post WW: Wire Wrap		POST LENGTH: WW: 429

View updates of this information at www.idinet.com

Specifications subject to change without notice. Dimensions in inches (millimeters)