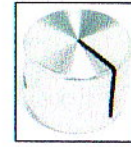


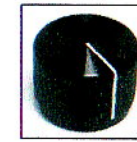
P/N	A	B	C	D	Color
KLN500A1/8	12.7	9.5	11.3	3.2	Natural
KLN500B/18	12.7	9.5	11.3	3.2	Black
KLN500A1/4	12.7	9.5	11.3	6.4	Natural
KLN500B1/4	12.7	9.5	11.3	6.4	Black
KLN700A1/8	18.8	15.0	17.4	3.2	Natural
KLN700B1/8	18.8	15.0	17.4	3.2	Black
KLN700A1/4	18.8	15.0	17.4	6.4	Natural
KLN700B1/4	18.8	15.0	17.4	6.4	Black
KLN900A1/4	23.8	18.0	22.4	6.4	Natural
KLN900B1/4	23.8	18.0	22.4	6.4	Black
KLN1250A1/4	31.8	25.0	30.4	6.4	Natural
KLN1250B1/4	31.8	25.0	30.4	6.4	Black



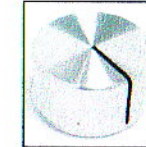
KLN500B



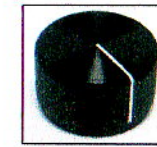
KLN700A



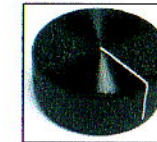
KLN700B



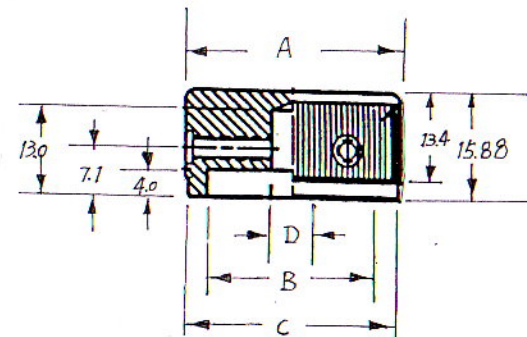
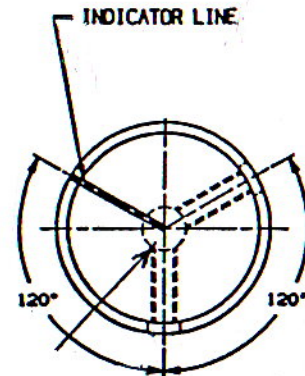
KLN900A



KLN900B



KLN1250B1/4



嘉信旋鈕股份有限公司
 CHIA SHIN KNOBS CO., LTD.
 351, YUNGHO ROAD,
 CHUNGHO CITY,
 TAIPEI HSIEN,
 TEL:(02)2225-1216~7
 FAX:(02)2222-7312

Material: ALUMINUM SOLIDE
 Tolerance: +/-0.20
 Unit : mm

P/N:	
CHIA SHIN P/N:	KLN SERIES

Date: 1-Sep-07