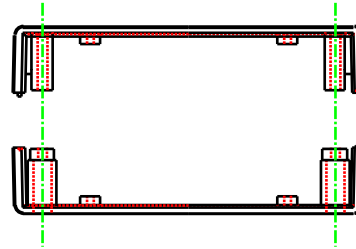


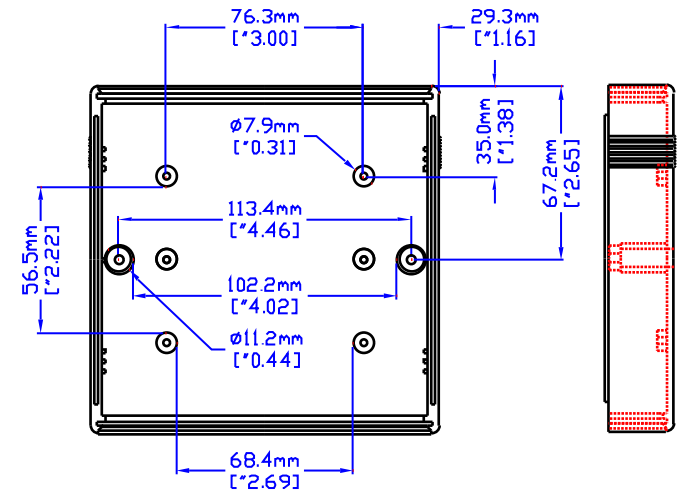
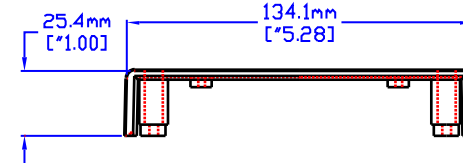
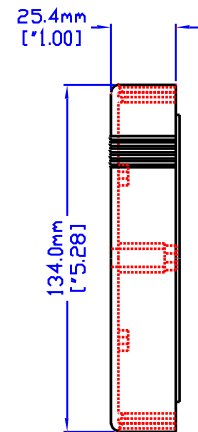
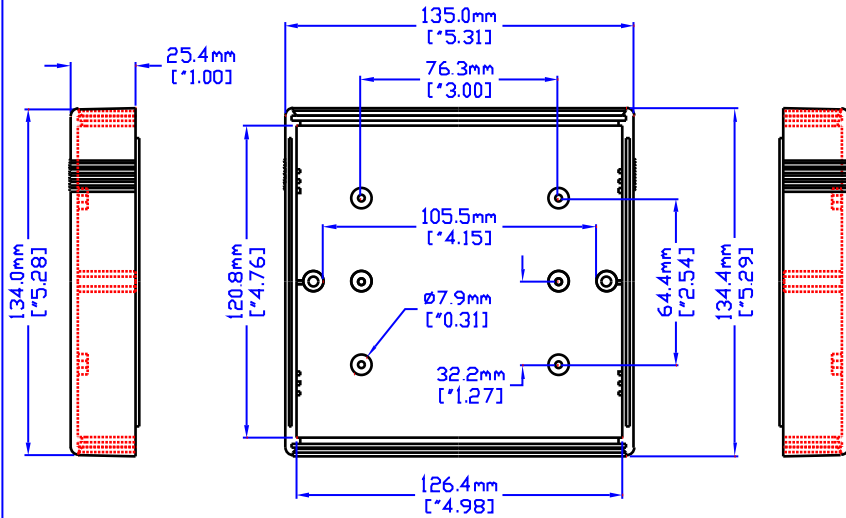
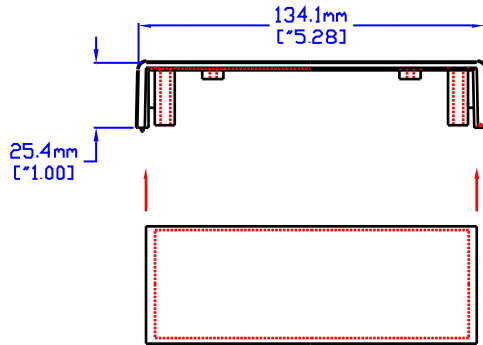
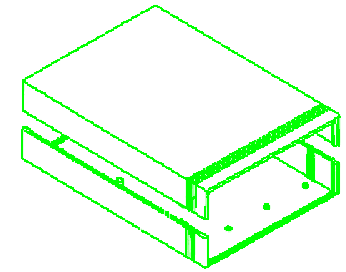
NOTES

MATERIAL: -ABS UL94 V0 WITH BRASS INSERTS & M3 SCREWS,
 -STYRENE SELF TAPPING SCREWS,
 -AVAILABLE IN BLACK & GRAY.



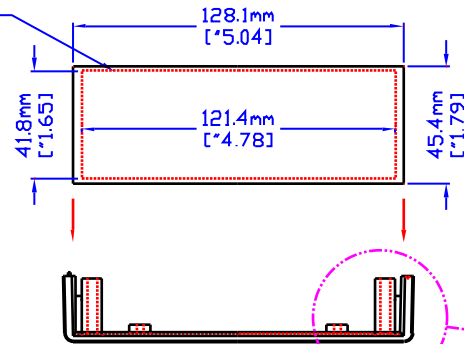
CASE 'A' & 'B'

3D VIEW
 (NOT TO SCALE)



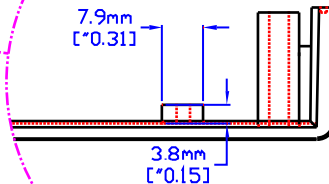
CASE 'B'

HIDDEN LINE INDICATES THE AREA COVERED BY ENCLOSURE SLOT



CASE 'A'

TYPICAL POST DIMENSIONS



HAMMOND MANUFACTURING

1598B

CANADA - PH (519) 886 7170 - FAX (519) 886 8311
 U.S.A. - PH (716) 631 5700 - FAX (716) 631 1156