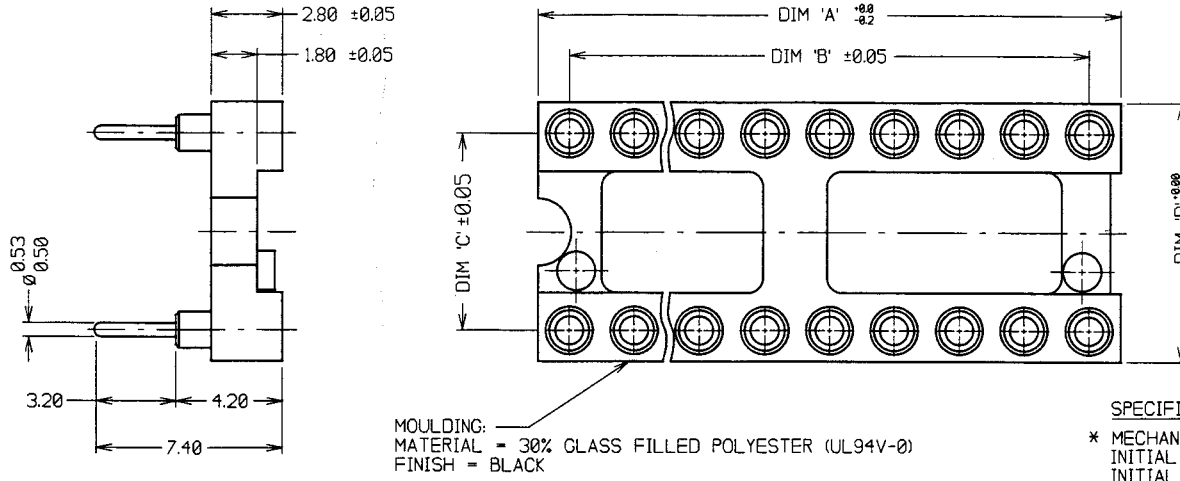
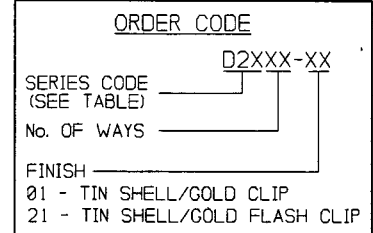


Customer Information Sheet

DRAWING No.: D2XXX-01 / D2XXX-21 SHEET 2 OF 2 IF IN DOUBT - ASK (C) NOT TO SCALE THIRD ANGLE PROJECTION ALL DIMENSIONS IN mm



CONTACTS:
 MATERIAL - SHELL = BRASS
 CLIP = BERYLLIUM COPPER
 FINISH - 01 = SHELL: TIN, CLIP: GOLD
 21 = SHELL: TIN, CLIP: GOLD FLASH



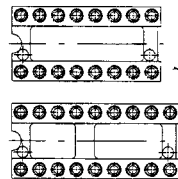
SPECIFICATIONS:

- * MECHANICAL:
 INITIAL INSERTION FORCE = 3N MAX (0.43mm Ø GAUGE)
 INITIAL WITHDRAWAL FORCE = 0.5N MIN (0.43mm Ø GAUGE)
 RETENTION FORCE MEASURED WITH A POLISHED STEEL GAUGE
 DIAMETER 0.40mm AFTER 3 INSERTIONS OF A PIN WITH
 A DIAMETER 0.53mm : 0.14N MIN
 MECHANICAL LIFE = 100 CYCLES MIN
- * ELECTRICAL:
 MAXIMUM WORKING CURRENT (1 TERMINAL) = 1 AMP
 RATED VOLTAGE = 100V RMS / 150V DC
 CONTACT RESISTANCE = 10 MILLIOHMS MAXIMUM
 INSULATION RESISTANCE = 10000 MEGOHMS
 DIELECTRIC STRENGTH = 1000V RMS MIN
- * GENERAL:
 OPERATING TEMPERATURE = -55°C TO 125°C
- * FOR COMPLETE SPECIFICATION, SEE COMPONENT
 SPECIFICATION C004XX (LATEST ISSUE).

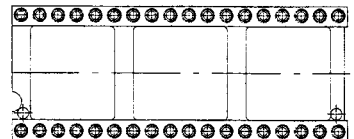
- * NOTES:
 1. COMPONENTS SUPPLIED IN PLASTIC TUBES 537mm LONG.
 2. RECOMMENDED MOUNTING HOLE SIZE = Ø0.80mm

HARWIN PART No.	No. OF WAYS	STYLE	DIM 'A'	DIM 'B'	DIM 'C'	DIM 'D'
D2806-XX	6	1	7.6	5.08	7.62	10.02
D2808-XX	8	1	10.1	7.62	7.62	10.02
D2814-XX	14	1	17.7	15.24	7.62	10.02
D2816-XX	16	1	20.3	17.78	7.62	10.02
D2818-XX	18	2	22.8	20.32	7.62	10.02
D2820-XX	20	2	25.3	22.86	7.62	10.02
D2922-XX	22	2	27.8	25.4	7.62	10.02
D2822-XX	22	2	27.8	25.4	10.16	12.6
D2824-XX	24	2	30.4	27.94	15.24	17.64
D2924-XX	24	2	30.4	27.94	7.62	10.02
D2724-XX	24	2	30.4	27.94	10.16	12.6
D2828-XX	28	2	35.5	33.02	15.24	17.64
D2832-XX	32	2	40.6	38.1	15.24	17.64
D2840-XX	40	3	50.8	48.26	15.24	17.64
D2948-XX	48	3	60.9	58.42	15.24	17.64
D2864-XX	64	4	81.2	78.74	22.86	25.4

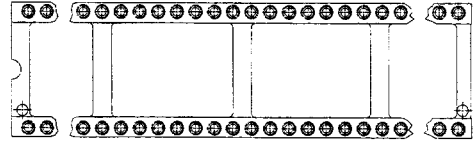
STYLE '1'



STYLE '2'



STYLE '3'



STYLE '4'

12	29.10.97	4118
11	11.09.96	3461
ISS.	DATE	C/N
APPROVED:	<i>[Signature]</i>	
CHECKED:	<i>[Signature]</i>	
DRAWN:	A LIOTTA	
CUSTOMER REF.		
ASSEMBLY DRG.		

HARWIN

HARWIN INC U.S.A. TEL: (812) 285 0055 FAX: (812) 285 0056	HARWIN PLC UK TEL: 01705 370451 FAX: 01705 324010	HARWIN PTE SINGAPORE TEL: 65 7794909 FAX: 65 7793868	HARWIN CONNECTORS KOREA TEL: 822 521 0747 FAX: 822 521 0749
--	--	---	--

TOLERANCES
 X. = ±1mm
 X.X = ±0.25mm
 X.XX = ±0.10mm
 X.XXX = ±0.01mm
 ANGLES = ±1°
 UNLESS STATED

MATERIAL:
 SEE ABOVE
FINISH:
 SEE ABOVE
S/AREA:
 mm²

TITLE:
 DIL IC SOCKET
 OPEN FRAME
DRAWING NUMBER:
 D2XXX-01/D2XXX-21
SHT
 2 OF 2