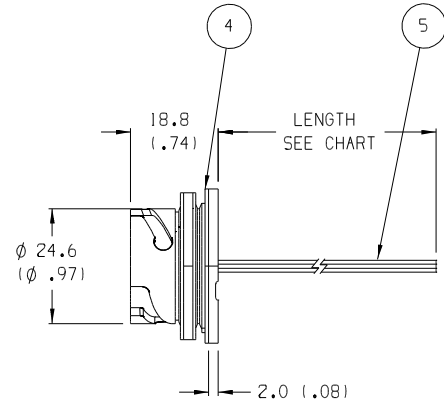
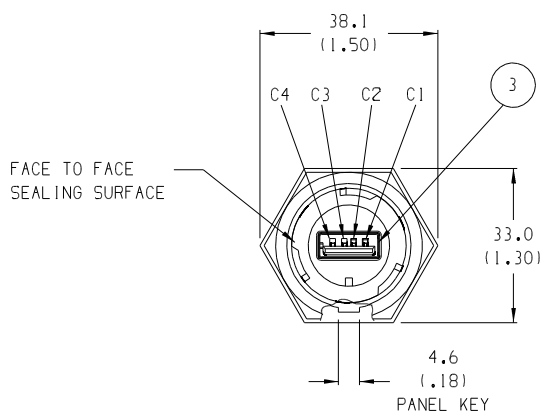
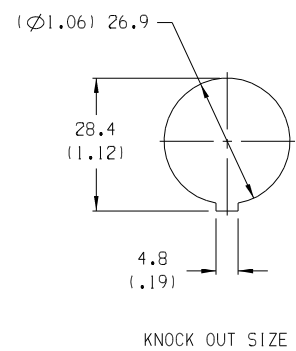
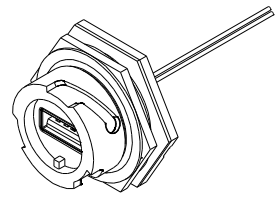
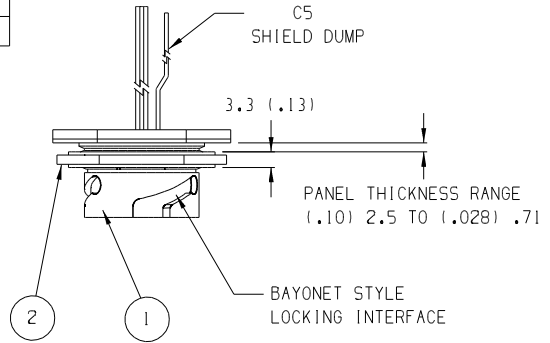


PART NO.	LENGTH
847290001	152MM [0'-6"] +0.5"/-0.0"



1	RED
2	WHITE
3	GREEN
4	BLACK
5	GRAY

NOTES:

1. MATERIAL: SEE TABLE
2. FINISHES: SEE TABLE
3. PRODUCT SPECIFICATION: SEE SPECIFICATION
4. PACKAGING: AS REQUIRED
5. MATES WITH: INDUSTRY STANDARD BAYONET LOCKING USB TYPE-A
6. DRAWING FORMERLY SK0901

9	1	CONDUCTOR, STRANDED 28AWG, TC	-	GRAY
8	1	CONDUCTOR, STRANDED 28AWG, TC	POLYOLEFIN	BLACK
7	1	CONDUCTOR, STRANDED 28AWG, TC	POLYOLEFIN	GREEN
6	1	CONDUCTOR, STRANDED 28AWG, TC	POLYOLEFIN	WHITE
5	1	CONDUCTOR, STRANDED 28AWG, TC	POLYOLEFIN	RED
4	1	PANEL GASKET	NEOPRENE	BLACK
3	1	USB TYPE-A SHIELDED I/O RECEPTACLE	POLYESTER	BLACK
2	1	LOCK NUT	POLYESTER	BLACK
1	1	RECEPTACLE HOUSING	POLYESTER	BLACK

ITEM	QTY.	DESCRIPTION	MATERIAL	FINISH
------	------	-------------	----------	--------

02-08-05 EC NO. RELEASED DRWN: S.GILBERT CHK: CHYK APPR:	DESCRIPTION MAJOR CRITICAL SPC S	GENERAL TOLERANCES: (UNLESS SPECIFIED)		SCALE	DESIGN UNITS	THIRD ANGLE PROJECTION	PROJECT NO. PDR #04-069	1	-
		m/m	INCH	FULL	<input type="checkbox"/> mm <input checked="" type="checkbox"/> INCH	<input checked="" type="checkbox"/> mm <input type="checkbox"/> INCH	SHT	REV	
B	REV	4 PLACES	±.0015	DRAWN BY & DATE	TITLE:				
		3 PLACES	±.005	S.GILBERT 07-02-04	RECEPTACLE, PANEL MTG, USB TYPE-A, SHIELDED, 5/C PIGTAIL, CIC				
		2 PLACES	±.13	CHECKED BY & DATE	APPROVED BY & DATE				
		1 PLACE	±.3	AMP 12-02-04	GHR 12-02-04				
		ANGULAR: ±2°		CAD FILENAME	MATERIAL NO.	DRAWING NO.	SHEET NO.		
		DRAFT WHERE APPLICABLE MUST REMAIN WITHIN DIMENSIONS		SD-84729-001	847290001	SD-84729-001	1 OF 1		
THIS DRAWING CONTAINS INFORMATION THAT IS PROPRIETARY TO MOLEX INCORPORATED AND SHOULD NOT BE USED WITHOUT WRITTEN PERMISSION.								SIZE	
								B	

