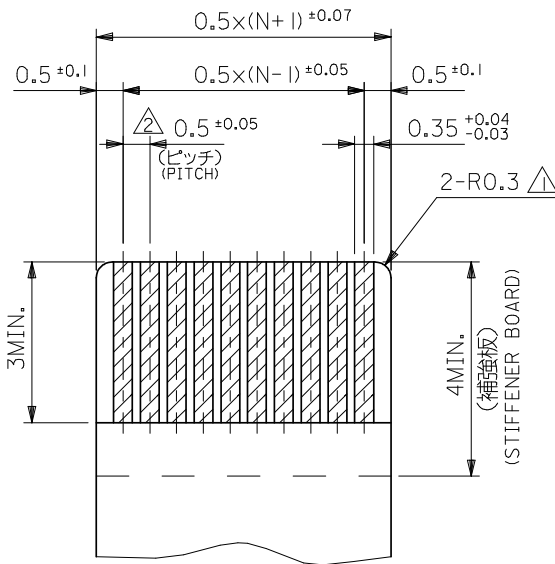


注記 NOTES

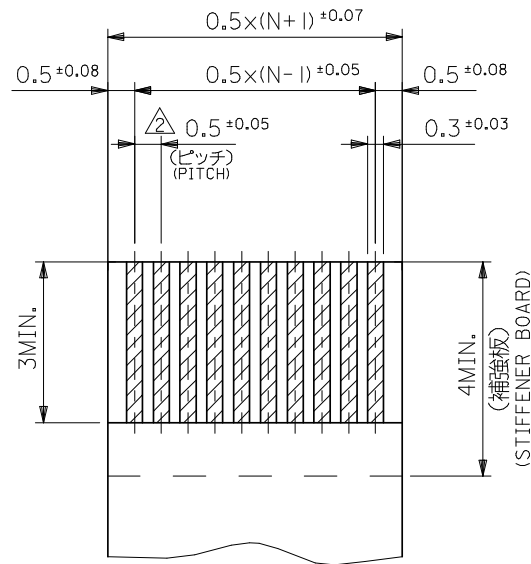
- 材質 MATERIAL
 ハウジング: PPHS, UL94V-0
 HOUSING: PPHS, UL94V-0
 ターミナル: リン青銅 (t=0.2)、
 ニッケル下地、金メッキ (接点部) 錫メッキ (テール部)
 TERMINAL: PHOS-BRO.(t=0.2),
 GOLD (CONTACT) TIN (TAIL) OVER NICKEL PLATING
 金具: リン青銅 (t=0.2)、ニッケル下地 錫メッキ
 FITTING NAIL: PHOS-BRO.(t=0.2), TIN OVER NICKEL PLATING
 HARF BRIGHT PLATING
 ② 偶数極に適用。
 APPLY FOR EVEN CIRCUIT.
 ③ ソルダーテール半田付け面及び金具半田付け面のズレ量は、
 基準面 [F] に対し、上方向 0.1 MAX.
 下方向 0.15 MAX. とする。
 MISALIGNMENT OF SOLDER TAILS AND FITTING NAILS
 FROM [F] : UPPER DIRECTION 0.1 MAX.
 : LOWER DIRECTION 0.15 MAX.
- 本製品は 52976-**40 の鉛フリー (部分金メッキ) 品である。
 THIS PRODUCT IS LEAD FREE OF 52976-**40 (SELECTIVE GOLD).
- ソルダーテールの平坦度は 0.1 MAXIMUM とする。
 SOLDER TAIL COPLANARITY IS 0.1 MAXIMUM.

18.5	15.5	14.5	52976-3062	52976-3047	30
15.5	12.5	11.5	-2462	-2447	24
14.0	11.0	10.0	-2162	-2147	21
13.0	10.0	9.0	-1962	-1947	19
12.5	9.5	8.5	-1862	-1847	18
12.0	9.0	8.0	-1762	-1747	17
11.5	8.5	7.5	-1662	-1647	16
11.0	8.0	7.0	-1562	-1547	15
10.5	7.5	6.5	-1462	-1447	14
9.5	6.5	5.5	-1262	-1247	12
8.5	5.5	4.5	-1062	-1047	10
8.0	5.0	4.0	-0962	-0947	9
7.5	4.5	3.5	-0862	-0847	8
6.5	3.5	2.5	52976-0662	52976-0647	6

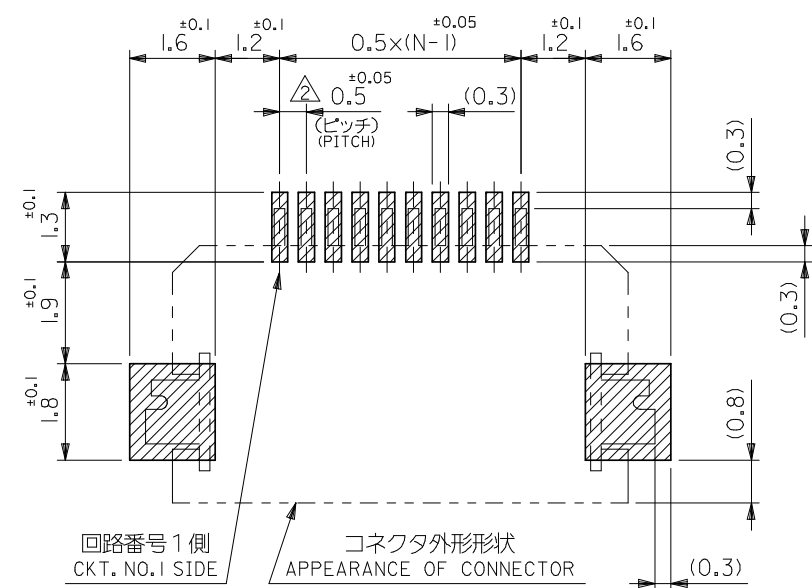
REVISED EC NO: J2009-0003 DRWN:MNABEI 2008/07/08 CHKD:THARYAMA 2008/07/09 APPR:NUKITA 2008/07/09	DESCRIPTION		GENERAL TOLERANCES (UNLESS SPECIFIED)		DIMENSION STYLE		SCALE		DESIGN UNITS		THIRD ANGLE PROJECTION	
	10 UNDER		±0.2		MM ONLY		---		METRIC		◎ □	
	10 OVER 30 UNDER		±0.25		DRAWN BY DATE		TITLE		0.5 FFC/FPC CONN NON-ZIF HSG ASSY(BOTTOM CONTACT) -LEAD FREE-			
	30 OVER		±0.3		MNABEI '04/08/17		MOLEX INCORPORATED					
	ANGULAR		±3 °		CHECKED BY DATE		DOCUMENT NO.		SHEET NO.		NO. OF CKT.	
DRAFT WHERE APPLICABLE MUST REMAIN WITHIN DIMENSIONS		MATERIAL NO.		APPROVED BY DATE		SEE TABLE		SD-52976-012		1 OF 2		
REV		A3		NUKITA '04/08/17		THIS DRAWING CONTAINS INFORMATION THAT IS PROPRIETARY TO MOLEX INCORPORATED AND SHOULD NOT BE USED WITHOUT WRITTEN PERMISSION						



適合FPC推奨寸法
 APPLICABLE FPC
 RECOMMENDED DIMENSION
 (仕上がり厚さ: 0.3±0.03)
 (THICKNESS : 0.3±0.03)



適合FFC推奨寸法
 APPLICABLE FFC
 RECOMMENDED DIMENSION
 (仕上がり厚さ: 0.3±0.03)
 (THICKNESS : 0.3±0.03)



参考基板レイアウト
 REFERENCE P.C.BOARD
 PATTERN DIMENSION
 (マウント面)
 (MOUNTING SIDE)

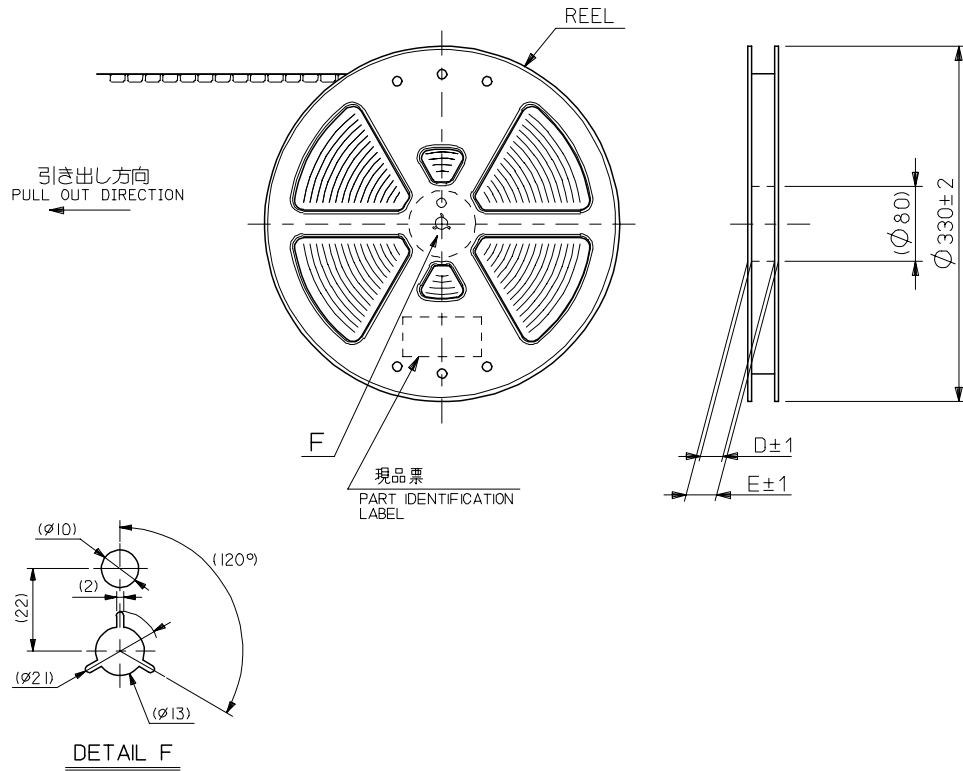
注記 NOTES

- △ R0.3 は、FPCの導体部にかからないこと。
 R0.3 MUST NOT BE OVERLAPPED TO PATTERN OF FPC.
- △ 公差非累積のこと。
 NON-ACCUMULATIVE.
- 3. FPCについて:
 打抜き方向は導体側から補強板を推奨致します。
 補強フィルム材質はポリイミドを推奨致します。
 接着剤は熱硬化接着剤を推奨致します。

ABOUT FPC:
 RECOMMENDED PUNCHER DIRECTION : FROM CONDUCTOR SIDE TO STIFFENER BOARD SIDE.
 RECOMMENDED MATERIAL :
 STIFFENER FILM : POLYIMIDE
 BONDING AGENT : THERMOSETTING BONDING AGENT

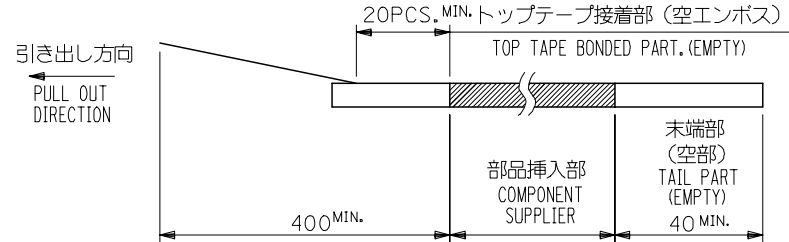
52976-**-47 MODEL NO.

REVISED EC NO: J2009-0003 DRWN:MNABEI 2008/07/08 CHKD:THARUYAMA 2008/07/09 APPR:NUKITA 2008/07/09	GENERAL TOLERANCES (UNLESS SPECIFIED)		DIMENSION STYLE MM ONLY		SCALE ---	DESIGN UNITS METRIC	THIRD ANGLE PROJECTION	
	10 UNDER	±0.2	DRAWN BY MNABEI	DATE '04/08/17	TITLE 0.5 FFC/FPC CONN NON-ZIF HSG ASSY(BOTTOM CONTACT) -LEAD FREE-			
	10 OVER 30 UNDER	±0.25	CHECKED BY KTOJO	DATE '04/08/17				
	30 OVER	±0.3	APPROVED BY NUKITA	DATE '04/08/17	MOLEX INCORPORATED			
	ANGULAR	±3 °	MATERIAL NO.	DOCUMENT NO.				
DRAFT WHERE APPLICABLE MUST REMAIN WITHIN DIMENSIONS		SEE SHEET 1		SD-52976-012		2 OF 2		
SIZE A3 THIS DRAWING CONTAINS INFORMATION THAT IS PROPRIETARY TO MOLEX INCORPORATED AND SHOULD NOT BE USED WITHOUT WRITTEN PERMISSION								

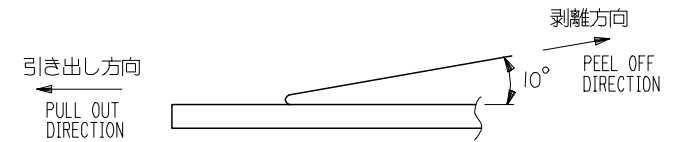


NOTES

1. 梱包数量：1000個/リール
NUMBER OF CONNECTORS : 1000PCS/REEL
2. リードテープ長さ LEAD TAPE LENGTH



3. トップテープの剥離強度：0.1N ~ 1.3N(10gf ~ 130gf)
(剥離方向は下図参照)
尚、本規格値は出荷時に適用。(但し、輸送時に剥離が発生しないこと。)
PEELING OFF FORCE OF TOP TAPE : 0.1N ~ 1.3N(10gf ~ 130gf)
(PEELING DIRECTION AS SHOWN IN FOLLOWING FIG.)
THIS REQUIREMENT SHOULD BE APPLIED AT SHIPMENT.
PEEL OFF SHOULD NOT BE ALLOWED , DURING TRANSPORTATION.



4. 材料
キャリアテープ：ポリプロピレン (PP)
トップテープ：PET, PE, PEF
リール：ポリスチレン (PS) <リサイクル材を含む>
MATERIAL CARRIER TAPE:POLYPROPYLENE
TOP TAPE:PET,PE,PEF
REEL:POLYSTYRENE(PS)
<RECYCLE MATERIAL CONTAINED>

5. 本製品は 52976-**-92 の鉛フリー(部分金メッキ)品である。
THIS PRODUCT IS LEAD FREE OF 52976-**-92 (SELECTIVE GOLD).

52976-**-62 MODEL NO.

REVISED EC NO: J2008-1372 DRW:HYAJIMA 2007/10/23 CHKD:THARUYAMA 2007/10/23 APPR:NUKITA 2007/10/23	GENERAL TOLERANCES (UNLESS SPECIFIED)		DIMENSION STYLE MM ONLY		SCALE ---	DESIGN UNITS METRIC	THIRD ANGLE PROJECTION	
	10 UNDER	±0.2	DRAWN BY MNABEI	DATE '04/08/17	TITLE 0.5 FPC CONN NON ZIF HSG ASSY BTM CONT EMBSTP PKG -LEAD FREE-			
	10 OVER 30 UNDER	±0.25	CHECKED BY KTOJO	DATE '04/08/17	MOLEX INCORPORATED			
	30 OVER	±0.3	APPROVED BY NUKITA	DATE '04/08/17	DOCUMENT NO. SD-52976-013			
	ANGULAR	±3 °	MATERIAL NO. SEE SHEET 2		SHEET NO. 1 OF 2			
DRAFT WHERE APPLICABLE MUST REMAIN WITHIN DIMENSIONS		THIS DRAWING CONTAINS INFORMATION THAT IS PROPRIETARY TO MOLEX INCORPORATED AND SHOULD NOT BE USED WITHOUT WRITTEN PERMISSION						

10 9 8 7 6 5 4 3 2 1

F

E

D

C

B

A

F

E

D

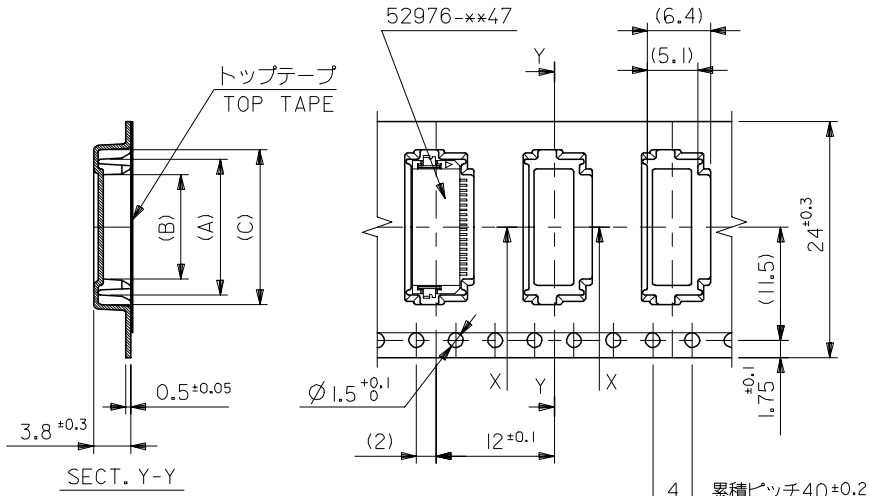
C

B

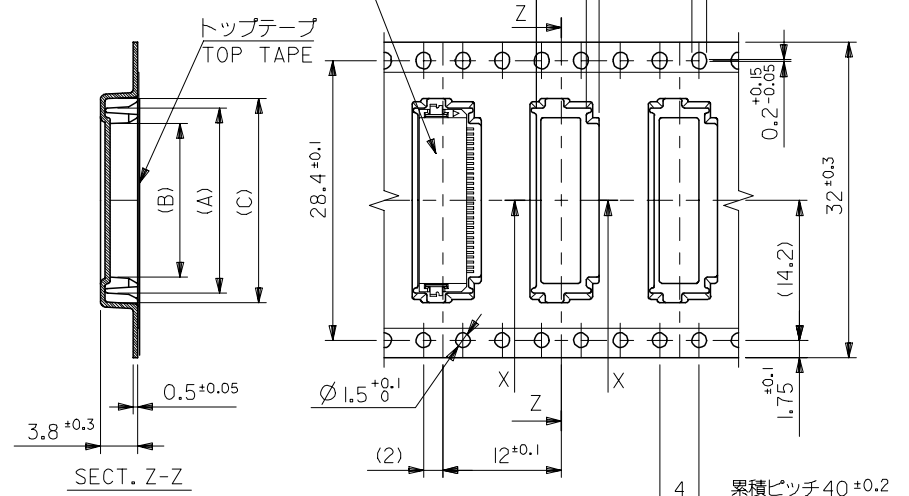
A

引き出し方向
PULL OUT DIRECTION

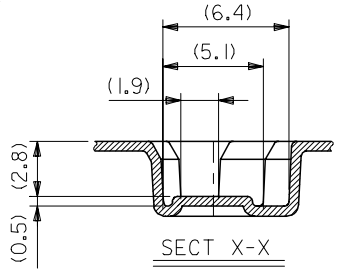
引き出し方向
PULL OUT DIRECTION



24mm 幅 キャリアテープ
24mm WIDTH CARRIER TAPE



32mm 幅 キャリアテープ
32mm WIDTH CARRIER TAPE



SECT. X-X

32	37.4	33.4	20.7	15.6	18.8	52976-3062	30
			17.7	12.6	15.8	52976-2462	24
			16.2	11.1	14.3	52976-2162	21
			15.2	10.1	13.3	52976-1962	19
			14.7	9.6	12.8	52976-1862	18
			14.2	9.1	12.3	52976-1762	17
			13.7	8.6	11.8	52976-1662	16
			13.2	8.1	11.3	52976-1562	15
			12.7	7.6	10.8	52976-1462	14
			11.7	6.6	9.8	52976-1262	12
24	29.4	25.4	10.7	5.6	8.8	52976-1062	10
			10.2	5.1	8.3	52976-0962	9
			9.7	4.6	7.8	52976-0862	8
			8.7	3.6	6.8	52976-0662	6
			(C)	(B)	(A)	MATERIAL. NO.	極数 CKT.

REVISED EC NO: J2008-1372 DRW: HAJIMA 2007/10/23 CHKD: THARUYAMA 2007/10/23 APPR: NUKITA 2007/10/23	GENERAL TOLERANCES (UNLESS SPECIFIED)		DIMENSION STYLE MM ONLY	SCALE ---	DESIGN UNITS METRIC	THIRD ANGLE PROJECTION
	10 UNDER	±0.2	DRAWN BY MNABEI	DATE '04/08/17	TITLE 0.5 FPC CONN NON ZIF HSG ASSY BTM CONT EMBSTP PKG -LEAD FREE-	
	10 OVER 30 UNDER	±0.25	CHECKED BY KT0JO	DATE '04/08/17	MOLEX INCORPORATED	
	30 OVER	±0.3	APPROVED BY NUKITA	DATE '04/08/17	DOCUMENT NO. SD-52976-013	
	ANGULAR	±3 °	MATERIAL NO.	DATE	SHEET NO. 2 OF 2	

52976-xx62 MODEL NO.

THIS DRAWING CONTAINS INFORMATION THAT IS PROPRIETARY TO MOLEX INCORPORATED AND SHOULD NOT BE USED WITHOUT WRITTEN PERMISSION