

PC BOARD CONNECTORS

760 SERIES (CARD EDGE CONNECTORS)

■ FEATURES

- The 760 series connector is a card edge connector. It provides IDC connection between a flat cable and card edge 1.6 mm (0.063 in.) thick and with 2.54 mm (0.100 in.) pitch conductors.
- Contacts with a card with a twin-type contact, giving high reliability.
- The series offers 10 to 60 contacts. Mounting parts are divided into three types.
- A strain relief can be mounted.
- New end type covers are now available.

■ SPECIFICATIONS

Item	Specification
Operating temperature range	-55°C to +105°C
Current rating	DC 1 A
Voltage rating	AC 250 V
Contact resistance	20 mΩ max. (DC 6 V, 0.1 A)
Insulation resistance	1000 MΩ min. (DC 500 V)
Dielectric strength	AC 500 V for 1 minute
Applicable wire	Flat cable: 1.27 mm (0.050 in.) pitch AWG #28 (stranded) or AWG #30 (solid)
Applicable PC board (standard)	1.6 mm

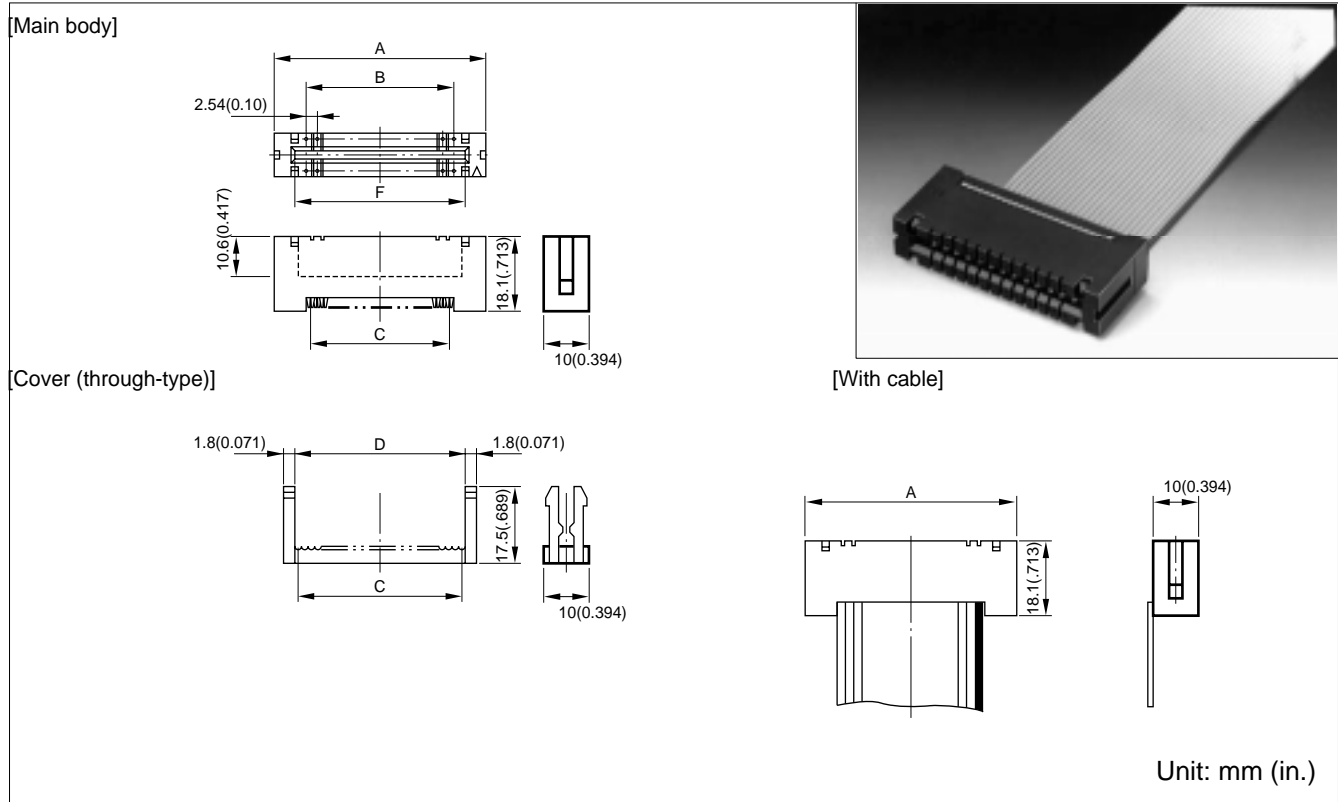
■ MATERIALS

Item	Materials
Insulating material	Polyester (UL94V-0)
Conductor	Copper alloy
Plating	Gold

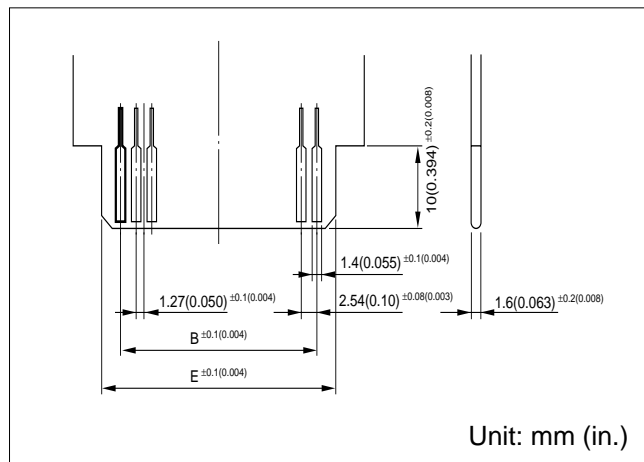


760 Series (Card Edge Connectors)

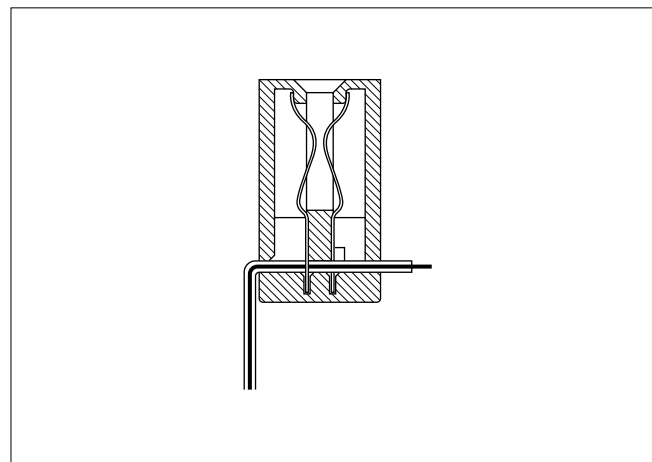
THROUGH-TYPE (WITHOUT MOUNTING FLANGES, WITHOUT STRAIN RELIEF) ■ DIMENSIONS



■ PC BOARD PATTERN



■ CROSS SECTION (WITH CABLE)



■ PART NUMBERS AND DIMENSIONS

Number of contacts	Part number	Dimensions (unit: mm (in.))					
		A	B	C	D	E	F
10	FCN-767J010-AU/1	24.36 (0.960)	10.16 (0.400)	11.43 (0.450)	13.95 (0.549)	15.11 (0.595)	15.34 (0.604)
16	FCN-767J016-AU/1	31.98 (1.260)	17.78 (0.700)	19.05 (0.750)	21.57 (0.849)	22.73 (0.895)	22.96 (0.904)
20	FCN-767J020-AU/1	37.06 (1.460)	22.86 (0.900)	24.13 (0.950)	26.65 (1.049)	27.81 (1.095)	28.04 (1.104)
26	FCN-767J026-AU/1	44.68 (1.760)	30.48 (1.200)	31.75 (1.250)	34.27 (1.349)	35.43 (1.395)	35.65 (1.404)
30	FCN-767J030-AU/1	49.76 (1.960)	35.56 (1.400)	36.83 (1.450)	39.35 (1.549)	40.51 (1.595)	40.74 (1.604)
34	FCN-767J034-AU/1	54.84 (2.160)	40.64 (1.600)	41.91 (1.650)	44.43 (1.749)	45.59 (1.795)	45.82 (1.804)
40	FCN-767J040-AU/1	62.46 (2.460)	48.26 (1.900)	49.53 (1.950)	52.05 (2.049)	53.21 (2.095)	53.44 (2.104)
50	FCN-767J050-AU/1	75.16 (2.960)	60.96 (2.400)	62.23 (2.450)	64.75 (2.549)	65.91 (2.595)	66.14 (2.604)
60	FCN-767J060-AU/1	87.86 (3.460)	73.66 (2.900)	74.93 (2.950)	77.45 (3.049)	78.61 (3.095)	78.84 (3.104)

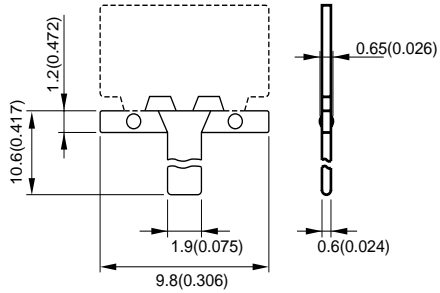
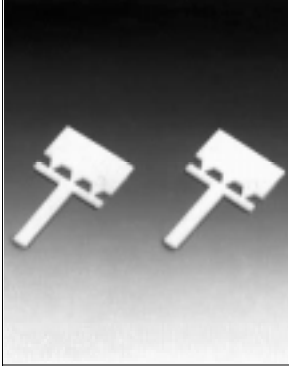
760 Series (Card Edge Connectors)

■ PREVENTING INCORRECT INSERTION

Plug a polarizing key into a connector. Place a key seat on a PC board that the key will plug into.

Polarizing key

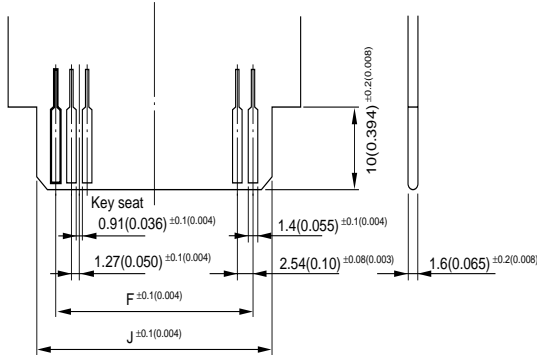
FCN-760A1



Note: Dotted lines indicate the section to be snapped off when used.

Unit: mm (in.)

PC board pattern



Unit: mm (in.)

■ SPECIFICATION OF POLARITY TO PREVENT INCORRECT INSERTION

- Specify polarity as follows:

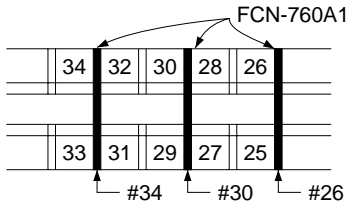
FCN-767J050-AU/3 # □ □ △

Basic part number

Common

Pin number with pin polarity
(Specify the adjacent pin with the maximum number).

Example: When specifying polarity for Nos. 26, 30, and 34, plug FCN-760A1 in the following three positions.



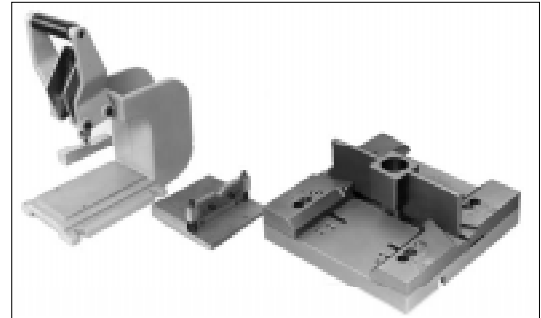
760 Series (Card Edge Connectors)

IDC TOOLS

■ FEATURES

- Special IDC tools are used to assemble FCN-760 series connectors and flat cables.
- All tools are simple and easy to use, even for first-time users.
- Users who have IDC tools manufactured by us do not have to buy hand presses or cut cables. They are compatible. Take care to buy the locator plate designed for your connectors.
- The number of pins can be changed easily by setting the connector guide to a specified pin hole.
- The cable cutter remains sharp, giving fast, easy cutting with long life.

- Notes:
- Please ask for an operation instruction manual if needed.
 - If you have any questions about Fujitsu IDC tools, please contact your local Fujitsu office or your local Fujitsu distributor.



Hand press

Cable cutter

Locator plate
(790 series)

■ PART NUMBERS FOR IDC TOOLS

Name	Part number
Cable cutter (common)	FCN-707T-T001/H
Hand press (common)	FCN-707T-T101/H
Locator plate (for 760 series connectors)	FCN-767T-T016/H

The hand press and the cable cutter can be used for other IDC connectors.