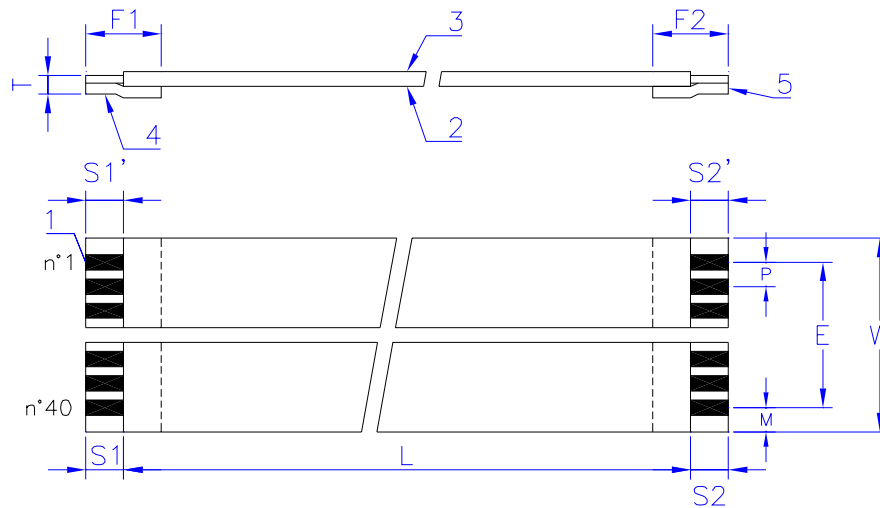


REV	MODIFICATIONS	DRAWN BY	CHECKED BY	DATE
A	CREATION	-	***	19/09/2008



CHARACTERISTICS

ITEMS	VALUE	TEST METHOD
Resistance of conductor	730 Ohm/km maxi	-
Conductor to conductor insulation resistance	10 MOhm.m mini	500 V DC
Dielectric test (conductor to conductor)	1 minute	200 V AC
Temperature rating	80 °C maxi	-
Voltage rating	30 V AC maxi	-
Flame resistance	VW - 1	UL 758
Marked tape on side itemized 3	AWM 2896 80C VW-1 + logo AXON' CABLE	

DIMENSIONS

ITEMS	UNITS	SPECIFICATIONS	
Number of conductors	-	40	
Pitch	MM	0,50 ± 0,05	P
Span	MM	19,50 ± 0,10	E
Total width	MM	20,50 ± 0,06	W
Margin	MM	0,50 +0,15/-0.096	M
Strip length	MM	5 ± 0,8	S1
Strip length	MM	5 ± 0,8	S2
End thickness	MM	0,30 ± 0,05	T
Insulated length	MM	150 ± 4	L
Reinforcement length	MM	10 ± 2	F1
Reinforcement length	MM	10 ± 2	F2
Strip difference S-S'	MM	0,30 max	

COMPOSITION

COMPONENTS		UNITS	SPECIFICATIONS	Item
Conductor	Material	-	Tin plated copper (2 µm typ)	1
	Dimensions	MM	0,30x0,10 mm nominal	
Insulation	Material	-	Polyester+flame retardant adhesive insulation	2 3
	Thickness	MM	0,115 mm nominal	
Reinforcement tape	Material	-	Blue polyester	4 5
	Thickness	MM	0,23 mm nominal	

UNLESS OTHERWISE SPECIFIED DIMENSIONS : MM ANGLES : d.			AXON'CABLE SAS 51210 MONTMIRAIL - FRANCE TEL : +33 3 26 81 70 00 FAX : +33 3 26 81 28 83 www.axon-cable.com	
			CUSTOMER N°	TITLE :
FILE N°	FFC0,50A40/0150L5,0-5,0-10,0-10,0SBBB		A	-
	SIZE	AXON'SA N°	Prod.	Doc.
	A4			
SCALE : N.D.			SHEET 1 of 1	