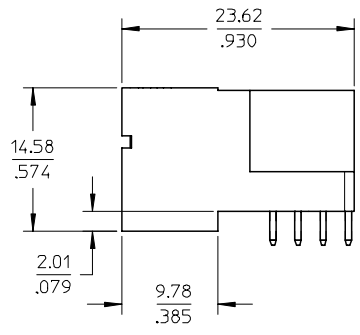
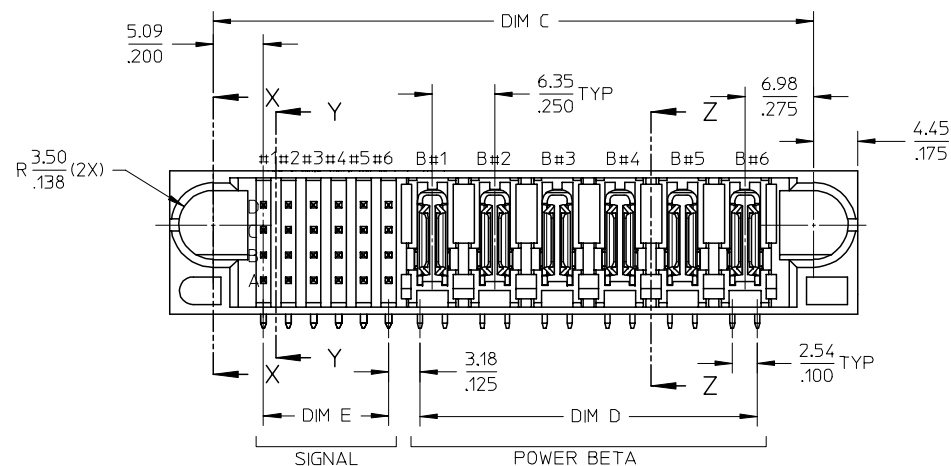
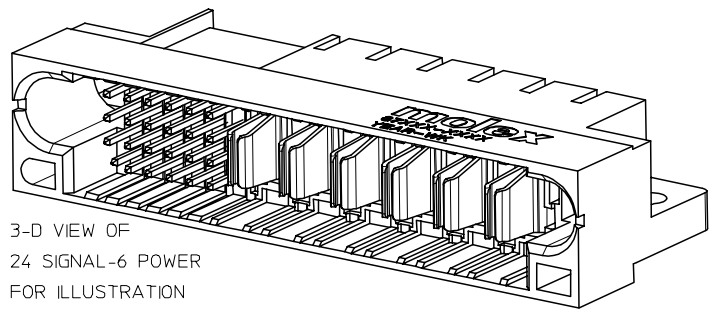
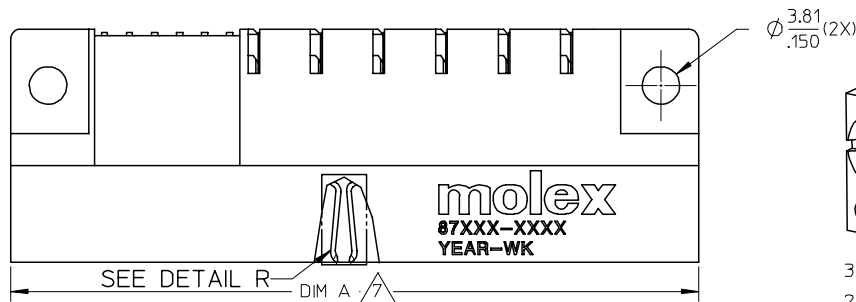


10 9 8 7 6 5 4 3 2 1



NOTES:

- MATERIALS : HOUSING - LCP
GLASS FILLED, UL94V-0, COLOR: BLACK
POWER PINS - COPPER ALLOY
SIGNAL PINS - COPPER ALLOY
BOARD LOCK - COPPER ALLOY
- FINISHES: POWER AD SIGNAL PINS
SELECTIVE GOLD IN THE CONTACT AREA
THICKNESS = 0.76 MICROMETER / 30 MICROINCH MINIMUM
SELECTIVE TIN IN THE PC TAIL AREA
THICKNESS = 2.54 MICROMETER / 100 MICROINCH MINIMUM
1.27um MINIMUM NICKEL OVERALL UNDERPLATE.
- PRODUCT SPECIFICATIONS : PS-87631-006
- SEE SHEET 2 FOR RECOMMENDED PCB LAYOUT AND THICKNESS
- COMPONENT STAY AWAY ZONE FROM CONNECTOR
- REFER TO THE TABLE ON TOP OF PAGE 3/3 FOR RECESSED PINS LOCATION
- 24 SIGNAL - 6 POWER CONNECTOR IS SHOWN FOR ILLUSTRATION

PDR#S-001643-00-00 EC NO: S2008-0094 DRWNS:KANG CHKD:ATSEE APPR:MLONG	2007/08/17	QUALITY SYMBOLS ▽=0 △=0
	2007/08/17	
	2007/08/20	
	REV	

GENERAL TOLERANCES (UNLESS SPECIFIED)	
mm	INCH
4 PLACES ± ---	± ---
3 PLACES ± ---	± .010
2 PLACES ± 0.25	± ---
1 PLACE ± ---	± ---
ANGULAR ± 3 °	
DRAFT WHERE APPLICABLE MUST REMAIN WITHIN DIMENSIONS	

DIMENSION STYLE	
MM/IN	DATE
DRAWN BY	2002/11/20
CHECKED BY	DATE
PTL IM	2002/11/26
APPROVED BY	DATE
SKT0H	2002/11/27
MATERIAL NO.	
SEE TABLE	
SIZE	A3

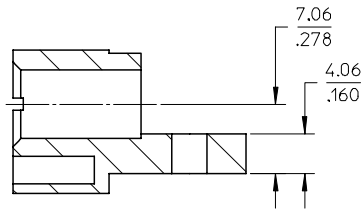
SCALE	DESIGN UNITS	THIRD ANGLE PROJECTION
NTS	METRIC	☉ □
TITLE		
POWER CONNECTOR PLUG		
S-P(B) CONFIGURATION		
R/A, T/H, SCREW-MOUNT		
MOLEX INCORPORATED		
DOCUMENT NO.	SHEET NO.	
SD-87667-010	1 OF 3	
THIS DRAWING CONTAINS INFORMATION THAT IS PROPRIETARY TO MOLEX INCORPORATED AND SHOULD NOT BE USED WITHOUT WRITTEN PERMISSION		

9 8 7 6 5 4 3 2 1

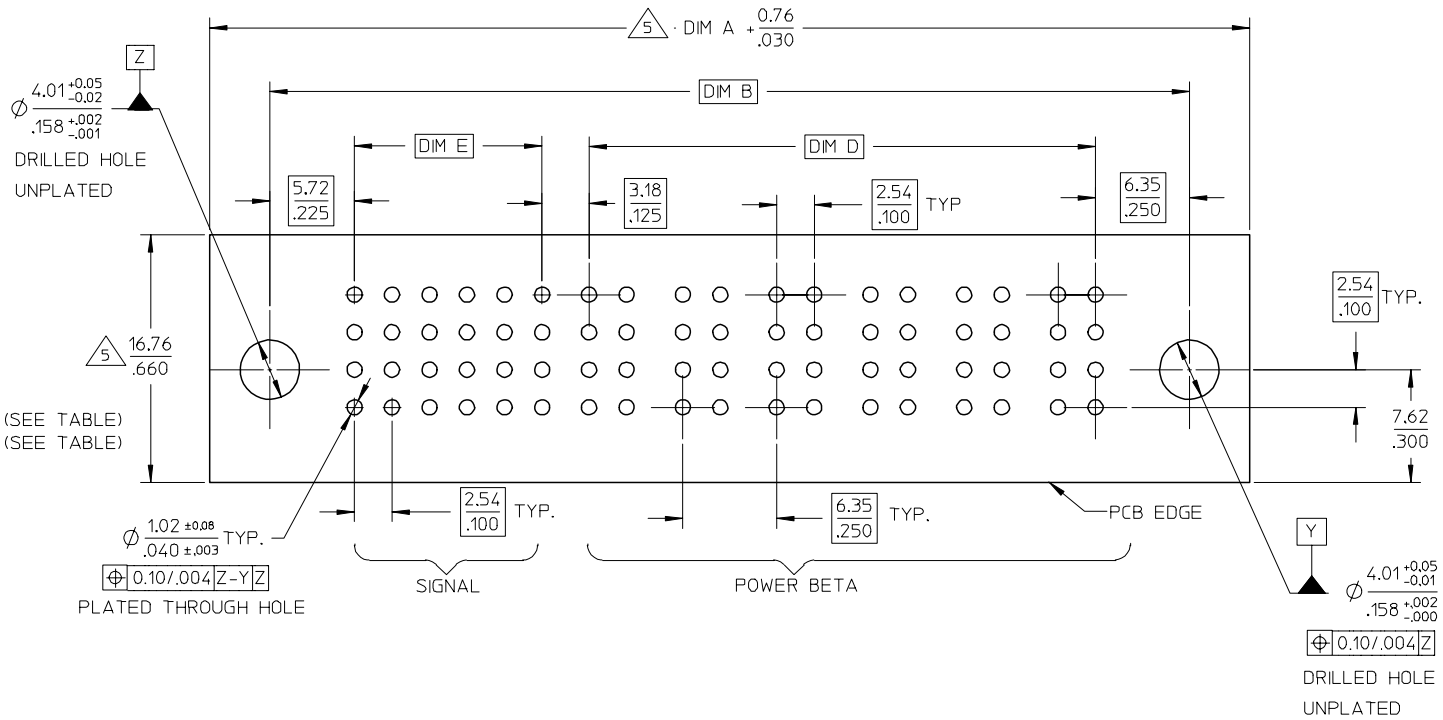
10 9 8 7 6 5 4 3 2 1

F
E
D
C
B
A

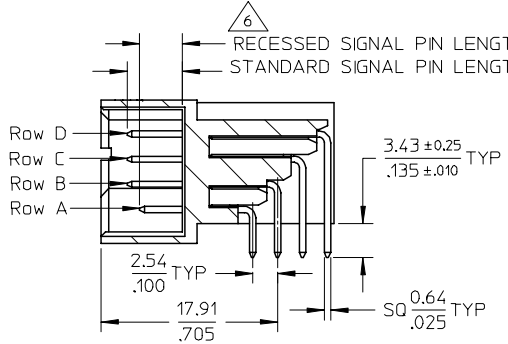
F
E
D
C
B
A



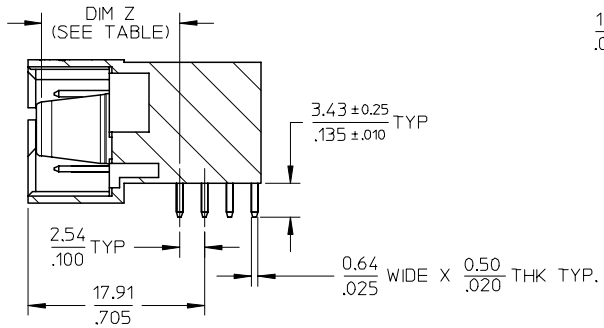
SECTION X-X



RECOMMENDED PCB LAYOUT



SECTION Y-Y



SECTION Z-Z

PDR#S-001643-00-00	DESCRIPTION
EC NO: S2008-0094	2007/08/17
DRWNS:KANG	2007/08/17
CHKD:ATSEE	2007/08/17
APPR:MLONG	2007/08/20
D5	REV

QUALITY SYMBOLS	▽=0
▽C=0	

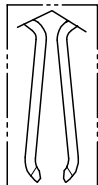
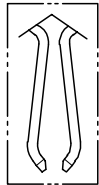
GENERAL TOLERANCES (UNLESS SPECIFIED)	
mm	INCH
4 PLACES ±---	±---
3 PLACES ±---	±.010
2 PLACES ±0.25	±---
1 PLACE ±---	±---
ANGULAR ± 3°	
DRAFT WHERE APPLICABLE MUST REMAIN WITHIN DIMENSIONS	

DIMENSION STYLE	
MM/IN	DATE
DRAWN BY	BHLOW
2002/11/20	
CHECKED BY	PTL IM
2002/11/26	
APPROVED BY	SKTOH
2002/11/27	
MATERIAL NO.	
SEE TABLE	
SIZE A3	

SCALE	DESIGN UNITS	THIRD ANGLE PROJECTION
NTS	METRIC	
TITLE		
POWER CONNECTOR PLUG		
S-P(B) CONFIGURATION		
R/A, T/H, SCREW-MOUNT		
MOLEX INCORPORATED		
DOCUMENT NO.		SHEET NO.
SD-87667-010		2 OF 3
THIS DRAWING CONTAINS INFORMATION THAT IS PROPRIETARY TO MOLEX INCORPORATED AND SHOULD NOT BE USED WITHOUT WRITTEN PERMISSION		

9 8 7 6 5 4 3 2 1

10		9		8				7			6		5		4		3		2	1
PART NUMBER	S-P CONFIGURATION		DIM A	DIM B	DIM C	DIM D	DIM E	POWER BLADE OPTIONS		STANDARD SIGNAL	RECESSED SIGNAL PIN		VOID PIN LOCATION	PACKAGING						
	SIGNAL	POWER						BETA	TYPE	DIM Z ±0.13/.005	PIN LENGTH	LENGTH			LOCATION					
87667-4002	24	6	69.85 2.750	62.23 2.450	60.96 2.400	34.29 1.350	12.70 .500	SHORT CONTACT	13.32 / .524	5.59 / .220	4.32 / .170	NIL	NIL	TRAY						
87667-4004	16	4	52.07 2.050	44.45 1.750	43.18 1.700	21.59 .850	7.62 .300	LONG CONTACT	14.12 / .556	6.86 / .270	5.59 / .220	A1	NIL	TRAY						
87667-4005	24	6	69.85 2.750	62.23 2.450	60.96 2.400	34.29 1.350	12.70 .500	LONG CONTACT	14.12 / .556	6.86 / .270	5.59 / .220	A1, A2 B1, B2 C1, C2 D1, D2	NIL	TRAY						
87667-4006	24	6	69.85 2.750	62.23 2.450	60.96 2.400	34.29 1.350	12.70 .500	LONG CONTACT	14.12 / .556	6.86 / .270	5.59 / .220	NIL	NIL	TRAY						
87667-4007	24	10	95.25 3.750	87.63 3.450	86.36 3.400	59.69 2.350	12.70 .500	LONG CONTACT	14.12 / .556	6.86 / .270	5.59 / .220	NIL	NIL	TRAY						
87667-4008	24	8	82.55 3.250	74.93 2.950	73.66 2.900	46.99 1.850	12.70 .500	LONG CONTACT	14.12 / .556	6.86 / .270	5.59 / .220	NIL	NIL	TRAY						
87667-4009	24	12	107.95 4.250	100.33 3.950	99.06 3.900	72.39 2.850	12.70 .500	LONG CONTACT	14.12 / .556	6.86 / .270	5.59 / .220	NIL	NIL	TRAY						
87667-4010	24	8	82.55 3.250	74.93 2.950	73.66 2.900	46.99 1.850	12.70 .500	LONG CONTACT	14.12 / .556	6.86 / .270	5.59 / .220	B4	NIL	TRAY						
87667-4011	24	6	69.85 2.750	62.23 2.450	60.96 2.400	34.29 1.350	12.70 .500	LONG CONTACT	14.12 / .556	6.86 / .270	5.59 / .220	A1	NIL	TRAY						
87667-4012	24	6	69.85 2.750	62.23 2.450	60.96 2.400	34.29 1.350	12.70 .500	LONG CONTACT	14.12 / .556	6.86 / .270	5.59 / .220	B4	NIL	TRAY						
87667-4013	20	4	54.61 2.150	46.99 1.850	45.72 1.800	21.59 .850	10.16 .400	LONG CONTACT	14.12 / .556	6.86 / .270	5.59 / .220	A1, A5	A4, B4 C4, D4	TRAY						
87667-4014	20	6	67.31 2.650	59.69 2.350	58.42 2.300	34.29 1.350	10.16 .400	LONG CONTACT	14.12 / .556	6.86 / .270	5.59 / .220	B4	NIL	TRAY						
87667-4015	24	6	69.85 2.750	62.23 2.450	60.96 2.400	34.29 1.350	12.70 .500	LONG CONTACT	14.12 / .556	6.86 / .270	5.59 / .220	A1 B5 C5 D5	NIL	TRAY						



SHORT BLADE OPTION LONG BLADE OPTION

DETAIL R

(SEE TABLE FOR BLADE OPTION)

PDR#S-001643-00-00 EC NO: S2008-0094 DRWNS:KANG CHKD:ATSEE APPR:MLONG	2007/08/17	QUALITY SYMBOLS ▽=0 ▽C=0
	2007/08/17	
2007/08/20	DESCRIPTION	
D5	REV	

GENERAL TOLERANCES (UNLESS SPECIFIED)	
	MM/IN
4 PLACES	± .010 / ± .0004
3 PLACES	± .010 / ± .0004
2 PLACES	± 0.25 / ± .010
1 PLACE	± .010 / ± .0004
ANGULAR ± 3 °	
DRAFT WHERE APPLICABLE MUST REMAIN WITHIN DIMENSIONS	

DIMENSION STYLE	
MM/IN	
DRAWN BY	DATE
BHLOW	2002/11/20
CHECKED BY	DATE
PTL IM	2002/11/26
APPROVED BY	DATE
SKTOH	2002/11/27
MATERIAL NO.	
SEE TABLE	

SCALE	DESIGN UNITS	THIRD ANGLE PROJECTION
NTS	METRIC	
TITLE		
POWER CONNECTOR PLUG		
S-P(B) CONFIGURATION		
R/A, T/H, SCREW-MOUNT		
MOLEX INCORPORATED		
DOCUMENT NO.	SHEET NO.	
SD-87667-010	3 OF 3	
THIS DRAWING CONTAINS INFORMATION THAT IS PROPRIETARY TO MOLEX INCORPORATED AND SHOULD NOT BE USED WITHOUT WRITTEN PERMISSION		