



Part Nos. 1106396 & 1107254 Row-to-Row DIP Adapter Sockets

FEATURES:

- Aries' adapter sockets allow the use of .300 [7.62] center devices when the PCB is drilled on .600 [15.24] centers and vice-versa, giving the flexibility of using .600 [15.24] or .300 [7.62] center devices in the same application.

SPECIFICATIONS:

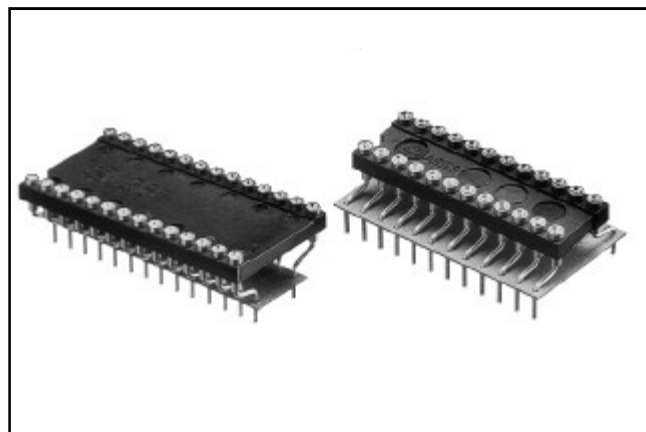
- Socket body is black UL 94-HB Glass-filled Nylon. Consult factory for UL 94V-0 rated material.
- Pin body is Brass Alloy 360 1/2 hard per UNS C36000 ASTM-B16-85.
- Pin body plating is 200µ [1.27µm] min. 93/7 Tin/Lead per MIL-P-81728 over 100µ [2.54µm] min. Nickel per QQ-N-290.
- 4-fingered collet contact is Beryllium Copper Alloy per UNS C17200 ASTM-B194-92.
- Contact plating is 30µ [7.6µm] min. Gold per MIL-G-45204 over 50µ [1.27µm] min. Nickel per QQ-N-290.
- Contact current rating=3 Amps.
- Operating temperature=221°F [105°C].
- Insertion Force=180 grams/pin; Withdrawal Force=90 grams/pin; Normal Force=140 grams/pin; based on a .018 [.46] diameter test lead.
- Accepts leads .015-.025 [.38-.64] in diameter, .110-.150 [2.79-3.81] long.

MOUNTING CONSIDERATIONS:

- Suggested PCB hole size=.035 ± .002 [.89 ± .05] dia.

ALL DIMENSIONS: INCHES [MILLIMETERS]

All tolerances ± .005 [.13] unless otherwise specified



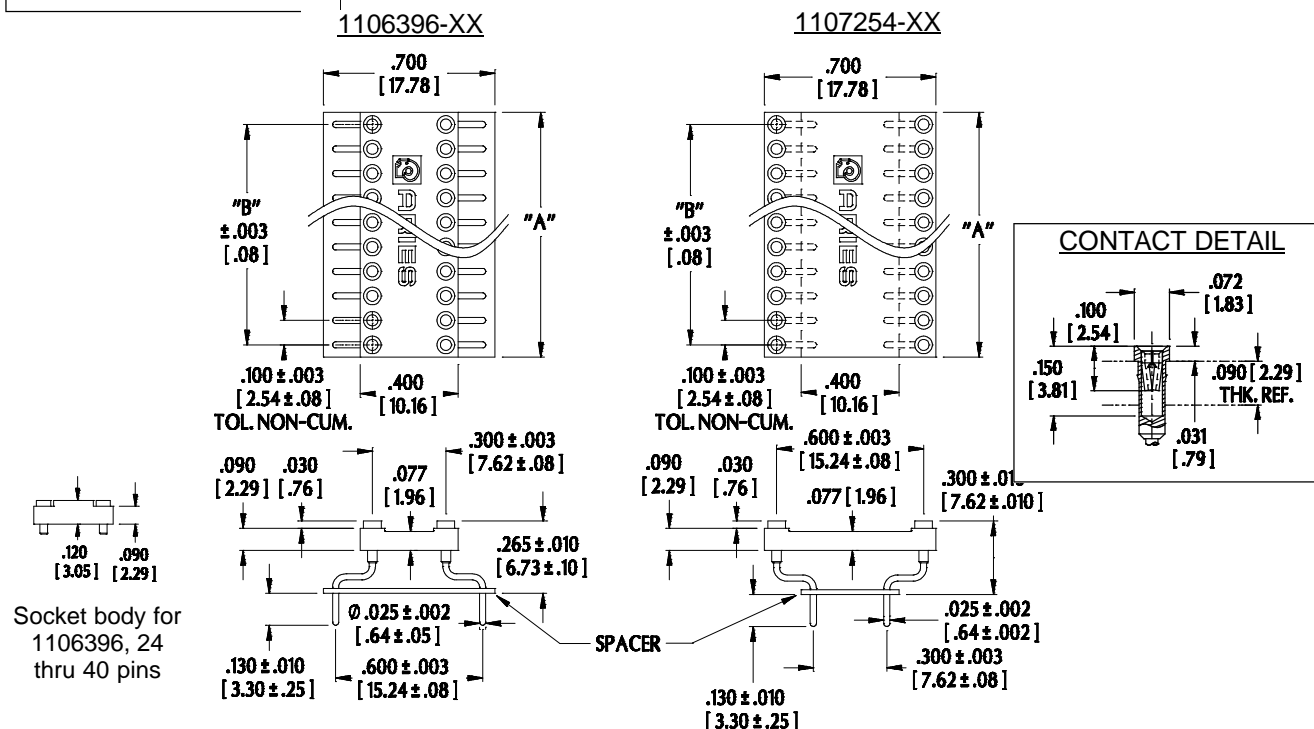
Note: Aries specializes in custom design and production. In addition to the standard products shown on this page, special materials, platings, sizes, and configurations can be furnished, depending on quantities. Aries reserves the right to change product specifications without notice.

ORDERING INFORMATION

Specify Part No. 1106396-XX when ordering .300 DIP to .600 PCB [7.62 to 15.24] adapter, where XX=no. of pins (6 thru 40)

-or-

Specify Part No. 1107254-XX when ordering .600 DIP to .300 PCB [15.24 to 7.62] adapter, where XX=no. of pins (6 thru 40)



ARIES
ELECTRONICS, INC.
http://www.arieselec.com • info@arieselec.com

NORTH AMERICA
Frenchtown, NJ USA
TEL: (908) 996-6841
FAX: (908) 996-3891



EUROPE
TEL: +44 870 240 0249
FAX: +44 871 919 6033
europe@arieselec.com

12030
REV.D