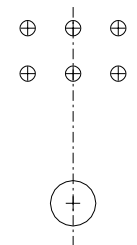
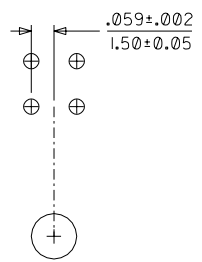
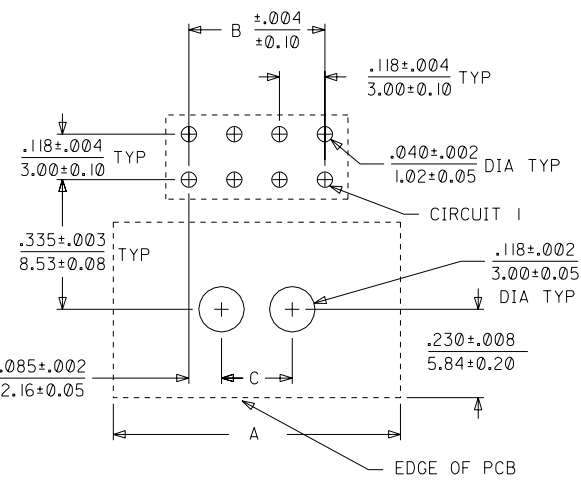
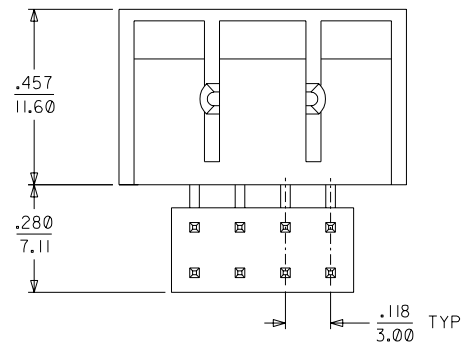


CIRCUIT SIZE	44428		
	A	B	C
04	$\frac{.512}{13.00}$	$\frac{.118}{3.00}$	NA
06	$\frac{.630}{16.00}$	$\frac{.236}{6.00}$	NA
08	$\frac{.748}{19.00}$	$\frac{.354}{9.00}$	$\frac{.184}{4.68}$
10	$\frac{.866}{22.00}$	$\frac{.472}{12.00}$	$\frac{.302}{7.68}$
12	$\frac{.984}{25.00}$	$\frac{.590}{15.00}$	$\frac{.420}{10.68}$
14	$\frac{1.102}{28.00}$	$\frac{.709}{18.00}$	$\frac{.539}{13.68}$
16	$\frac{1.220}{31.00}$	$\frac{.827}{21.00}$	$\frac{.657}{16.68}$
18	$\frac{1.338}{34.00}$	$\frac{.945}{24.00}$	$\frac{.775}{19.68}$
20	$\frac{1.457}{37.00}$	$\frac{1.063}{27.00}$	$\frac{.893}{22.68}$
22	$\frac{1.575}{40.00}$	$\frac{1.181}{30.00}$	$\frac{1.011}{25.68}$
24	$\frac{1.693}{43.00}$	$\frac{1.299}{33.00}$	$\frac{1.129}{28.68}$



NOTES :

- MATERIALS -
HOUSING : NYLON , GLASS-FILLED, UL94V-0 COLOR - BLACK
TERMINAL : BRASS ALLOY
TERMINAL POSITIONING STRIP : MYLAR, COLOR - NATURAL
- FINISH:
A = .000200/(0.0051) TIN OVER .000050/(0.0013) NICKEL.
B = .000015/(0.00038) MIN GOLD IN SELECTIVE AREA;
.000050/(0.0013) MIN TIN-LEAD (90/10) ON SOLDER TAILS
BOTH OVER .000050/(0.0013) NICKEL.
C = .000030/(0.00076) MIN GOLD IN SELECTIVE AREA;
.000050/(0.0013) MIN TIN-LEAD (90/10) ON SOLDER TAILS
BOTH OVER .000050/(0.0013) NICKEL.
- PRODUCT SPECIFICATION : PS-44300
- PACKAGING SPECIFICATION : PK-44428-001
- THIS ASSEMBLY MATES WITH MOLEX BMI PANEL MOUNT RECEPTACLE
(SEE DRAWING SD-44133-001) & FEMALE CRIMP TERMINAL (SEE DRAWING SD-43030-****)

PCB LAYOUT: COMPONENT SIDE
RECOMMENDED PCB THICKNESS .062/1.57
8 THRU 24 CIRCUITS

PCB LAYOUT: COMPONENT SIDE
4 CIRCUIT ONLY

PCB LAYOUT: COMPONENT SIDE
6 CIRCUIT ONLY

REV. TIN PLT & PC	QUALITY SYMBOLS
EC NO. UCP2003-0831	MAJOR
DRWN: MUELLER 02/11/19	CRITICAL
CHK: MUELLER 02/11/19	
APPR: MARGULIS 02/11/19	
D	REV

DESCRIPTION	GENERAL TOLERANCES: (UNLESS SPECIFIED)
	mm INCH
4 PLACES ±0.	±.
3 PLACES ±0.	±.010
2 PLACES ±0.25	±.015
1 PLACE ±0.38	±.
ANGULAR: ±2 °	
DRAFT WHERE APPLICABLE MUST REMAIN WITHIN DIMENSIONS	

SCALE 4 : 1	DESIGN UNITS <input checked="" type="checkbox"/> mm <input type="checkbox"/> INCH
DRAWN BY & DATE MUELLER 99/11/29	
CHECKED BY & DATE MUELLER 99/11/29	
APPROVED BY & DATE R EDGLEY 99/11/30	
CAD FILENAME	

DIMENSIONS: <input type="checkbox"/> mm <input checked="" type="checkbox"/> INCH <input type="checkbox"/> mm ONLY		SHT 2	A
THIRD ANGLE PROJECTION		REV	D
TITLE: MICRO-FIT (3.0) DUAL ROW RIGHT ANGLE BMI HEADER - ASS'Y		REVISE ON CAD ONLY	
MOLEX MOLEX INCORPORATED			
MATERIAL NO. SEE CHART	DRAWING NO. SD-44428-001	SHEET NO. 1 OF 2	
THIS DRAWING CONTAINS INFORMATION THAT IS PROPRIETARY TO MOLEX INCORPORATED AND SHOULD NOT BE USED WITHOUT WRITTEN PERMISSION.		SIZE C	

