

MICRO SWITCH

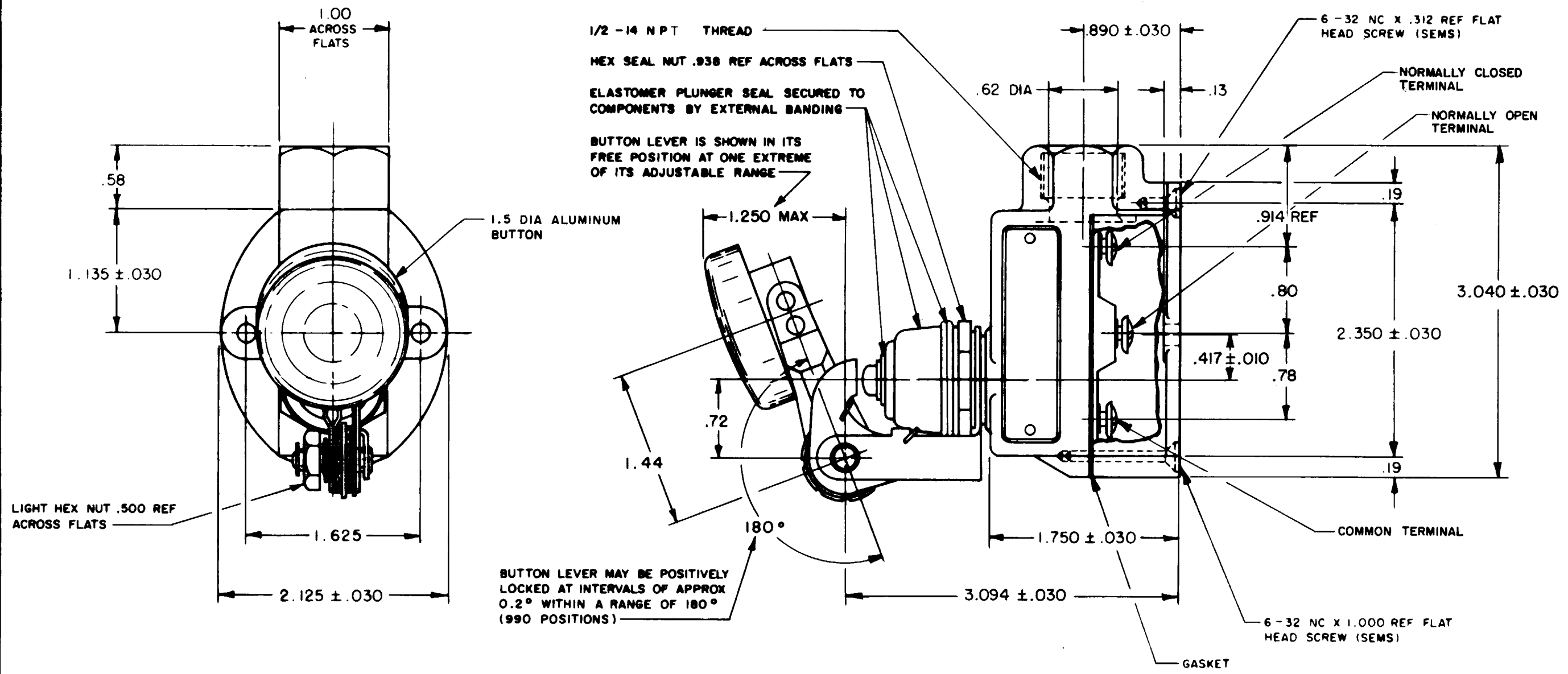
SWITCH - ENCLOSED

CATALOG LISTING
BZV6-2RN4

FED. MFR. CODE 91929

M

M BZV6-2RN4
 DRAWING NUMBER
 X 28
 ISSUE
 X 58
 REVISIONS
 A CO 17653
 JPH 30 JAN 64
 B C030398
 DBW 12 APR 62
 C C053194E
 JAP 2 MAR 84
 D C055989
 CJH 8 NOV 84
 E CO 84956-Q
 T A D 23 SEP 85
 F C072661
 DAW 10 SEP 92
 G CO 77779-C
 MAM 12 MAR 94
 CHECK
 GCH 26 OCT 91
 KLB 125 OCT 61
 DRAWN
 KLB 125 OCT 61



NOTE -

- 1 - 6-32 NC X .219 REF TERMINAL SCREW AND CUPWASHER (3)
- 2 - BUTTON LEVER BRACKET ASSEMBLY MAY BE SET AT ANY POSITION AROUND AXIS OF PLUNGER

THIS DRAWING COVERS A PROPRIETARY ITEM AND IS THE PROPERTY OF MICRO SWITCH, A DIVISION OF MINNEAPOLIS-HONEYWELL REGULATOR CO. THIS DRAWING IS NOT TO BE COPIED OR USED WITHOUT THE APPROVAL OF MICRO SWITCH.		
CHARACTERISTICS	ELECTRICAL DATA	SCALE FULL
OPERATING FORCE ----- 10-20 OZ	CONTACT ARRANGEMENT S P D T	DO NOT SCALE PRINT
RELEASE FORCE ----- 6 OZ MIN	15A-125, 250 OR 480 VAC, 2A-600 VAC -L74- 1/8HP-125 VAC; 1/4HP-250 VAC 1/2A-125 VDC; 1/4A-250 VDC	UNLESS OTHERWISE SPECIFIED DIMENSIONS ARE IN INCHES
PRETRAVEL ----- .188 MAX		TOLERANCES ARE:
DIFFERENTIAL TRAVEL ----- .006 MAX		ONE PLACE (.0) ± .030
OVERTRAVEL ----- .219 MIN		TWO PLACE (.00) ± .018
SWITCH - BASIC REPLACEMENT ----- BZ - 2RN702		THREE PLACE (.000) ± .008
		ANGLES ±
		WEIGHT .76 LB