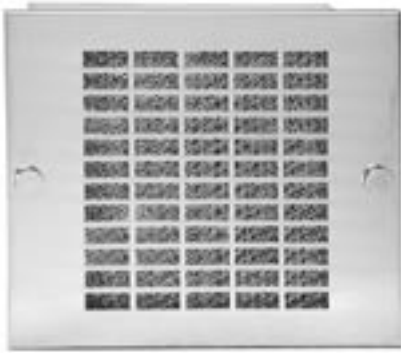


## Filtered Fan Boxes and Filter Grills



Filtered Fan Box



Filter Grill

### Description

- In a typical cooling arrangement, the filtered fan box pulls air into the enclosures and the filter grill is used as an air outlet.
- The washable aluminum filter grill and the air filter are easily accessible and can be removed for cleaning.
- The filtered fan boxes are available in either 115 VAC or 230 VAC, 50/60 Hz.
- Filtered passive ventilation can be provided by an exhaust filter for either convection cooling or in combination with a fan in forced air cooling.

### Standards

- UR/CUR/CE approved fan motors.
- CSA listed on fan only.

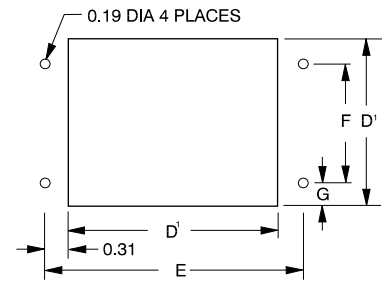
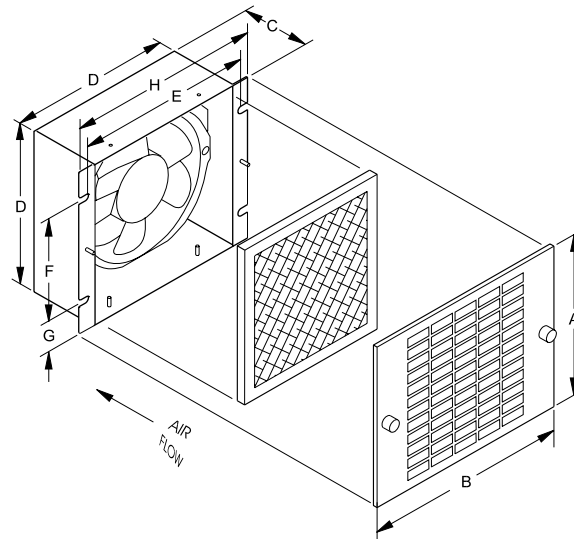
### Features

- 115 VAC or 230 VAC, 50/60 Hz.
- 12" lead wires.
- Exceptionally quiet operation.
- Versatile mounting and adaptability.
- Heavy-gauge steel construction.
- Attractive stainless steel grills.
- Shipped with air flow to pressurize. Can be user modified to exhaust.
- Aluminum filter is coated with adhesive baffle surfaces for dust and dirt collection. Can be recoated after cleaning for optimum performance.
- Drilling template included.
- NOTE: One grill and filter are included with each fan package. Normally, an additional exhaust grill and filter are required for each installation and must be ordered separately.

### Accessories

- Filter coat...see page 413
- Replacement Filter...see page 413

## Filtered Fan Boxes and Filter Grills



**Cutout Detail**

### Filtered Fan Boxes

Part No.	Free Flow Air Delivery		RPM Nominal	Running Amps	Watts	A	B	C	D	D <sup>1</sup>	E	F	G	H	Ship Wt. lbs
	CFM	Volts													
<b>XF4115</b>	105	115	3000	0.18	15	6.13	7.38	2.38	5.63	5.75	6.38	4.13	0.78	7.0	5
<b>XF4230</b>	105	230	3000	0.09	15	6.13	7.38	2.38	5.63	5.75	6.38	4.13	0.78	7.0	5
<b>XF6115</b>	220	115	3300	0.29	33	7.63	8.88	3.00	7.13	7.25	7.88	4.50	1.34	8.5	6
<b>XF6230</b>	220	230	3300	0.15	33	7.63	8.88	3.00	7.13	7.25	7.88	4.50	1.34	8.5	6
<b>XF10115</b>	560	115	1600	0.87	60	11.63	13.00	4.56	11.13	11.25	11.88	6.88	2.16	12.5	12
<b>XF10230</b>	560	230	1600	0.45	60	11.63	13.00	4.56	11.13	11.25	11.88	6.88	2.16	12.5	12

### Exhaust Grill and Filters

Part No	A	B	D	E <sup>1</sup>	F <sup>1</sup>	H <sup>1</sup>
<b>XFG4</b>	6.13	7.38	5.63	6.38	4.13	7.00
<b>XFG6</b>	7.63	8.88	7.13	7.88	4.50	8.50
<b>XFG10</b>	11.63	13.00	11.13	11.88	6.88	12.50

### Replacement Filters

Part No	Pkg. Qty.
<b>XFF4</b>	3
<b>XFF6</b>	3
<b>XFF10</b>	3

<sup>1</sup> Dimension for mounting and cabinet cutout. Secure sheet metal with #8 hardware.

Climate Control



### Filter Coat

- Provides a filter adhesive with a grease-like consistency which absorbs and traps dust particles.
- 10 oz. bottle with environmentally friendly trigger spray.

Part No. **1475Q**